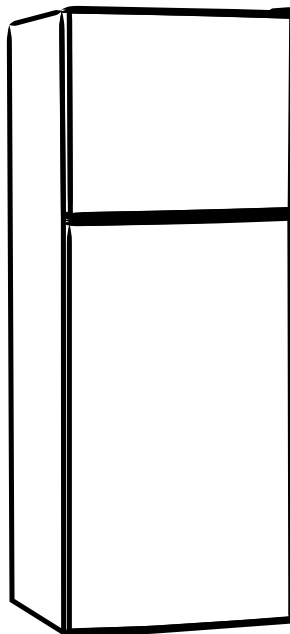


comfee

EN Refrigerator
FR Réfrigérateur
DE Kühlschrank
ES Refrigerador
IT Frigorifero
PT Frigorífico
GR Ψυγείου
CZ Lednička

SK chladnička
HU Hűtőszekrény



RCT284DK2A / RCT284DS2 / RCT284WH2A

Warning:

Before using this product, please read this manual carefully and keep it for future reference. The design and specifications are subject to change without prior notice for product improvement. Consult with your dealer or manufacturer for details.

Contents

1. SAFETY WARNINGS.....	EN-1
2. INSTALLTION	EN-4
2.1 Location	EN-4
2.2 Reversing the Door Swing (optional).....	EN-4
2.3 Door Handle Install Illumination (optional)	EN-9
2.4 Door Space Requirements	EN-9
2.5 Levelling the Unit.....	EN-10
2.6 Cleaning Before Use	EN-10
2.7 Before Using Your Unit	EN-10
2.8 Interior Accessories	EN-11
3. PRODUCT OVERVIEW	EN-11
4. OPERATION	EN-12
4.1 Switching On Your Unit.....	EN-12
4.2 Noise Inside the Unit!	EN-12
4.3 Tips for Keeping Food in the Unit.....	EN-12
4.4 Change the Light Bulb	EN-12
5. CLEANING.....	EN-13
5.1 Defrosting	EN-13
5.2 Cleaning the Interior and the Exterior of the Unit	EN-13
5.3 Cleaning Tips	EN-13
6. MAINTENANCE.....	EN-14
6.1 Changing the Internal Light.....	EN-14
6.2 Care When Handling / Moving Your Unit	EN-14
6.3 Servicing.....	EN-14
6.4 Switching Of for Long Periods of Time	EN-14
7. Trouble shooting	EN-14
7.1 Warm tips:.....	EN-14
8. FOR ENERGY SAVING	EN-15
9. DISPOSAL	EN-15

1. SAFETY WARNINGS



Warning: risk of fire / flammable materials

THIS appliance is intended to be used in household and similar applications such as staff kitchen areas in shops, offices and other working environments; farm houses and by clients in hotels, motels and other residential type environments; bed and breakfast type environments; catering and similar non-retail applications.

THIS appliance is not intended for use by persons (including children) with reduced physical, sensory or mental capabilities, or lack of experience and knowledge, unless they have been given supervision or instruction concerning use of the appliance by a person responsible for their safety.)

Children should be supervised to ensure that they do not play with the appliance.

IF the supply cord is damaged, it must be replaced by the manufacturer, its service agent or similarly qualified persons in order to avoid a hazard.

DO not store explosive substances such as aerosol cans with a flammable propellant in this appliance.

THE appliance has to be unplugged after use and before carrying out user maintenance on the appliance.

WARNING: Keep ventilation openings, in the appliance enclosure or in the built-in structure, clear of obstruction.

WARNING: Do not use mechanical devices or other means to accelerate the defrosting process, other than those recommended by the manufacturer.

WARNING: Do not damage the refrigerant circuit.

WARNING: Do not use electrical appliances inside the food storage compartments of the appliance, unless they are of the type recommended by the manufacturer.

WARNING: Please abandon the refrigerator according to local regulators for its use flammable blowing gas and refrigerant.

WARNING:When positioning the appliance, ensure the supply cord is not trapped or damaged.

WARNING:Do not locate multiple portable socket-outlets or portable power supplies at the rear of the appliance.

DO not use extension cords or ungrounded (two prong) adapters.

DANGER:Risk of child entrapment.Before you throw away your old refrigerator or freezer:

- Take off the doors.
- Leave the shelves in place so that children may not easily climb inside.

THE refrigerator must be disconnected from the source of electrical supply before attempting the installation of accessory.

REFRIGERANT and cyclopentane foaming material used for the appliance are flammable. Therefore, when the appliance is scrapped, it shall be kept away from any fire source and be recovered by a special recovering company with corresponding qualification other than be disposed by combustion, so as to prevent damage to the environment or any other harm.

FOR EN standard: This appliance can be used by children aged from 8 years and above and

persons with reduce physical sensory or mental capabilities or lack of experience and knowledge if they have been given supervision or instruction concerning use of the appliance in a safe way and understand the hazards involved. Children shall not play with the appliance. Cleaning and user maintenance shall not be made by children without supervision. Children aged from 3 to 8 years are allowed to load and unload refrigerating appliances.

The necessity that, for doors or lids fitted with locks and keys, the keys be kept out of the reach of children and not in the vicinity of the refrigerating appliance, in order to prevent children from being locked inside.

TO avoid contamination of food, please respect the following instructions:

- Opening the door for long periods can cause a significant increase of the temperature in the compartments of the appliance.
- Clean regularly surfaces that can come in contact with food and accessible drainage systems.
- Clean water tanks if they have not been used for 48 h; flush the water system connected to a water supply if water has not been drawn for 5 days. (note 1)
- Store raw meat and fish in suitable containers in the refrigerator, so that it is not in contact with or drip onto other food.
- Two-star frozen-food compartments are suitable for storing pre-frozen food, storing or making ice-cream and making ice cubes. (note 2)
- One -, two- and three-star compartments are not suitable for the freezing of fresh food. (note

3) .

- If the refrigerating appliance is left empty for long periods, switch off, defrost, clean, dry, and leave the door open to prevent mould developing within the appliance.

- For appliances without a 4-star compartment: this refrigerating appliance is not suitable for freezing foodstuffs. (note 4)

Note 1,2,3,4: Please confirm whether it is applicable according to your product compartment type.

FOR a freestanding appliance: this refrigerating appliance is not intended to be used as a built-in appliance.

ANY replacement or maintenance of the LED lamps is intended to be made by the manufacturer, its service agent or similar qualified person.

2. INSTALLTION

2.1 Location

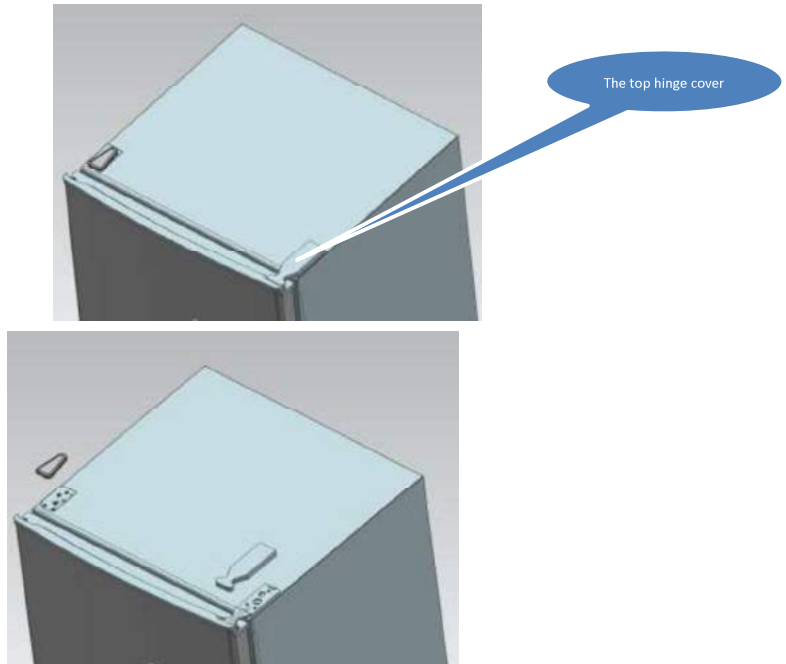
When selecting a position for your unit you should make sure the floor is flat and firm, and the room is well ventilated. Avoid locating your unit near a heat source, e.g. cooker, boiler or radiator. Also avoid direct sunlight as it may increase the electrical consumption. Extreme cold ambient temperatures may also cause the unit not to perform properly. This unit is not designed for use in a garage or outdoor installation. Do not drape the unit with any covering.

When installing the unit, ensure that 10 cm of free space is left at both sides, 10 cm at the rear and 30 cm at the top of the unit. This will allow cold air to circulate around the wine cooler and improve the efficiency of the cooling process.

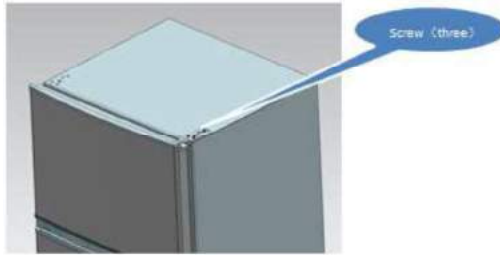
2.2 Reversing the Door Swing (optional)

Tools Required: Phillips style screwdriver / Flat blated screwdriver / Hexagonal spanner

- 1) Remove the top hinge cover .

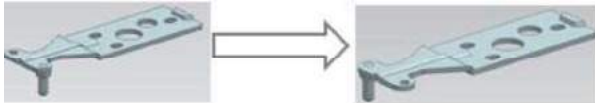


- 2) Remove the screws fixed the top-hinge with cross-slot screwdriver.

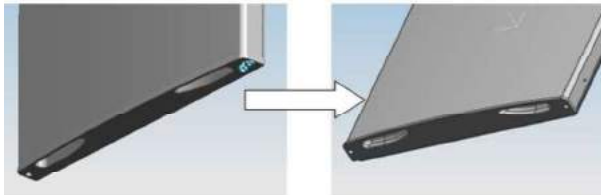


- 3) Replace the top-hinge and the top-door limit block and the door bearing bush to the other side.

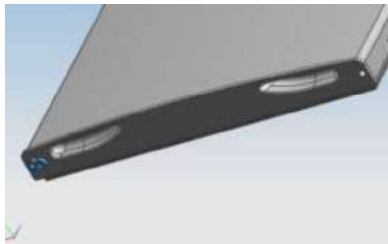
- A. Remove the nut with sleeve. Take off the washer then remove the axes to the other side and fixed.



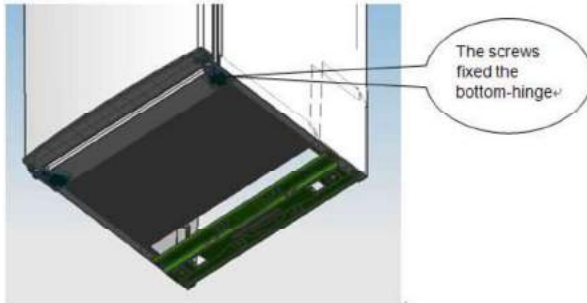
- B. Remove the door limit block



- C. Please taking out another door limit block, with screw mounting to the door

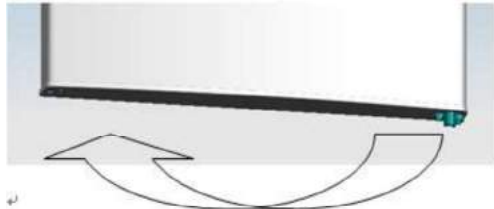


- 4) Disassemble the screws fixed the bottom-hinge with cross-slot screwdriver .

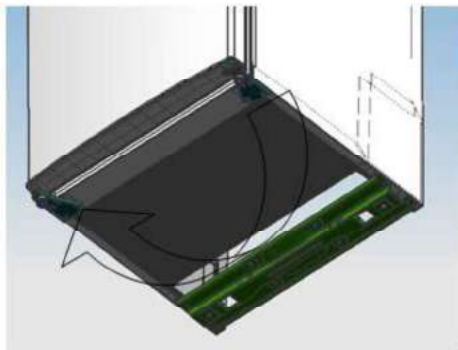


Note: the refrigerator-freezer incline angle less 45° .

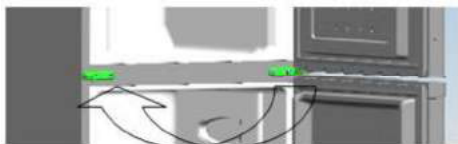
- 5) Replace the bottom door bearing bush and the limit block.



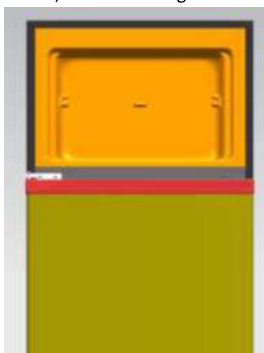
- 6) Replace the bottom hinge to the other side then fix it with screws.



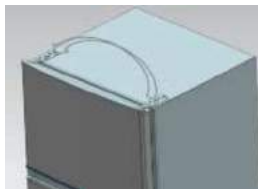
- 7) Replace the mid-hinge.



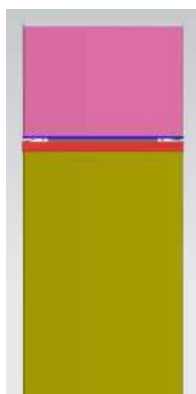
- 8) Set the bottom door right position, fix the mid-hinge.



- 9) Replace the top-hinge.



- 10) Set the top door right position, fix the top-hinge and the cover.



- 11) Install the four screw caps and two catches to corresponding position.
 - Ensure the Appliance is unplugged and empty.
 - Adjust the two leveling feet to their highest position.
 - We recommend you have someone to assist you.
- 12) replace the leveler to the other side and adjust it to make sure the cabinet level.



*The picture above is only for reference. The actual configuration will depend on the physical product or statement by the distributor

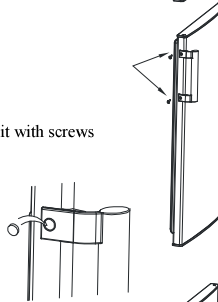
2.3 Door Handle Install Illumination (optional)

Note: Figures in the user manual are only for reference. The actual product may differ slightly. The refrigerator must be disconnected from the source of electrical supply before attempting the installation of accessory.

Step 1: take out two plug pins from the door (Side of door open)



Step 2: Install the door handle to the door and fasten it with screws



Step 3: Cover screw caps of the handle into screw holes

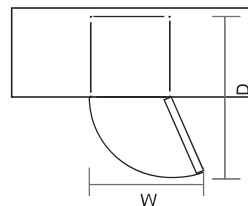


*The picture above is only for reference. The actual configuration will depend on the physical product or statement by the distributor

2.4 Door Space Requirements

The unit's door must be able to open fully as shown.

$W \times D \geq 902 \times 1052\text{mm}$

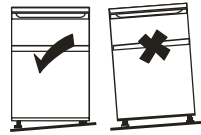


2.5 Levelling the Unit

To do this adjust the two levelling feet at the front of the unit. If the unit is not level, the door and magnetic seal alignments will not be covered properly.

Make sure that the foot touches the ground before use.

Look down from the top, clockwise and counterclockwise loosening, tightening.



2.6 Cleaning Before Use

Wipe the inside of the unit with a weak solution of bicarbonate soda. Then rinse with warm water using a 'Wrung-out' sponge or cloth. Wash the shelves and salad bin in warm soapy water and dry completely before replacing in the unit. Clean the exterior of the unit with a damp cloth. If you require more information refer to the Cleaning section.

2.7 Before Using Your Unit

Do not damage the power cord under any condition so as to ensure safety use, do not use when the power cord is damaged or the plug is worn.

Do not put flammable, explosive, volatile and highly corrosive items in the refrigerator to prevent damages to the product or fire accidents.

Do not place flammable items near the refrigerator to avoid fires.

This product is household refrigerators and shall be only suitable for the storage of foods. According to national standards, household refrigerators shall not be used for other purposes, such as storage of blood, drugs or biological products.

Do not place items such as bottled or sealed container of fluid such as bottled beers and beverages in the freezer to prevent bursts and other losses.

Before placing any food in your unit, turn it on and wait for 24 hours, to make sure it is working properly and to allow it time to fall to the correct temperature. Your unit should not be overfilled.



◆ Before Plugging in

You must check that you have a socket which is compatible with the plug supplied with the unit.

◆ Before Turning On!

Do not turn on until two hours after moving the unit.

2.8 Interior Accessories

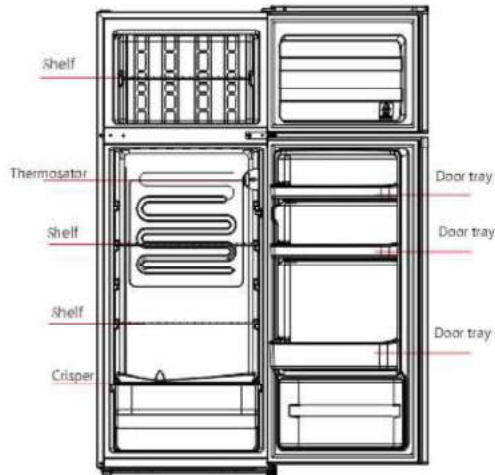
Various glass or plastic storage shelves are included with your appliance - different models have different combinations.

You should always slide one of the full size glass storage shelves into the lowest set of guides, above the fruit and vegetable containers, and keep it in this position. To do this, pull the storage shelf forward until it can be swivelled upwards or downwards and removed.

Please do the same in reverse to insert the shelf at a different height.

! In order to make the most of the volume of the fresh food storage compartment and frozen-food storage compartment, the user can remove one or more shelves, drawers, out of the appliance, according to your daily use.

3. PRODUCT OVERVIEW



Drawers, food boxes, shelves, etc. placed according to the position in the picture above are the most energy efficient.

*The picture above is only for reference. The actual configuration will depend on the physical product or statement by the distributor

4. OPERATION

4.1 Switching On Your Unit

Setting “Off”: UnitOff

Setting “Min”: Less Cool Temperature

Setting “Med” or “MID”: Normal Operation(adequate for most situations)

Setting “Max”: Coolest Temperature

◆ During high ambient temperatures e.g. on hot summer days. It may be necessary to set the thermostat to the Coolest setting(position“Max”).This may cause the compressor running continuously in order to maintain a low temperature in the cabinet.

◆ For the first time you install your refrigerator, set the thermostat knob at “Med”.

Give your refrigerator time to cool down completely before adding food. It is the best to wait 24 hours before adding food. The thermostat knob controls the temperature. When the thermostat control knob is set to OFF, the refrigerator will not be running.

4.2 Noise Inside the Unit!

You may notice that your unit makes some unusual noises. Most of these are perfectly normal, but you should be aware of them!

These noises are caused by the circulation of the refrigerant liquid in the cooling system. It has become more pronounced since the introduction of CFC free gases. This is not a fault and will not affect the performance of your unit. This is the compressor motor working, as it pumps the refrigerant around the system.

4.3 Tips for Keeping Food in the Unit

- ◆ Cooked meats/fishes should always be stored on a shelf above raw meats/fishes to avoid bacterial transfer. Keep raw meats/fishes in a container which is large enough to collect juices and cover it properly. Place the container on the lowest shelf.
- ◆ Leave space around your food, to allow air to circulate inside the unit. Ensure all parts of the unit are kept cool.
- ◆ To prevent transfer of flavours and drying out, pack or cover the food separately. Fruit and vegetables do not need to be wrapped.
- ◆ Always let pre-cooked food cool down before you put in the unit. This will help to maintain the internal temperature of the unit.
- ◆ To prevent cold air escaping from the unit, try to limit the number of times you open the door. We recommend that you only open the door when you need to put food in or take food out.

4.4 Change the Light Bulb

Lamp replacement by professionals

5. CLEANING

5.1 Defrosting

NOTE THIS UNIT DOES NOT HAVE AN AUTO DEFROST SYSTEM.

Please use a plastic ice shovel when clearing the frosting of the evaporator. Do not use metal sharp objects.

5.2 Cleaning the Interior and the Exterior of the Unit

- ◆ Dusts behind the refrigerator and on the ground shall be timely cleaned to improve the cooling effect and energy saving.
- ◆ Check the door gasket regularly to make sure there are no debris. Clean the door gasket with a soft cloth dampened with soapy water or diluted detergent.
- ◆ The interior of the refrigerator should be cleaned regularly to avoid odor.
- ◆ Please turn off the power before cleaning interior, remove all foods, drinks ,shelves, drawers, etc.
- ◆ Use a soft cloth or sponge to clean the inside of the refrigerator, with two tablespoons of baking soda and a quart of warm water. Then rinse with water and wipe clean. After cleaning, open the door and let it dry naturally before turning on the power.
- ◆ For areas that are difficult to clean in the refrigerator (such as narrow sandwiches, gaps or corners), it is recommended to wipe them regularly with a soft rag, soft brush, etc. and when necessary, combined with some auxiliary tools (such as thin sticks) to ensure no contaminants or bacterials accumulation in these areas.
- ◆ Do not use soap, detergent, scrub powder, spray cleaner, etc., as these may cause odors in the interior of the refrigerator or contaminated food.
- ◆ Clean the bottle frame, shelves and drawers with a soft cloth dampened with soapy water or diluted detergent. Dry with a soft cloth or dry naturally.
- ◆ Wipe the outer surface of the refrigerator with a soft cloth dampened with soapy water, detergent, etc., and then wipe dry.
- ◆ Do not use hard brushes, clean steel balls, wire brushes, abrasives(such as toothpastes), organic solvents (such as alcohol, acetone, banana oil, etc.), boiling water, acid or alkaline items, which may damage the fridge surface and interior. Boiling water and organic solvents such as benzene may deform or damage plastic parts.
- ◆ Do not rinse directly with water or other liquids during cleaning to avoid short circuits or affect electrical insulation after immersion.

5.3 Cleaning Tips

Condensation may appear on the outside of the unit. This may be due to a change in room temperature. Wipe of any moisture residue. If the problem continues, please contact a qualified technician for assistance.

6. MAINTENANCE

6.1 Changing the Internal Light

Lamp replacement by professionals.

6.2 Care When Handling / Moving Your Unit

Hold the unit around its sides or base when moving it. Under no circumstances should it be lifted by holding the edges of the top surface.

6.3 Servicing

The unit should be serviced by an authorized engineer and only genuine spare parts should be used. Under no circumstances should you attempt to repair the unit yourself. Repairs carried out by inexperienced persons may cause injury or serious malfunction. Contact a qualitatively technician.

6.4 Switching Of for Long Periods of Time

When the unit is not in use for a long period of time, disconnect it from the mains supply, empty all food and clean the appliance, leaving the door ajar to prevent unpleasant smells.

7. Trouble shooting

The following simple issues can be handled by the user. Please call the after-sale service department if the issues are not settled.

Inoperation	Whether the freezer is plugged and connected to power; Low voltage; Failure power or tripping circuit
Odor	Odorous foods should closely wrapped; Whether foods are rotten; Whether the interior shall be cleaned.
Long-term operation of compressor	It is normal that refrigerator operates for longer time in summer when the ambient temperature is higher; Do not put too much food in the freezer at one time; Do not put foods until they are cooled; Frequent opening of refrigerator door.
Illuminating light does not shine	Whether the refrigerator is connected to power, whether the illuminating light is damaged.
The refrigerator door can not be properly closed.	The freezer door is stuck by food packages; Too much food; Tilt refrigerator.
Loud noises	Whether the food is leveled, whether the refrigerator is balanced; Whether the refrigerator parts are properly placed.

7.1 Warm tips:

◆The refrigerator enclosure may emit heat during operation specially in summer, this is caused by the radiation of the condenser, and it is a normal phenomenon.

◆Condensation: condensation phenomenon will be detected on the exterior surface and door seals of the freezer when the ambient humidity is large, this is a normal phenomenon, and the condensation can be wiped away with a dry towel.

◆ Buzz: Buzz will be generated by running compressor specially when starting up or shutting down.

8. FOR ENERGY SAVING

Warning for energy

1) Refrigerating appliances might not operate consistently (possibility of defrosting of contents or temperature becoming too warm in the frozen food compartment) when sited for an extended period of time below the cold end of the range of temperatures for which the refrigerating appliance is designed.

2) The fact that effervescent drinks should not be stored in food freezer compartments or cabinets or in low-temperature compartments or cabinets, and that some products such as water ices should not be consumed too cold;

3) The need to not exceed the storage time(s) recommended by the food manufacturers for any kind of food and particularly for commercially quick-frozen food in food-freezer and frozen-food storage compartments or cabinets;

4) The precautions necessary to prevent an undue rise in the temperature of the frozen food while defrosting the refrigerating appliance, such as wrapping the frozen food in several layers of newspaper.

5) The fact that a rise in temperature of the frozen food during manual defrosting, maintenance or cleaning could shorten the storage life.

9. DISPOSAL

Old units still have some residual value. An environmentally friendly method of disposal will ensure that valuable raw materials can be recovered and used again. The refrigerant used in your unit and insulation materials require special disposal procedures. Ensure that none of the pipes on the back of the unit are damaged prior to disposal. Up to date information concerning options of disposing of your old unit and packaging from the new one can be obtained from your local council office.

When disposing of an old unit break of any old locks or latches and remove the door as a safeguard.

Correct Disposal of this product



Correct Disposal of this product

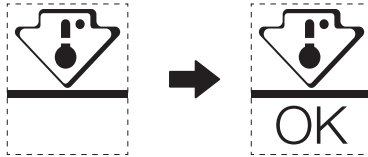
This marking indicates that this product should not be disposed with other household wastes throughout the EU. To prevent possible harm to the environment or human health from uncontrolled waste disposal, recycle it responsibly to promote the sustainable reuse of material resources. To return your used device, please use the return and collection systems or contact the retailer where the product was purchased. They can take this product for environmental safe recycling.

For more information, please contact the local authority or your retailer where you purchased the product.

Coldest zone in the refrigerator

OPTIONAL: OK-temperature indicator

- The OK-temperature indicator can be used to determine temperatures below +4°C. Gradually reduce the temperature if the sign does not indicate "OK".



- To ensure the temperature in this area, do not change the positioning of the shelf. In forced air refrigerators (equipped with a fan or No Frost models), the symbol of the coldest zone is not represented because the temperature inside is homogeneous.

Temperature indicator setting

- To help you set your refrigerator well, it is equipped with a temperature indicator that will monitor the average temperature in the coldest zone.
- **WARNING:** This indicator is intended to work only with your refrigerator, do not use it in another refrigerator (in fact, the coldest zone is not the same), or for any other use.

Checking the temperature in the coldest zone

- With the temperature indicator, you can check regularly that the temperature of the coldest zone is correct. Indeed, the internal temperature of the refrigerator depends on several factors such as the ambient temperature of the room, the amount of food stored and the frequency of door opening. Take these factors into consideration when setting the device.
- When the indicator shows « OK », this means that your thermostat is well adjusted and the internal temperature correct.
- If the indicator of temperature turns **WHITE**, this means that the temperature is too high; in this case, increase the refrigerator temperature control setting and wait for 12 hours before performing a new visual inspection of the indicator. When fresh food has been introduced or the door has been left open, it is possible for the indicator of temperature to turn **WHITE** after a while.

Table 1 Climate classes

Class	Symbol	Ambient temperature range °C
Extended temperate	SN	+ 10 to + 32
Temperate	N	+ 16 to + 32
Subtropical	ST	+ 16 to + 38
Tropical	T	+ 16 to + 43

Extended temperate: 'this refrigerating appliance is intended to be used at ambient temperatures ranging from 10 °C to 32 °C';

temperate: 'this refrigerating appliance is intended to be used at ambient temperatures ranging from 16 °C to 32 °C';

Subtropical: 'this refrigerating appliance is intended to be used at ambient temperatures ranging from 16 °C to 38 °C';

Tropical: 'this refrigerating appliance is intended to be used at ambient temperatures ranging from 16 °C to 43 °C';

The ordered parts in the following table can be acquired from channel:

Ordered Part	Provided by	Minimum Time Required for Provision
thermostats	Professional maintenance personnel	At least 7 years after the last model is launched on the market
temperature sensors	Professional maintenance personnel	At least 7 years after the last model is launched on the market
printed circuit boards	Professional maintenance personnel	At least 7 years after the last model is launched on the market
light sources	Professional maintenance personnel	At least 7 years after the last model is launched on the market
door handles	Professional repairers and final users	At least 7 years after the last model is launched on the market
door hinges	Professional repairers and final users	At least 7 years after the last model is launched on the market
trays	Professional repairers and final users	At least 7 years after the last model is launched on the market
baskets	Professional repairers and final users	At least 7 years after the last model is launched on the market
door gaskets	Professional repairers and final users	At least 10 years after the last model is launched on the market

Dear customer

1. If you want to return or replace the product, please contact the store where you buy.
(Remember to bring the purchase invoice)
2. If your product breaks down which needs to be repaired, please contact after-sales service provider.

Sommaire

1.	AVERTISSEMENTS DE SÉCURITÉ	FR-1
2.	INSTALLTION	FR-3
2.1	EMPLACEMENT	FR-3
2.2	INVERSION DE L'ORIENTATION DE LA PORTE (FACULTATIVE)	FR-3
2.3	ÉCLAIRAGE D'INSTALLATION DE LA POIGNÉE DE PORTE (EN OPTION)	FR-8
2.4	EXIGENCES D'ESPACES DE PORTE	FR-9
2.5	MISE À NIVEAU DE L'APPAREIL	FR-9
2.6	NETTOYAGE AVANT UTILISATION	FR-9
2.7	AVANT D'UTILISER L'APPAREIL	FR-9
2.8	ACCESSOIRES INTÉRIEURS	FR-10
3.	PRÉSENTATION DU PRODUIT	FR-10
4.	UTILISATION	FR-11
4.1	ALLUMER L'APPAREIL	FR-11
4.2	BRUIT À L'INTÉRIEUR DE L'APPAREIL !	FR-11
4.3	CONSEILS POUR CONSERVER LES ALIMENTS DANS L'APPAREIL	FR-11
4.4	CHANGEZ L'AMPOULE	FR-11
5.	NETTOYAGE	FR-12
5.1	DÉCONGÉLATION	FR-12
5.2	NETTOYAGE DE L'INTÉRIEUR ET DE L'EXTÉRIEUR DE L'APPAREIL	FR-12
5.3	CONSEILS DE NETTOYAGE	FR-12
6.	ENTRETIEN	FR-13
6.1	CHANGEMENT DE L'AMPOULE INTERNE	FR-13
6.2	PRÉCAUTIONS LORS DE LA MANIPULATION/DU DÉPLACEMENT DE VOTRE APPAREIL	FR-13
6.3	RÉPARATION	FR-13
6.4	ARRÊT POUR DE LONGUES PÉRIODES	FR-13
7.	DÉPANNAGE	FR-13
7.1	CONSEILS RELATIFS À LA CHALEUR :	FR-14
8.	POUR ÉCONOMISER DE L'ÉNERGIE	FR-14
9.	MISE AU REBUT	FR-14

1. AVERTISSEMENTS DE SÉCURITÉ



Avertissement : risque d'incendie/matières inflammables

CET appareil est conçu pour un usage domestique et autres utilisations similaires, telles que espaces cuisine dans des magasins, bureaux et autres environnements de travail ; exploitations agricoles et par les clients d'hôtels, motels et d'autres types de résidences ; chambres d'hôtes ; restaurants et autres lieux similaires.

CET appareil n'est pas destiné à être utilisé par des personnes (y compris des enfants) dont les capacités physiques, sensorielles ou mentales sont diminuées, ou qui ne disposent pas des connaissances ou de l'expérience nécessaires, à moins qu'elles n'aient été formées et encadrées pour l'utilisation de cet appareil par une personne responsable de leur sécurité.

Les enfants doivent être surveillés afin qu'ils ne puissent pas jouer avec cet appareil.

POUR éviter tout risque, faites remplacer le cordon d'alimentation endommagé par le fabricant, un agent agréé ou une personne qualifiée.

NE stockez pas dans cet appareil de substances explosives telles que bombes aérosols avec un agent propulseur inflammable.

L'APPAREIL doit être débranché après utilisation et avant d'effectuer tout entretien.

AVERTISSEMENT : N'obstruez pas les ouvertures de ventilation, dans l'enceinte de l'appareil ou dans la structure intégrée.

AVERTISSEMENT : N'utilisez pas d'appareils mécaniques ou d'autres moyens pour accélérer le processus de dégivrage, autres que ceux recommandés par le fabricant.

AVERTISSEMENT : Évitez d'endommager le circuit frigorifique.

AVERTISSEMENT : N'utilisez pas d'appareils électriques à l'intérieur des compartiments de stockage des aliments de l'appareil, sauf s'ils sont du type recommandé par le fabricant.

AVERTISSEMENT : Jetez le réfrigérateur selon la réglementation locale car il utilise un gaz de soufflage inflammable et un réfrigérant.

AVERTISSEMENT : Lors du positionnement de l'appareil, assurez-vous que le cordon d'alimentation n'est pas coincé ou endommagé.

AVERTISSEMENT : Ne placez pas plusieurs prises de courant ou blocs d'alimentation portables à l'arrière de l'appareil.

N'UTILISEZ pas de rallonges ou d'adaptateurs non mis à la terre (deux fils).

DANGER : Risque pour les enfants de s'y coincer. Avant de mettre au rebut votre ancien réfrigérateur ou congélateur:

- Enlevez les portes.
- Laissez les étagères en place afin que les enfants ne puissent pas facilement grimper à l'intérieur.

LE réfrigérateur doit être débranché avant toute installation d'un accessoire.

LE réfrigérant et le produit moussant au cyclopentane utilisés dans l'appareil sont inflammables. Ainsi, lorsque l'appareil est mis au rebut, il doit être éloigné de toute source d'incendie et être collecté par une entreprise de récupération spéciale avec une qualification correspondante plutôt qu'éliminé par incinération, afin de prévenir tout dommage surtout à l'environnement.

POUR la norme EN : Cet appareil peut être utilisé par des enfants de moins de 8 ans ainsi que par des personnes ayant des capacités corporelles, sensorielles ou mentales restreintes ou manquant de connaissances ou d'expériences si elles sont surveillées ou formées sur l'utilisation sûre de l'appareil et sont conscientes des risques encourus. Les enfants ne doivent pas jouer avec l'appareil. Le nettoyage et la maintenance de l'utilisateur ne doivent pas être effectués par les enfants sans supervision. Les enfants âgés de 3 à 8 ans sont autorisés à charger et décharger les appareils de réfrigération.

Pour les portes et couvercles équipés de serrures et clés, ces derniers doivent être gardées hors de la portée des enfants et non à proximité du réfrigérateur, afin d'éviter que les enfants ne soient enfermés à l'intérieur.

IL faut respecter les instructions suivantes pour éviter toute contamination des aliments :

- L'ouverture prolongée de la porte peut entraîner une augmentation importante de la température dans les compartiments de l'appareil.
- Nettoyez régulièrement les surfaces pouvant entrer en contact avec les aliments et les systèmes de drainage accessibles.
- Nettoyez les réservoirs d'eau s'ils n'ont pas été utilisés pendant 48 h ; rincez le système d'eau raccordé à une alimentation en eau si l'eau n'a pas été prélevée pendant 5 jours. (Remarque 1)
- Conservez la viande et le poisson crus dans des récipients appropriés dans le réfrigérateur, afin qu'ils ne soient pas en contact avec d'autres aliments et ne coulent pas dessus.
- Les compartiments pour aliments surgelés à deux étoiles conviennent au stockage des aliments précongelés, au stockage ou à la fabrication de glaces et à la fabrication de glaçons. (Remarque 2)
- Les compartiments à une -, deux - ou trois étoiles ne conviennent pas pour la congélation d'aliments frais. (Remarque 3).
- Si l'appareil frigorifique va être laissé vide pendant de longues périodes, il faut l'éteindre, le dégivrer, le nettoyer, le sécher et laissez la porte ouverte pour éviter la formation de moisissures à l'intérieur.
- Pour les appareils sans compartiment 4 étoiles : ce réfrigérateur n'est pas adapté à la congélation de denrées alimentaires. (Remarque 4)

Remarque 1, 2, 3, 4 : Veuillez confirmer s'il est applicable selon votre type de compartiment de produit.

Pour un appareil autonome : ce réfrigérateur n'est pas destiné à être encastré.

TOUT remplacement ou entretien des lampes LED doit être effectué par le fabricant, son agent de service ou une personne qualifiée similaire.

2. INSTALLTION

2.1 Emplacement

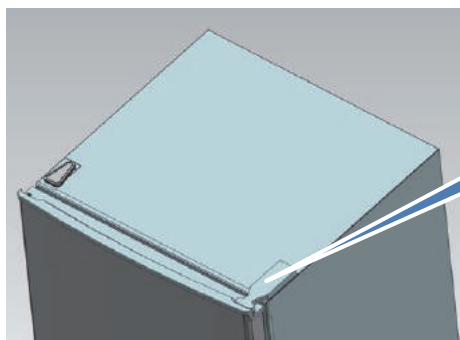
Placez votre appareil dans une pièce bien ventilée sur sol plat et solide. Évitez de placer votre appareil à proximité d'une source de chaleur, par ex. cuisinière, chaudière ou radiateur. Évitez également la lumière directe du soleil car cela peut augmenter la consommation électrique. Des températures ambiantes extrêmement froides peuvent également empêcher l'appareil de fonctionner correctement. Cet appareil n'est pas conçu pour être utilisé dans un garage ou une installation extérieure. Ne couvrez l'appareil avec un objet.

Lors de l'installation de l'appareil, veillez à ce que l'espace libre des deux côtés est de 10 cm, 10 cm à l'arrière et 30 cm en haut. Cela permettra à l'air froid de circuler autour du refroidisseur de vin et d'améliorer l'efficacité du processus de refroidissement.

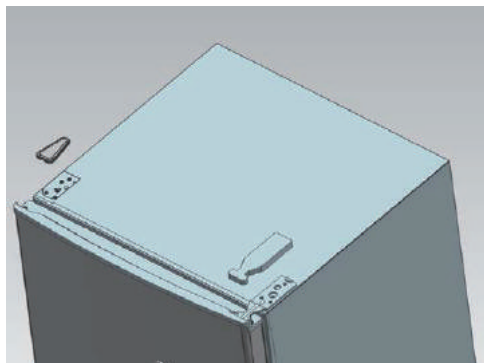
2.2 Inversion de l'orientation de la porte (facultative)

Outils nécessaires : Tournevis cruciforme/tournevis plat/clé hexagonale

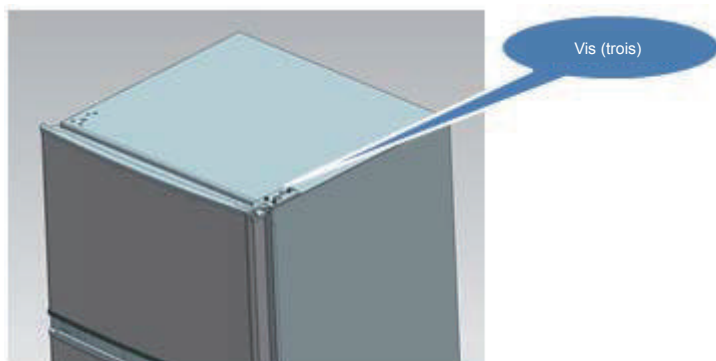
- 1) Retirez le couvercle à charnière.



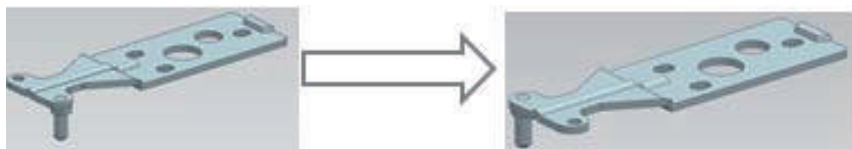
Le couvercle à charnière supérieur.



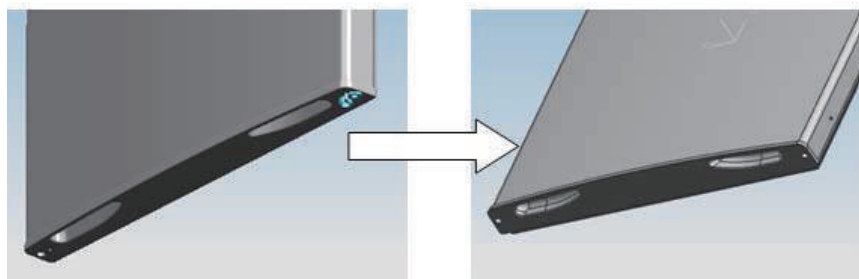
2) Retirez les vis de fixation de la charnière supérieure avec un tournevis cruciforme.



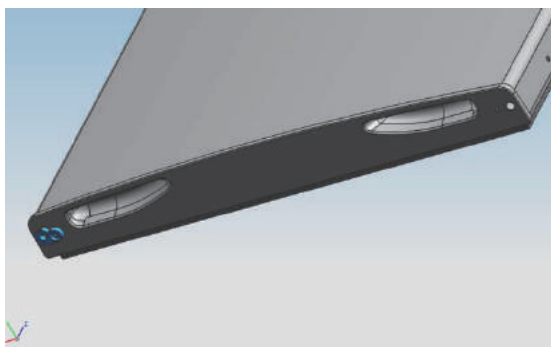
3) Placez la charnière et l'arrêt de porte supérieure et la bague de roulement de porte de l'autre côté.
A. Retirez l'écrou avec le manchon, enlevez la rondelle, puis les axes vers l'autre côté et fixez-les.



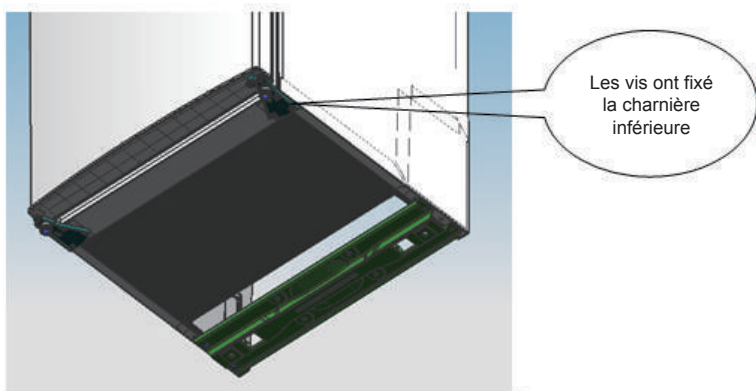
B. Retirer l'arrêt de porte



C. Retirez un autre arrêt de porte, avec fixation à vis sur la porte

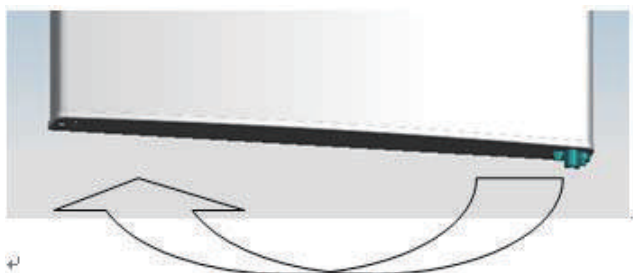


- 4) Démontez les vis fixant la charnière inférieure avec un tournevis à fente transversale.

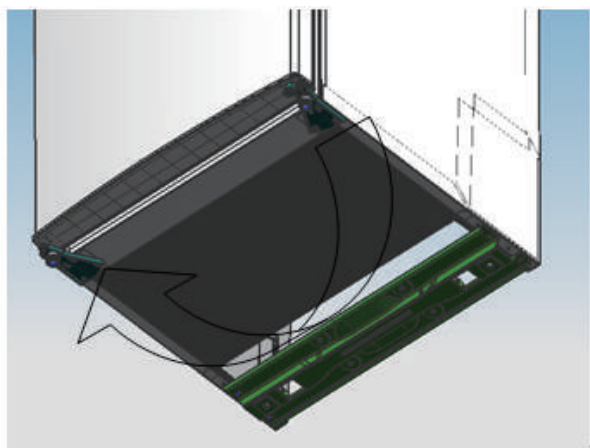


Remarque : l'angle d'inclinaison du réfrigérateur-congélateur est inférieur à 45°.

- 5) Remplacez le coussinet de la porte inférieure et le bloc de fin de course.



- 6) Remettez la charnière inférieure de l'autre côté et la fixer avec des vis.



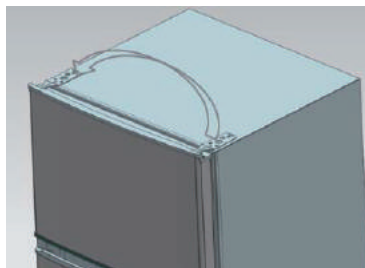
7) Remplacez la charnière centrale.



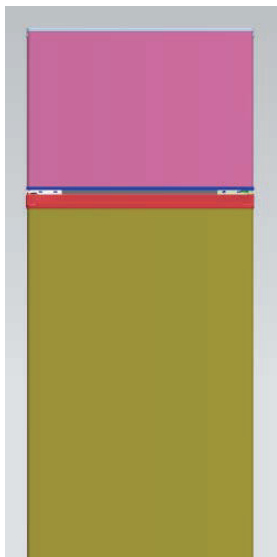
8) Placez la porte inférieure en position droite, fixez la charnière centrale.



9) Remettez la charnière supérieure en place.



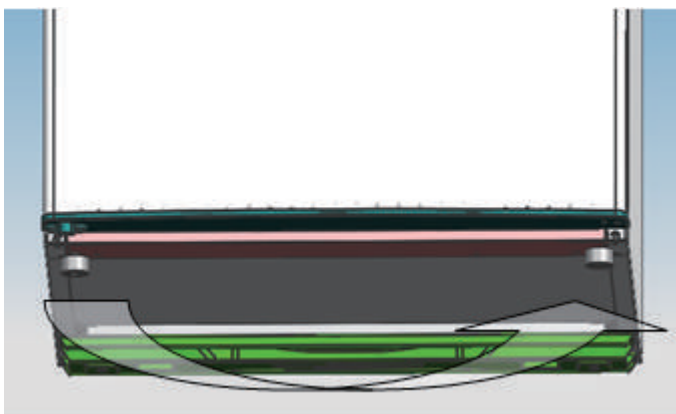
10) Réglez la porte supérieure à la bonne position, fixez la charnière supérieure et le couvercle.



11) Installez les quatre bouchons à vis et les deux loquets dans la position correspondante.

- Assurez-vous que l'appareil est débranché et vide.
- Réglez les deux pieds réglables à leur position la plus haute.
- Nous vous recommandons de vous faire aider par quelqu'un.

12) remettez le niveleur de l'autre côté et l'ajuster pour vous assurer que l'armoire est de niveau.



*L'image ci-dessus est donnée uniquement à titre de référence. La configuration réelle dépendra du produit physique ou de la déclaration du distributeur

2.3 Éclairage d'installation de la poignée de porte (en option)

Remarque : Les images contenues dans ce manuel ne sont fournies qu'à titre de référence. Le produit réel peut être légèrement différent.

Le réfrigérateur doit être débranché avant toute installation d'un accessoire.

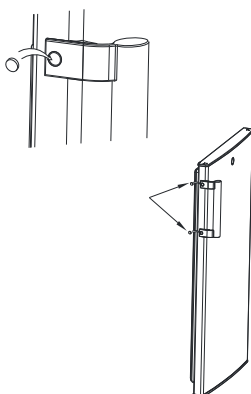
Étape 1 : retirez les deux broches de la porte (côté porte ouverte)



Étape 2 : Installez la poignée sur la porte et la fixer avec des vis



Étape 3 : Couvrez les capuchons à vis de la poignée dans les trous de vis

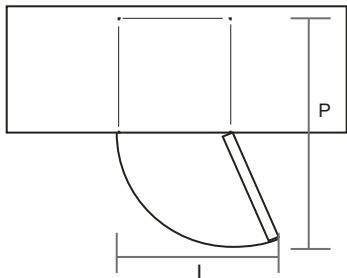


*L'image ci-dessus est donnée uniquement à titre de référence. La configuration réelle dépendra du produit physique ou de la déclaration du distributeur

2.4 Exigences d'espaces de porte

La porte de l'appareil doit pouvoir s'ouvrir complètement comme illustré.

$L \times P \geq 902 \times 1052 \text{ mm}$



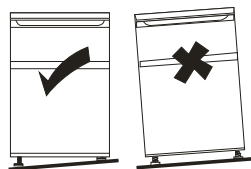
2.5 Mise à niveau de l'appareil

Pour cela, ajustez les deux pieds de nivellement situés à l'avant de l'appareil.

Si l'appareil n'est pas de niveau, les alignements de la porte et du joint magnétique ne seront pas correctement couverts.

Assurez-vous que les pieds touchent le sol avant utilisation.

Regardez du haut, dans le sens horaire et dans le sens antihoraire, en desserrant et en serrant.



2.6 Nettoyage avant utilisation

Essayez l'intérieur de l'appareil avec une solution faible de bicarbonate de soude. Rincez ensuite à l'eau tiède à l'aide d'une éponge ou d'un chiffon « essoré »S. Lavez les étagères et le bac à salade dans de l'eau chaude savonneuse et les sécher complètement avant de les remettre dans l'appareil. Nettoyez l'extérieur de l'appareil avec un chiffon humide.

Pour plus d'informations, reportez-vous à la section Nettoyage.

2.7 Avant d'utiliser l'appareil

Veillez à ne pas endommager le cordon d'alimentation afin d'assurer la sécurité, et n'utilisez pas l'appareil lorsque le cordon d'alimentation est endommagé ou sa fiche usée.

Ne placez pas d'objets inflammables, explosifs, volatils et hautement corrosifs dans le congélateur pour éviter de l'endommager ou provoquer un incendie.

Ne placez pas d'objets inflammables près du congélateur pour éviter tout incendie.

Ce produit est un congélateur domestique et ne convient que pour le stockage d'aliments. Selon les normes nationales, le congélateur ménager ne doit pas être utilisé à d'autres fins, telles que le stockage de sang, de médicaments ou de produits biologiques.

Ne placez pas d'aliments liquides en bouteille ou en récipients scellés tels que de la bière en bouteille et des boissons dans le congélateur pour éviter des éclats et autres pertes.

Avant de placer des aliments dans votre appareil, l'allumer et attendre 24 heures pour vous assurer qu'il fonctionne correctement et lui laisser le temps de rester à la bonne température. Il ne faut pas trop remplir l'appareil.



◆ Avant de brancher !

Vous devez vérifier que vous disposez d'une prise compatible avec la fiche fournie avec l'appareil.

◆ Avant d'allumer l'appareil !

N'allumez pas l'appareil avant deux heures après l'avoir déposé.

2.8 Accessoires intérieurs

Diverses étagères de rangement en verre ou en plastique sont fournies avec votre appareil - les différents modèles présentent différentes combinaisons.

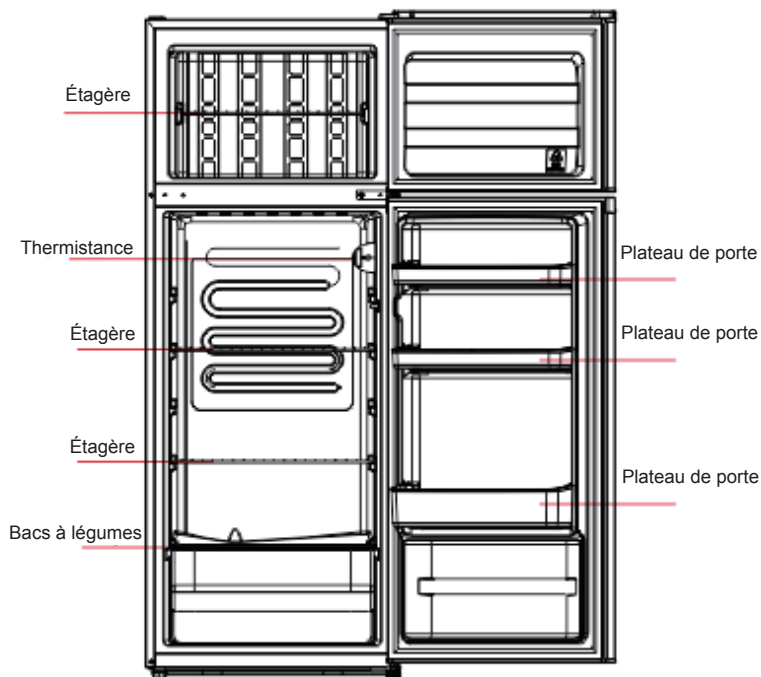
Vous devez toujours faire glisser l'une des étagères de rangement en verre pleine largeur dans le jeu de guides le plus bas, au-dessus des bacs à fruits et légumes, et la maintenir dans cette position. Pour ce faire, tirez la tablette de rangement vers l'avant jusqu'à ce qu'elle puisse pivoter vers le haut ou vers le bas et sortir.

Veillez répéter la procédure dans le sens inverse pour insérer l'étagère à une hauteur différente.



Afin d'exploiter au mieux le volume du compartiment de stockage des aliments frais et du compartiment de stockage des aliments congelés, l'utilisateur peut retirer une ou plusieurs étagères et tiroirs de l'appareil, en fonction de son utilisation quotidienne.

3. PRÉSENTATION DU PRODUIT



La position des tiroirs, boîtes à aliments, étagères, etc. placés selon le schéma de l'image ci-dessus est la plus économique en énergie.

*L'image ci-dessus est donnée uniquement à titre de référence. La configuration réelle dépendra du produit physique ou de la déclaration du distributeur

4. UTILISATION

4.1 ALLUMER L'APPAREIL

Réglage « Off » : Arrêt de l'appareil

Réglage « Min » : Température plus froide

Réglage « Med » ou « MID » : Fonctionnement normal (adéquat pour la plupart des situations)

Réglage « Max » : Température la plus froide

- ◆ Lors de températures ambiantes élevées, par ex. lors des chaudes journées d'été. Il vaut mieux régler le thermostat sur la position la plus froide (« Max »). Cela peut entraîner le fonctionnement continu du compresseur afin de maintenir une faible température à l'intérieur.
- ◆ La première fois que vous installez votre réfrigérateur, réglez le bouton du thermostat sur « Med ».

Laissez à votre congélateur le temps de se refroidir complètement avant d'ajouter des aliments. Il est préférable d'attendre 24 heures avant d'ajouter des aliments. Le bouton du thermostat contrôle la température. Lorsque le bouton de commande du thermostat est réglé sur OFF, le réfrigérateur ne fonctionne pas.

4.2 Bruit à l'intérieur de l'appareil !

Vous remarquerez peut-être que votre appareil émet des bruits inhabituels. La plupart d'entre eux sont parfaitement normaux, mais vous devez en être informé !

Ces bruits sont dus à la circulation du liquide réfrigérant dans le système de refroidissement. Il est devenu plus prononcé depuis l'introduction des gaz sans CFC. Ceci est tout à fait normal et n'affecte pas les performances de l'appareil. C'est le moteur du compresseur qui fonctionne, et pompe le réfrigérant autour du système.

4.3 Conseils pour conserver les aliments dans l'appareil

- ◆ Les viandes/poissons cuits doivent toujours être stockés sur une étagère au-dessus des viandes/poissons crus pour éviter le transfert de bactéries. Conservez les viandes/poissons crus en le recouvrant correctement dans un récipient suffisamment grand pour recueillir le jus. Placez le récipient sur l'étagère la plus basse.
- ◆ Laissez de l'espace autour de vos aliments pour permettre à l'air de circuler à l'intérieur de l'appareil. Assurez-vous que toutes les pièces de l'appareil sont maintenues froides.
- ◆ Pour éviter le transfert des saveurs et le dessèchement, enveloppez ou couvrez les aliments séparément. Les fruits et légumes n'ont pas besoin d'être emballés.
- ◆ Laissez toujours refroidir les aliments précuits avant de les mettre dans l'appareil. Cela aide à maintenir la température interne de l'appareil.
- ◆ Pour éviter que de l'air froid ne s'échappe de l'appareil, essayez de limiter le nombre d'ouvertures de la porte. Il est recommandé d'ouvrir la porte uniquement lorsque vous avez besoin de mettre ou de retirer des aliments.

4.4 Changez l'ampoule

Remplacement de la lampe par des professionnels

5. NETTOYAGE

5.1 Décongélation

NOTEZ QUE CET APPAREIL N'EST PAS ÉQUIPÉ D'UN SYSTÈME DE DÉGIVRAGE AUTOMATIQUE.

Veuillez utiliser une pelle à glace en plastique pour dégager le givre de l'évaporateur. N'utilisez pas d'objets métalliques pointus.

5.2 Nettoyage de l'intérieur et de l'extérieur de l'appareil

- ◆ La poussière derrière le congélateur et au sol doit être nettoyée en temps opportun pour améliorer l'effet de refroidissement et l'économie d'énergie.
- ◆ Vérifiez régulièrement le joint du congélateur armoire pour s'assurer qu'il n'y a pas de débris. Nettoyez le joint de la porte avec un chiffon doux imbibé d'eau savonneuse ou de détergent dilué.
- ◆ L'intérieur du congélateur doit être nettoyé régulièrement pour éviter toute odeur.
- ◆ Il faut éteindre l'appareil avant de nettoyer l'intérieur, retirer tous les aliments, boissons, étagères, tiroirs, etc.
- ◆ Utilisez un chiffon doux ou une éponge pour nettoyer l'intérieur du congélateur avec une solution de deux cuillères à soupe de bicarbonate de soude et un litre d'eau tiède. Rincez ensuite à l'eau puis essuyez. Après le nettoyage, ouvrez la porte et laissez sécher à l'air libre avant de brancher l'appareil.
- ◆ Pour les zones difficiles à nettoyer dans le congélateur (telles que espaces étroits, trous et coins), il est recommandé de les essuyer régulièrement avec un chiffon doux, une brosse douce, etc. et si nécessaire, combiné avec certains outils auxiliaires (tels que bout de bois mince) pour éviter toute accumulation de contaminants ou de bactéries dans ces zones.
- ◆ N'utilisez pas de savon, détergent, poudre à récurer, nettoyant en vaporisateur, etc., car ils peuvent laisser des odeurs à l'intérieur du congélateur ou des aliments contaminés.
- ◆ Nettoyez les bouteilles, étagères et tiroirs avec un chiffon doux imbibé d'eau savonneuse ou de détergent dilué. Séchez avec un chiffon doux ou laissez sécher naturellement.
- ◆ Nettoyez la surface extérieure du congélateur avec un chiffon doux imbibé d'eau savonneuse ou de détergent, puis l'essuyer.
- ◆ N'utilisez pas de brosses dures, de billes de nettoyage en acier, de brosses métalliques, d'abrasifs (tels que dentifrice), de solvants organiques (tels qu'alcool, acétone, huile de banane, etc.), de l'eau bouillante, des produits acides ou alcalins, qui peuvent endommager la surface et l'intérieur du congélateur. L'eau bouillante et les solvants organiques tels que le benzène peuvent déformer ou endommager les pièces en plastique.
- ◆ Ne rincez pas directement avec de l'eau ou d'autres liquides pendant le nettoyage pour éviter les courts-circuits ou affecter l'isolation électrique après immersion.

5.3 Conseils de nettoyage

De la condensation peut apparaître à l'extérieur de l'appareil. Cela peut être dû à un changement de température ambiante. Essuyez tout résidu d'humidité. Si le problème persiste, veuillez contacter un technicien qualifié pour obtenir de l'aide.

6. ENTRETIEN

6.1 Changement de l'ampoule interne

Remplacement de la lampe par des professionnels.

6.2 Précautions lors de la manipulation/du déplacement de votre appareil

Tenez l'appareil sur ses côtés ou sa base lorsque vous le déplacez. En aucun cas, il ne doit être soulevé en tenant les bords de la surface supérieure.

6.3 Réparation

L'appareil doit être réparé par un technicien agréé et seules des pièces de rechange d'origine doivent être utilisées. En aucune circonstance, ne tentez jamais de réparer l'appareil par vous-même. Les réparations effectuées par des personnes inexpérimentées peuvent entraîner des blessures ou de graves dysfonctionnements. Contactez un technicien qualifié.

6.4 Arrêt pour de longues périodes

Lorsque l'appareil n'est pas utilisé pendant une longue période, le débrancher du secteur, videz tous les aliments et nettoyez l'appareil en laissant la porte entrouverte pour éviter les odeurs désagréables.

7. Dépannage

Les problèmes simples suivants peuvent être traités par l'utilisateur. Appelez le service après-vente si des problèmes ne sont pas réglés.

Ne marche pas	Vérifiez si le congélateur est branché et raccordé au secteur Tension faible Panne de courant ou déclenchement du circuit.
Odeur	Les aliments susceptibles d'émettre des odeurs doivent être bien enveloppés Vérifiez si les aliments sont pourris Vérifiez si l'intérieur doit être nettoyé.
Le compresseur a fonctionné pendant une longue période	Il est normal que le congélateur fonctionne plus longtemps en été car la température ambiante est plus élevée Ne mettez pas trop d'aliments dans le congélateur à la fois Ne mettez pas les aliments tant qu'ils ne soient refroidis Ouverture fréquente de la porte du congélateur.
La lampe ne s'allume pas	Vérifiez si le congélateur est branché, si la lumière d'éclairage est endommagée.
La porte du congélateur ne peut pas être correctement fermée.	La porte du congélateur est coincée par des aliments Trop d'aliments Incline le congélateur.
Bruits forts	Si les aliments sont nivelés, si le congélateur est équilibré Si les pièces du réfrigérateur sont correctement placées.

7.1 Conseils relatifs à la chaleur :

- ◆ L'enceinte du congélateur peut émettre de la chaleur pendant le fonctionnement surtout en été, cela est causé par le rayonnement du condenseur, cela est un phénomène normal.
- ◆ Condensation : un phénomène de condensation est détecté sur la surface extérieure et les joints de porte du congélateur lorsque l'humidité ambiante est importante, c'est un phénomène normal, et la condensation peut être essuyée avec une serviette sèche.
- ◆ Buzz : Un vrombissement sera généré lors du fonctionnement du compresseur surtout au démarrage ou à l'arrêt.

8. POUR ÉCONOMISER DE L'ÉNERGIE

Avertissements liés à l'énergie

- 1) Les appareils frigorifiques peuvent ne pas fonctionner de manière cohérente (possibilité de décongélation du contenu ou température trop élevée dans le compartiment pour aliments surgelés) lorsqu'ils sont installés pendant une longue période à une température inférieure à la plus faible de température de la plage pour laquelle il est conçu.
- 2) Le fait que les boissons effervescentes ne doivent pas être stockées dans des compartiments ou armoires de congélation des aliments ou dans des compartiments ou armoires à basse température, et que certains produits tels que les glaces ne doivent pas être consommés trop froids
- 3) La nécessité de ne pas dépasser la durée de conservation recommandée par les fabricants de tout type de denrées alimentaires et en particulier pour les denrées surgelées commercialement dans les compartiments ou armoires de stockage des aliments surgelés du congélateur
- 4) Les précautions nécessaires pour empêcher une élévation indue de la température de l'aliment congelé lors de la décongélation du réfrigérateur, telle que l'emballage de l'aliment surgelé dans plusieurs couches de papier journal.
- 5) Une élévation de la température des aliments surgelés pendant la décongélation manuelle, l'entretien ou le nettoyage pourrait réduire la durée de conservation.

9. MISE AU REBUT

Les anciens appareils ont encore une certaine valeur. Une méthode d'élimination respectueuse de l'environnement garant que les matières premières précieuses pourront être récupérées et réutilisées. Les fluides frigorigènes utilisés dans votre appareil et les matériaux isolants nécessitent des procédures d'élimination spéciales. Assurez-vous qu'aucun des tuyaux à l'arrière de l'appareil n'est endommagé avant la mise au rebut. Des informations à jour concernant les options d'élimination de votre ancien appareil et de l'emballage du nouveau peuvent être obtenues auprès de votre mairie.

Lors de la mise au rebut d'un ancien appareil, brisez les anciennes serrures ou loquets et retirez la porte par mesure de sécurité.

Mise au rebut appropriée de l'appareil



Mise au rebut appropriée de l'appareil

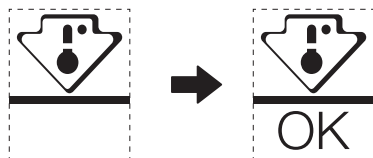
Ce symbole indique que ce produit ne doit pas être mis au rebut avec d'autres déchets ménagers dans toute l'UE. Pour éviter tout effet nocif sur l'environnement et la santé humaine d'une mise au rebut incontrôlée des déchets, il faut penser au recyclage de ce produit de manière responsable pour promouvoir la réutilisation durable des ressources matérielles. Pour retourner votre appareil usagé, utilisez les systèmes de retour et de collecte ou contactez le revendeur où le produit a été acheté. Ils peuvent reprendre ce produit pour un recyclage sans danger pour l'environnement.

Pour plus d'informations, contactez les autorités locales ou votre revendeur auprès duquel vous avez acheté le produit.

Zone la plus froide du réfrigérateur

EN OPTION : Indicateur OK - température

- L'indicateur OK - température peut être utilisé pour déterminer les températures inférieures à +4°C. Réduisez progressivement la température si le signe n'indique pas « OK ».



- Pour garantir la température dans cette zone, ne modifiez pas le positionnement de l'étagère. Pour les réfrigérateurs à air pulsé (équipés d'un ventilateur ou les modèles sans givre), le symbole de la zone la plus froide n'est pas représenté car la température intérieure est homogène.

Réglage de l'indicateur de température

- Pour vous aider à bien régler votre réfrigérateur, celui-ci est équipé d'un indicateur de température qui surveille la température moyenne de la zone la plus froide.
- **AVERTISSEMENT** : Cet indicateur est destiné à fonctionner uniquement avec votre réfrigérateur, ne l'utilisez pas dans un autre réfrigérateur (en effet, la zone la plus froide n'est pas la même), ou pour toute autre utilisation.

Vérification de la température de la zone la plus froide

- Grâce à l'indicateur de température, vous pouvez vérifier régulièrement que la température de la zone la plus froide est correcte. En effet, la température interne du réfrigérateur dépend de plusieurs facteurs tels que la température ambiante de la pièce, la quantité d'aliments stockés et la fréquence d'ouverture de la porte. Prenez ces facteurs en considération lors du réglage de l'appareil.
- Lorsque l'indicateur affiche « OK », cela signifie que votre thermostat est bien réglé et que la température interne est correcte.
- Si l'indicateur de température devient BLANC, cela signifie que la température est trop élevée ; dans ce cas, augmentez le réglage de la commande de température du réfrigérateur et attendez 12 heures avant de procéder à une nouvelle inspection visuelle de l'indicateur. Si des aliments frais ont été introduits ou que la porte est restée ouverte, il est possible que l'indicateur de température devienne BLANC après un certain temps.

Tableau 1 Classes climatiques

Classe	Symbole	Plage de température de fonctionnement °C
Tempéré étendu	SN	+10 à +32
Tempéré	N	+16 à +32
Subtropical	ST	+16 à +38
Tropical	T	+16 à +43

Tempéré étendu : « Ce réfrigérateur est destiné à être utilisé à des températures ambiantes comprises entre 10°C et 32°C »

Tempéré : « Ce réfrigérateur est destiné à être utilisé à des températures ambiantes comprises entre 16 C et 32°C »

Subtropical : « Ce réfrigérateur est destiné à être utilisé à des températures ambiantes comprises entre 16 C et 38 C »

Tropical : « Ce réfrigérateur est destiné à être utilisé à des températures ambiantes comprises entre 16 C et 43 C »

Les pièces commandées dans le tableau suivant peuvent être acquises à partir du canal :

Pièce commandée	Fourni par	Temps minimum requis pour la fourniture
Thermostat	Personnel professionnel de maintenance	Au moins 7 ans après le lancement du dernier modèle sur le marché
Capteurs de température	Personnel professionnel de maintenance	Au moins 7 ans après le lancement du dernier modèle sur le marché
Cartes de circuit imprimé	Personnel professionnel de maintenance	Au moins 7 ans après le lancement du dernier modèle sur le marché
Sources de lumière	Personnel professionnel de maintenance	Au moins 7 ans après le lancement du dernier modèle sur le marché
Poignées de porte	Réparateurs professionnels et utilisateurs finaux	Au moins 7 ans après le lancement du dernier modèle sur le marché
Charnières de porte	Réparateurs professionnels et utilisateurs finaux	Au moins 7 ans après le lancement du dernier modèle sur le marché
Tiroirs	Réparateurs professionnels et utilisateurs finaux	Au moins 7 ans après le lancement du dernier modèle sur le marché
Paniers	Réparateurs professionnels et utilisateurs finaux	Au moins 7 ans après le lancement du dernier modèle sur le marché
Joint d'étanchéité de la porte	Réparateurs professionnels et utilisateurs finaux	Au moins 10 ans après le lancement du dernier modèle sur le marché

Cher client,

1. Pour retourner ou remplacer le produit, il faut d'abord contacter le magasin où vous l'avez acheté. (N'oubliez pas de joindre la facture d'achat)
2. Si votre produit tombe en panne et doit être réparé, il faut contacter le service après-vente.

Inhaltsverzeichnis

1.	SICHERHEITSHINWEISE.....	DE-1
2.	MONTAGE.....	DE-3
2.1	AUFSTELLEN	DE-3
2.2	TÜRANSCHLAG WECHSELN (OPTIONAL)	DE-3
2.3	MONTAGE DES TÜRGRIFFS (OPTIONAL)	DE-8
2.4	PLATZBEDARF DER TÜR	DE-9
2.5	GERÄT NIVELLIEREN	DE-9
2.6	REINIGUNG VOR GEBRAUCH	DE-9
2.7	BEVOR SIE IHR GERÄT BENUTZEN	DE-9
2.8	INNENRAUM-ZUBEHÖR	DE-10
3.	PRODUKTÜBERSICHT	DE-10
4.	BEDIENUNG	DE-11
4.1	GERÄT EINSCHALTEN	DE-11
4.2	GERÄUSCHE IM INNEREN DES GERÄTS!	DE-11
4.3	TIPPS ZUR AUFBEWAHRUNG VON LEBENSMITTELN IM GERÄT	DE-11
4.4	GLÜHBIRNE AUSTAUSCHEN	DE-11
5.	REINIGUNG	DE-12
5.1	ABTAUEN	DE-12
5.2	INNENRAUM UND AUßENSEITE DES GERÄTS REINIGEN	DE-12
5.3	REINIGUNGSTIPPS	DE-12
6.	WARTUNG	DE-13
6.1	INNENBELEUCHTUNG AUSTAUSCHEN.....	DE-13
6.2	VORSICHT BEI HANDHABUNG/TRANSPORT DES GERÄTS	DE-13
6.3	WARTUNGSARBEITEN	DE-13
6.4	AUSSCHALTEN ÜBER LANGE ZEITRÄUME	DE-13
7.	PROBLEMBEHEBUNG.....	DE-13
7.1	TIPPS BEI HITZE:.....	DE-14
8.	ENERGIESPARTIPPS.....	DE-14
9.	ENTSORGUNG.....	DE-14

1. SICHERHEITSHINWEISE



Warnung : Brandgefahr/Entflammbare Materialien

DIESES Gerät ist für die Verwendung bestimmt in: Haushalten und ähnlichen Anwendungen wie Mitarbeiter- Küchenbereiche in Geschäften, Büros und anderen Arbeitsumgebungen; Landwirtschaftshäusern und durch Kunden in Hotels, Motels und anderen Wohnumgebungen; Umgebungen in der Art wie Frühstückspensionen; Gastronomie und ähnlichen Nicht-Einzelhandelsanwendungen.

DIESES Gerät ist nicht dafür bestimmt, durch Personen (einschließlich Kinder) mit eingeschränkten physischen, sensorischen oder geistigen Fähigkeiten oder unzureichenden Erfahrungen oder ohne Erfahrung und Wissen benutzt zu werden, es sei denn, sie werden durch eine für ihre Sicherheit zuständige Person beaufsichtigt oder haben von ihr Anleitungen zur Benutzung des Geräts erhalten.

Kinder müssen beaufsichtigt werden, um sicherzustellen, dass sie nicht mit dem Gerät spielen.

WENN das Stromkabel beschädigt wurde, muss dieses entweder vom Hersteller, einem autorisierten Servicecenter oder ähnlich qualifiziertem Personal ausgetauscht werden, um Unfällen vorzubeugen.

LAGERN Sie keine explosiven Objekte wie Aerosoldosen, die brennbare Treibmittel enthalten, in diesem Gerät.

DAS Gerät muss nach der Benutzung sowie vor der Ausführung von Wartungsarbeiten vom Stromnetz getrennt werden.

WARNUNG: Blockieren Sie nicht die Lüftungsöffnungen am Gehäuse des Geräts oder den geräteinternen Strukturen.

WARNUNG: Verwenden Sie keine anderen als die vom Hersteller empfohlenen mechanischen Geräte oder Mittel, um den Abtauprozess zu beschleunigen.

WARNUNG: Beschädigen Sie nicht den Kühlmittelkreislauf.

WARNUNG: Verwenden Sie keine elektrischen Geräte in der Gefriertruhe, sofern sie nicht durch den Hersteller empfohlen werden.

WARNUNG: Bitte entsorgen Sie die Gefriertruhe entsprechend den örtlichen Vorschriften für Geräte zurück, die brennbare Treibgase und Kühlmittel enthalten.

WARNUNG: Vergewissern Sie sich beim Aufstellen des Geräts, dass das Netzkabel weder eingeklemmt noch beschädigt ist.

WARNUNG: Legen oder hängen Sie keine Mehrfachverteilersteckdosen oder Netzteile hinter das Gerät.

VERWENDEN Sie weder Verlängerungskabel noch nicht geerdete (zweipolige) Netzadapter.

GEFAHR: Es besteht ein Risiko, dass sich die Kinder einsperren. Bevor Sie Ihren alten Kühlschrank oder Gefrierschrank wegwerfen, nehmen Sie Folgendes vor:

- Bauen Sie die Tür ab.
- Lassen Sie Körbe eingebaut, damit Kinder nicht so einfach hineinklettern können.

DER Kühlschrank muss vor dem Einbau von Zubehör von seiner Stromversorgung getrennt werden.

KÄLTEMITTEL und Cyclopentan-Schaumstoffmaterialien, die in diesem Gerät zum Einsatz kommen, sind brennbar. Aus diesem Grund muss bei der Entsorgung des Geräts darauf geachtet werden, dass es von Wärmequellen ferngehalten und die Entsorgung durch eine Fachrecyclingfirma mit den entsprechenden Qualifikationen für eine Entsorgung außer durch Verbrennung vorgenommen wird, um Schäden an der Umwelt sowie weiteren Schäden vorzubeugen.

FÜR EN-Standard: Dieses Gerät kann von Kindern ab 8 Jahren und Personen mit eingeschränkten physischen, sensorischen oder geistigen Fähigkeiten oder unzureichenden Erfahrungen und Kenntnissen benutzt werden, wenn sie beaufsichtigt werden oder sie in die sichere Benutzung des Gerätes eingewiesen worden sind und die mit der Benutzung verbundenen Gefahren verstehen. Kinder dürfen nicht mit dem Gerät spielen. Reinigung und Benutzerwartung dürfen von Kindern nicht ohne Beaufsichtigung durchgeführt werden. Kinder im Alter von 3 bis 8 Jahren dürfen Lebensmittel/Getränke in das Kühlgerät legen/stellen und aus dem Kühlgerät herausnehmen.

Es ist notwendig, dass die Schlüssel für Türen oder Deckel mit Schlössern außerhalb der Reichweite von Kindern und nicht in der Nähe des Kühlgeräts aufbewahrt werden, um einem Eingeschlossen werden der Kinder im Inneren des Kühlgeräts vorzubeugen.

BITTE folgen Sie nachfolgenden Anleitungen, um einer Verschmutzung der Nahrungsmittel vorzubeugen:

- Durch eine für längere Zeit geöffnete Gefriertruhe kann die Temperatur in den Fächern des Geräts merklich ansteigen.
- Reinigen Sie regelmäßig alle Oberflächen, die in Kontakt mit Nahrungsmitteln und dem Wasserablaufsystem kommen.
- Reinigen Sie den Wassertank, wenn er für mehr als 48 Stunden nicht benutzt wurde. Spülen Sie das an eine Wasserversorgung angeschlossene Wassersystem durch, wenn es für mehr als 5 Tage kein Wasser gezogen hat. (Hinweis 1)
- Bewahren Sie rohes Fleisch und Fisch in der Gefriertruhe in geeigneten Behältern auf, sodass sie nicht auf andere Nahrungsmittel tropfen oder mit anderen Nahrungsmitteln in Kontakt kommen können.
- Zwei-Sterne--Gefrierfächer sind geeignet, um Gefriergut aufzubewahren, Eiscreme aufzubewahren oder herzustellen und Eiswürfel herzustellen. (Hinweis 2)
- Ein-Stern-, Zwei-Sterne- und Drei-Sterne-Fächer sind nicht geeignet, um frische Nahrungsmittel einzufrieren. (Hinweis 3).
- Wenn Sie das Kühlgerät für einen längeren Zeitraum nicht benutzen, dann schalten Sie es aus. Tauen Sie es anschließend ab und reinigen Sie es. Trocknen Sie es und lassen Sie die Kühlgerätetür etwas geöffnet, um einer Schimmelbildung im Gerät vorzubeugen.
- Für Geräte ohne ein 4-Sterne-Fach: Dieses Kühlgerät ist nicht für tiefgefrorene Nahrungsmitteln geeignet. (Hinweis 4)

Hinweis 1, 2, 3, 4: Bitte überprüfen Sie, ob dies für den Gefrierfachtyp Ihres Geräts anwendbar ist.

FÜR ein freistehendes Gerät: Dieses Kühlgerät ist nicht dafür vorgesehen, als Einbaugerät verwendet zu werden.

Der Austausch oder die Wartung der LED-Lampen soll durch den Hersteller, seinen Servicepartner oder eine ähnlich qualifizierte Person erfolgen.

2. MONTAGE

2.1 Aufstellen

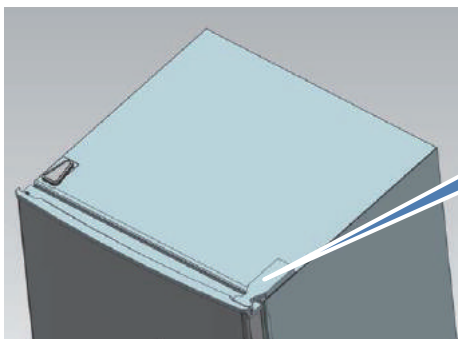
Achten Sie bei der Auswahl des Aufstellungsortes für Ihr Gerät darauf, dass der Untergrund eben und fest und der Raum gut belüftet ist. Stellen Sie das Gerät nicht in der Nähe einer Wärmequelle auf, z. B. eines Herdes, Boilers oder Heizkörpers. Direkte Sonneneinstrahlung soll ebenfalls vermieden werden, da sie zum erhöhten Stromverbrauch führen kann. Auch extrem kalte Umgebungstemperaturen können dazu führen, dass das Gerät nicht richtig funktioniert. Dieses Gerät ist nicht für den Betrieb in einer Garage oder im Freien geeignet. Decken Sie das Gerät nicht ab.

Lassen Sie bei der Montage des Geräts an beiden Seiten 10 cm, an der Rückseite 10 cm und an der Oberseite 30 cm Platz. Dadurch wird die Zirkulation der kalten Luft um den Weinschrank ermöglicht und die Effizienz des Kühlvorgangs gesteigert.

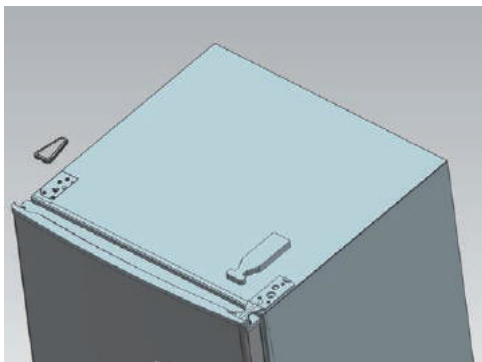
2.2 Türanschlag wechseln (optional)

Erforderliche Werkzeuge: Phillips-Schraubendreher/Schlitzschraubendreher/Sechskantschlüssel

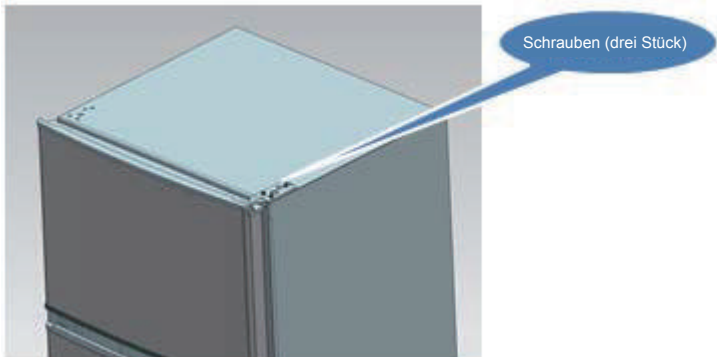
- 1) Entfernen Sie die obere Scharnierabdeckung.



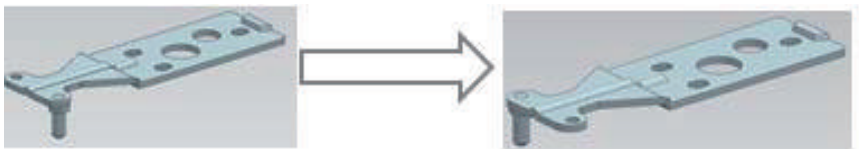
Obere Scharnierabdeckung



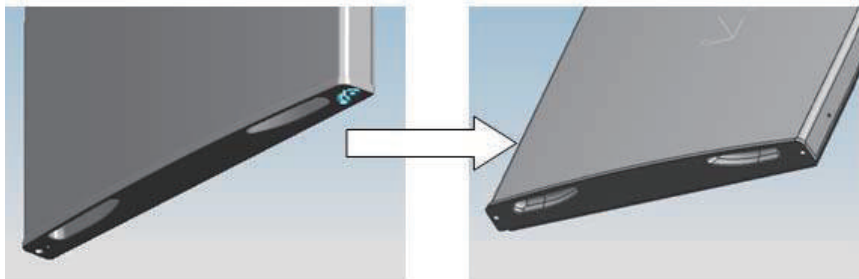
- 2) Entfernen Sie die Schrauben, mit denen das obere Scharnier befestigt ist, mit einem Kreuzschlitzschraubendreher.



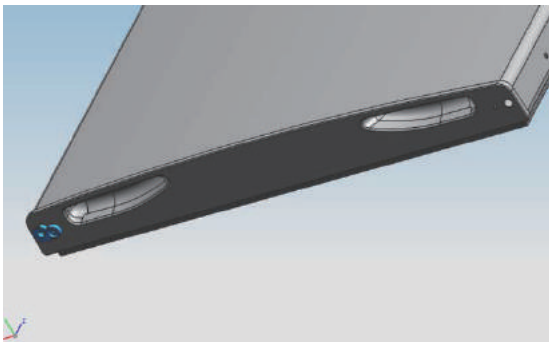
- 3) Tragen Sie das obere Scharnier und den oberen Türbegrenzungsblock sowie die Türlagerbuchse auf die andere Seite über.
A. Entfernen Sie die Mutter mit Hülse. Nehmen Sie die Unterlegscheibe ab. Tragen Sie die Achsen auf die andere Seite über und befestigen Sie sie.



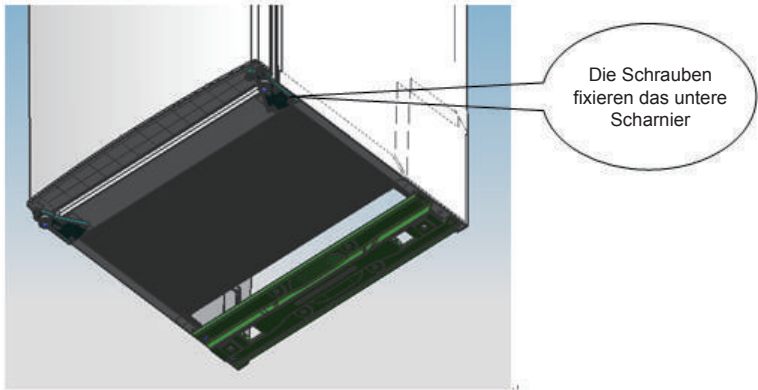
- B. Entfernen Sie den Türbegrenzungsblock



- C. Entfernen Sie den anderen Türbegrenzungsblock, der mit einer Schraube an der Tür befestigt ist

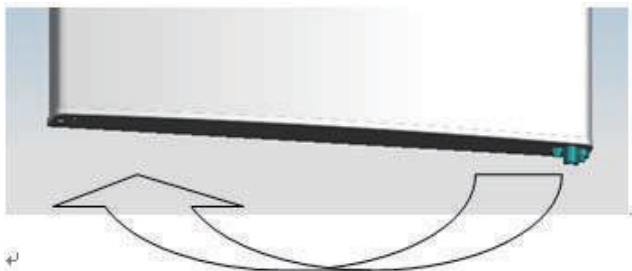


- 4) Entfernen Sie die Schrauben, mit denen das untere Scharnier befestigt ist, mit einem Kreuzschlitzschraubendreher.

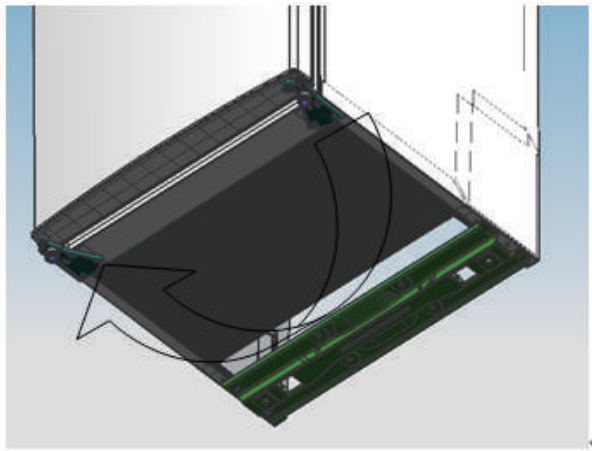


Hinweis: Der Neigungswinkel des Kühl-/Gefrierschranks muss weniger als 45° betragen.

- 5) Versetzen Sie die untere Tür Lagerbuchse und den Begrenzungsblock.



- 6) Tragen Sie das untere Scharnier auf die andere Seite über und befestigen Sie es mit Schrauben.



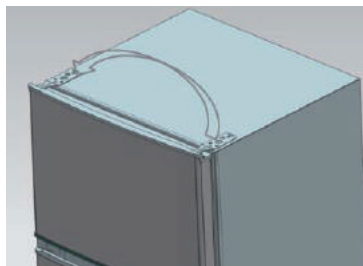
7) Tauschen Sie das mittlere Scharnier aus.



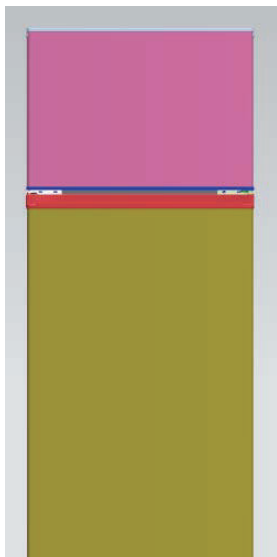
8) Stellen Sie die untere Tür in die richtige Position und befestigen Sie das mittlere Scharnier.



9) Tauschen Sie das obere Scharnier aus.



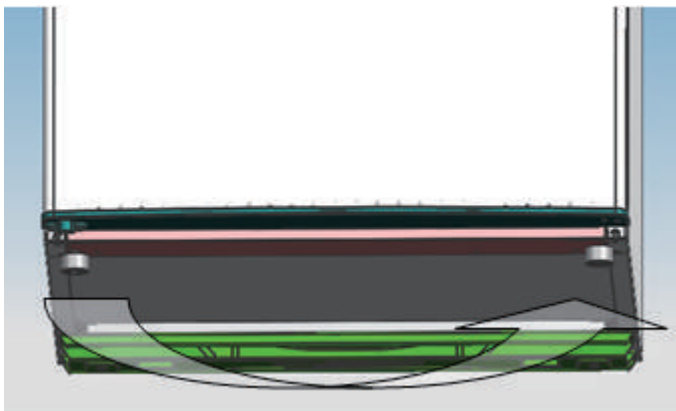
10) Stellen Sie die obere Tür in die richtige Position, befestigen Sie das obere Scharnier und die Abdeckung.



11) Setzen Sie die vier Schraubkappen und zwei Verschlüsse in der entsprechenden Position ein.

- Vergewissern Sie sich, dass das Gerät vom Stromnetz getrennt und leer ist.
- Stellen Sie die beiden Nivellierfüße auf die maximale Höhe ein.
- Es wird empfohlen, sich dabei Hilfe zu holen.

12) Bringen Sie die Nivellierlatte wieder auf der anderen Seite an und richten Sie den Schrank durch Justieren waagrecht aus.



*Die vorstehende Abbildung dient lediglich als Referenz. Die vorhandene Konfiguration ist vom tatsächlichen Produkt oder den Angaben des Lieferanten abhängig.

2.3 Montage des Türgriffs (optional)

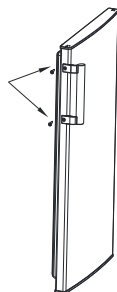
Hinweis: Die Abbildungen im Benutzerhandbuch dienen nur als Referenz. Das tatsächliche Produkt kann leicht abweichen.

Der Kühlschrank muss vor dem Einbau von Zubehör von seiner Stromversorgung getrennt werden.

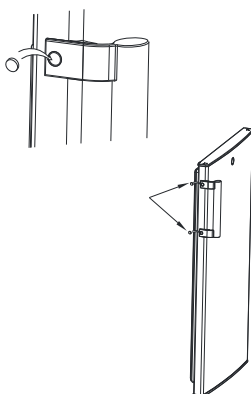
Schritt 1: Zwei Steckerstifte aus der Tür herausnehmen (auf der offenen Türseite)



Schritt 2: Montieren Sie den Türgriff an der Tür und befestigen Sie ihn mit Schrauben



Schritt 3: Decken Sie die Schraublöcher mit Schraubkappen des Türgriffs ab

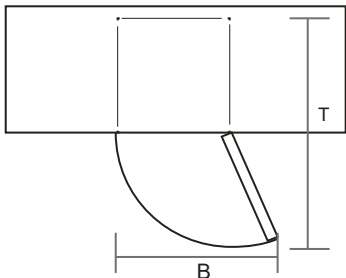


*Die vorstehende Abbildung dient lediglich als Referenz. Die vorhandene Konfiguration ist vom tatsächlichen Produkt oder den Angaben des Lieferanten abhängig.

2.4 Platzbedarf der Tür

Die Tür des Geräts muss sich wie abgebildet vollständig öffnen lassen.

$B \times T \geq 902 \times 1052 \text{ mm}$



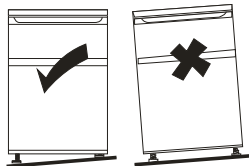
2.5 Gerät nivellieren

Justieren Sie dazu die beiden Nivellierfüße an der Vorderseite des Geräts.

Wenn das Gerät nicht eben steht, werden die Tür und die Magnetdichtungen nicht richtig abgedeckt.

Stellen Sie vor der Benutzung sicher, dass der Fuß den Boden berührt.

Von oben nach unten schauen, im Uhrzeigersinn lösen, gegen den Uhrzeigersinn festziehen.



2.6 Reinigung vor Gebrauch

Wischen Sie den Innenraum des Geräts mit einer schwachen Natronlösung aus. Anschließend mit warmem Wasser und einem ausgewringenen Schwamm oder Tuch abspülen. Waschen Sie die Einlegeböden und den Salatbehälter in warmer Seifenlauge und lassen Sie sie vor dem Wiedereinsetzen in das Gerät vollständig abtrocknen. Reinigen Sie die Außenseite des Geräts mit einem feuchten Tuch.

Weitere Informationen finden Sie im Abschnitt Reinigung.

2.7 Bevor Sie Ihr Gerät benutzen

Beschädigen Sie unter keinen Umständen das Netzkabel, um den sicheren Betrieb des Geräts gewährleisten zu können. Benutzen Sie das Gerät nicht, wenn das Netzkabel beschädigt oder der Netzstecker verschlissen ist.

Stellen/Legen Sie keine brennbaren, explosiven, flüchtigen oder hochkorrosiven Gegenstände in den Kühlschrank, um Schäden am Produkt oder Brand vorzubeugen.

Stellen/Legen Sie keine brennbaren Gegenstände in die Nähe des Kühlschranks, um Brand vorzubeugen.

Dieses Produkt ist ein haushaltsüblicher Kühlschrank und ausschließlich für die Lagerung von Lebensmitteln geeignet. Gemäß den nationalen Normen darf ein haushaltsüblicher Kühlschrank nicht für andere Zwecke verwendet werden, z. B. für die Lagerung von Blut, Medikamenten oder biologischen Produkten.

Legen Sie keine abgefüllten oder verschlossenen Flüssigkeitsbehälter wie Flaschenbiere und Getränke in den Gefrierschrank, um ein Platzen und andere Verluste zu vermeiden.

Bevor Sie Lebensmittel in Ihr Gerät legen, schalten Sie es ein und warten Sie 24 Stunden, um sicherzustellen, dass es ordnungsgemäß funktioniert und sich eine richtige Temperatur im Inneren eingestellt hat. Überfüllen Sie Ihr Gerät nicht.



◆ Vor dem Einstecken!

Überprüfen Sie die Steckdose auf die Kompatibilität mit dem mitgelieferten Stecker.

◆ Vor dem Einschalten!

Schalten Sie das Gerät frühestens zwei Stunden nach dem Bewegen ein.

2.8 Innenraum-Zubehör

Im Lieferumfang Ihres Geräts sind mehrere Glas- oder Kunststoff-Ablagen enthalten - verschiedene Modelle haben unterschiedliche Kombinationen.

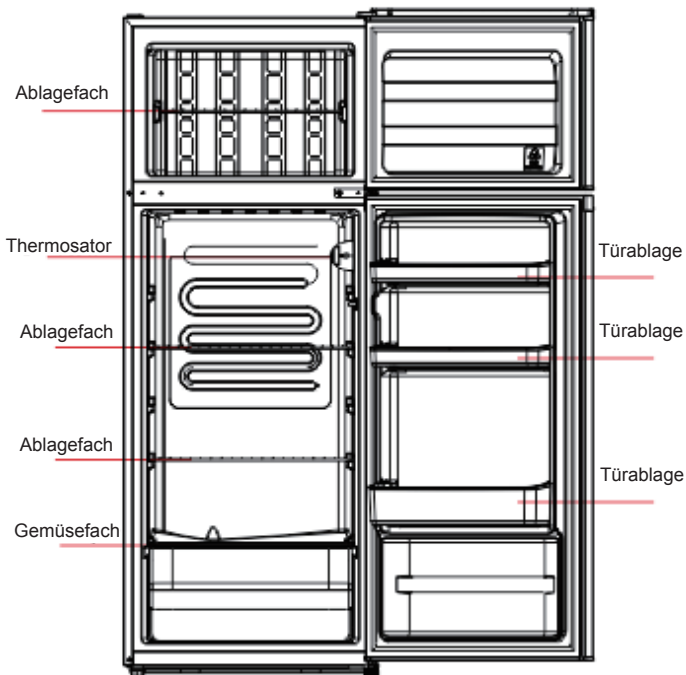
Schieben Sie eine Glasablage der vollen Größe in den untersten Führungssatz über den Obst- und Gemüsebehältern und belassen Sie sie dort. Ziehen Sie dazu die Ablage nach vorne heraus, bis sie nach oben oder unten geschwenkt und entnommen werden kann.

Gehen Sie in umgekehrter Reihenfolge vor, um die Ablage in einer anderen Höhe einzusetzen.



Um das Kühl- und Gefrierfachvolumen optimal zu nutzen, können je nach täglichem Gebrauch eine oder mehrere Ablagen oder Schubladen aus dem Gerät entfernt werden.

3. PRODUKTÜBERSICHT



Am energiesparendsten sind Schubfächer, Nahrungsmittelboxen, Ablagefächer usw., die gemäß der vorstehenden Abbildung in den Kühlschrank geschoben/ eingesetzt sind.

*Die vorstehende Abbildung dient lediglich als Referenz. Die vorhandene Konfiguration ist vom tatsächlichen Produkt oder den Angaben des Lieferanten abhängig.

4. BEDIENUNG

4.1 Gerät einschalten

Einstellung "Off": Gerät ausgeschaltet

Einstellung „Min“: Höhere Temperatur

Einstellung "Med" oder "MID": Normalbetrieb (geeignet für die meisten Anwendungsfälle)

Einstellung „Max“: Tiefste Temperatur

- ◆ Bei hohen Umgebungstemperaturen, z. B. an heißen Sommertagen, kann es erforderlich sein, den Thermostat auf die kälteste Stufe (Position „Max“) zu stellen. Dies kann dazu führen, dass der Kompressor ständig läuft, um eine niedrige Temperatur im Schrank zu halten.
- ◆ Bei der Erstmontage des Kühlschranks sollte der Thermostatregler auf "Med" eingestellt werden.

Geben Sie Ihrem Kühlschrank Zeit, vollständig abzukühlen, bevor Sie Lebensmittel hineinlegen. Warten Sie am besten 24 Stunden, bevor Sie Lebensmittel hineinlegen. Der Thermostatregler regelt die Temperatur. Wenn der Thermostatregler auf OFF steht, ist der Kühlschrank nicht im Betrieb.

4.2 Geräusche im Inneren des Geräts!

Möglicherweise bemerken Sie, dass Ihr Gerät ungewöhnliche Geräusche macht. Die meisten davon sind völlig normal, Sie sollten sie aber kennen!

Diese Geräusche werden durch die Zirkulation der Kältemittelflüssigkeit im Kühlsystem verursacht. Seit der Einführung der FCKW-freien Gase sind diese Geräusche stärker ausgeprägt. Dies ist keine Fehlfunktion und beeinträchtigt die Leistung Ihres Geräts nicht. Die Geräusche entstehen durch die Arbeit des Kompressormotors, der das Kältemittel durch das System pumpt.

4.3 Tipps zur Aufbewahrung von Lebensmitteln im Gerät

- ◆ Gekochtes Fleisch/Fisch sollte immer auf einer Ablage über rohem Fleisch/Fisch gelagert werden, um Bakterienübertragung zu vermeiden. Bewahren Sie rohes Fleisch/Fisch in einem Behälter auf, der groß genug ist, um Säfte aufzufangen, und decken Sie ihn gut ab. Stellen Sie den Behälter auf die unterste Ablage.
- ◆ Lassen Sie um Ihre Lebensmittel herum Platz, damit die Luft im Gerät zirkulieren kann. Stellen Sie sicher, dass alle Teile des Geräts gekühlt werden.
- ◆ Um die Übertragung von Gerüchen und das Austrocknen zu verhindern, verpacken oder bedecken Sie die Lebensmittel separat voneinander. Lassen Sie Obst und Gemüse unverpackt.
- ◆ Lassen Sie vorgekochte Speisen immer abkühlen, bevor Sie sie in das Gerät stellen. So wird die Innentemperatur des Geräts aufrechterhalten.
- ◆ Um Entweichen der kalten Luft aus dem Gerät zu verhindern, versuchen Sie, die Tür so selten wie möglich zu öffnen. Wir empfehlen, die Tür nur dann zu öffnen, wenn Sie Lebensmittel hineinlegen oder herausnehmen müssen.

4.4 Glühbirne austauschen

Lampenwechsel durch Fachleute

5. REINIGUNG

5.1 Abtauen

BEACHTEN SIE, DASS DIESES GERÄT ÜBER KEINE ABTAUAUTOMATIK VERFÜGT.

Benutzen Sie bitte beim manuellen Enteisen des Verdampfers eine Kunststoff-Eisschaufel. Verwenden Sie keine scharfen Metallgegenstände.

5.2 Innenraum und Außenseite des Geräts reinigen

- ◆ Staub hinter dem Kühlschrank und auf dem Boden muss regelmäßig entfernt werden, um den Kühleffekt effizient zu halten und Energie zu sparen.
- ◆ Überprüfen Sie regelmäßig die Türdichtung, um sicherzustellen, dass Sie nicht verschmutzt ist. Reinigen Sie die Türdichtung mit einem weichen, mit Seifenlauge oder verdünnten Reinigungsmittel angefeuchteten Tuch.
- ◆ Der Innenraum des Kühlschranks sollte regelmäßig gereinigt werden, um der Geruchsentwicklung vorzubeugen.
- ◆ Bitte schalten Sie den Kühlschrank aus, bevor Sie alle Nahrungsmittel, Getränke, Ablagefächer, Einschübe usw. herausnehmen und den Kühlschrank reinigen.
- ◆ Benutzen Sie ein weiches Tuch oder einen weichen Schwamm zusammen mit in 1 Liter Wasser gelösten 2 TL Backpulver, um den Kühlschrankinnenraum zu reinigen. Spülen Sie sie dann mit Wasser ab und wischen Sie sie anschließend trocken. Öffnen Sie nach der Reinigung die Getränkeköhlertür, damit der Innenraum auf natürliche Weise trocknen kann, bevor Sie den Getränkeköhler wieder am Stromnetz anschließen.
- ◆ Für die schwer zu reinigenden Bereiche des Kühlschranks (wie z. B. Einengungen, Zwischenräume oder Ecken) ist es empfehlenswert, sie mit einem weichen Lappen, einer weichen Bürste o. ä. zu reinigen. Setzen Sie sie bei Bedarf in Kombination mit weiteren zusätzlichen Hilfsmitteln (wie z. B. dünne Stäbchen) ein, um sicherzustellen, dass sich in diesen Bereichen keine Verschmutzungen oder Bakterien ansammeln.
- ◆ Verwenden Sie weder Seife, Spülmittel, Reinigungspulver, Reinigungssprays usw., weil diese im Innenraum des Kühlschranks Gerüche verursachen oder Nahrungsmittel verunreinigen können.
- ◆ Reinigen Sie die Flaschenfächer, Ablagefächer und Einschübe mit einem weichen, mit Seifenlauge oder verdünnten Reinigungsmittel angefeuchteten Tuch. Wischen Sie sie anschließend mit einem weichen Tuch trocken oder lassen Sie sie auf natürliche Weise trocknen.
- ◆ Wischen Sie die Außenseite des Kühlschranks mit einem weichen Tuch ab, das mit einer Seifenlösung, einem Reinigungsmittel usw. benetzt wurde und anschließend trocken.
- ◆ Verwenden Sie für die Reinigung des Kühlschranks keine harten Bürsten, Stahltopfreiniger, Drahtbürsten, Scheuermittel (wie beispielsweise Zahnpasta), organische Reinigungsmittel (wie beispielsweise Alkohol, Aceton, Bananenöl usw.), kochendes Wasser oder saure/basische Mittel, weil diese die Oberfläche und/oder den Innenraum des Kühlschranks angreifen können. Durch kochendes Wasser und organische Lösungsmittel wie beispielsweise Reinigungsbenzin können sich die Kunststoffteile verformen oder beschädigt werden.
- ◆ Spülen Sie während der Reinigung niemals direkt mit Wasser oder anderen Flüssigkeiten, um einem Kurzschluss oder einer Beeinträchtigung der elektrischen Isolationseigenschaften vorzubeugen.

5.3 Reinigungstipps

An der Außenseite des Geräts kann sich Kondenswasser bilden. Es kann durch eine Änderung der Raumtemperatur verursacht werden. Wischen Sie alle Feuchtigkeitsreste ab. Wenn das Problem weiterhin besteht, wenden Sie sich bitte zur Unterstützung an einen qualifizierten Techniker.

6. WARTUNG

6.1 Innenbeleuchtung austauschen

Lampenwechsel durch Fachleute.

6.2 Vorsicht bei Handhabung/Transport des Geräts

Halten Sie das Gerät beim Bewegen an den Seiten oder am Sockel fest. Auf keinen Fall darf es an den Oberseitenkanten angehoben werden.

6.3 Wartungsarbeiten

Das Gerät sollte von einem autorisierten Techniker gewartet werden. Es sollten nur Originalersatzteile verwendet werden. Versuchen Sie unter keinen Umständen, das Gerät selbst zu reparieren. Reparaturen, die von unerfahrenen Personen durchgeführt werden, können zu Verletzungen oder schweren Fehlfunktionen führen. Wenden Sie sich an einen qualifizierten Techniker.

6.4 Ausschalten über lange Zeiträume

Trennen Sie den Kühlschrank bei längerer Nichtbenutzung vom Stromnetz, nehmen Sie alle Lebensmittel heraus und reinigen Sie das Gerät. Lassen Sie dabei die Tür angelehnt, um die Bildung unangenehmer Gerüche zu vermeiden.

7. Problembehebung

Die nachstehenden einfachen Probleme können durch den/die Benutzer/-in selbst behoben werden. Wenn das Problem anschließend immer noch bestehen sollte, setzen Sie sich bitte mit dem Kundendienst in Verbindung.

Kein Betrieb	Überprüfen Sie, ob die Gefriertruhe am Stromnetz angeschlossen ist. Überprüfen Sie, ob Unterspannung vorliegt; Überprüfen Sie, ob der Strom ausgefallen oder die Sicherung durchgebrannt ist.
Gerüche	Geruchsintensive Nahrungsmittel sollten gut eingepackt werden. Möglicherweise sind Nahrungsmittel verdorben. Möglicherweise muss das Innere der Gefriertruhe gereinigt werden.
Laufen des Kompressors über einen langen Zeitraum hinweg	Es ist normal, wenn im Sommer bei höherer Umgebungstemperatur der Kühlschrankkompressor länger läuft; Geben Sie nicht zu viele Lebensmittel auf einmal in die Gefriertruhe. Stellen/Legen Sie Nahrungsmittel erst dann in die Gefriertruhe, wenn Sie abgekühlt sind. Vermeiden Sie ein zu häufiges Öffnen der Kühlschranktür.
Die Innenraumbelichtung leuchtet nicht	Überprüfen Sie, ob der Kühlschrank an das Stromnetz angeschlossen und ob das Beleuchtungslicht defekt ist.
Die Kühlschranktür kann nicht ordnungsgemäß geschlossen werden.	Die Tür wird von Lebensmittelverpackungen blockiert. Zu viele Nahrungsmittel. Kühlschrank ist uneben.
Laute Geräusche	Überprüfen Sie, ob die Lebensmittel gerade stehen und ob der Kühlschrank eben ausgerichtet ist; Überprüfen Sie, ob das Kühlschrankzubehör richtig platziert ist.

7.1 Tipps bei Hitze:

- ◆ Besonders beim Betrieb im Sommer kann das Kühlschrankgehäuse durch die Wärmeabgabe des Kondensators warm werden, was jedoch eine normale Erscheinung ist.
- ◆ Kondensation wird an der Außenfläche und den Türdichtungen der Gefriertruhe festgestellt, wenn die Umgebungsfeuchtigkeit hoch ist; dies ist ein normales Phänomen und das Kondenswasser kann mit einem trockenen Tuch abgewischt werden.
- ◆ Summen: Ein Summen wird durch den laufenden Kompressor erzeugt – besonders beim Anlaufen oder beim Abschalten des Kompressors.

8. ENERGIESPARTIPPS


Warnung bezüglich Energie

- 1) Kühlgeräte können u. U. nicht dauerhaft betrieben werden (Möglichkeit des Auftauens des Gefrierzugs oder zu starker Anstieg der Temperaturen im Gefrierschubfach), wenn diese über längere Zeit unterhalb der für das Kühlgerät zulässigen maximalen Kühltiefsttemperatur betrieben werden.
- 2) Lagern Sie keine Sprudelgetränke im Gefrierschrank und verzehren Sie Produkte wie Wassereis nicht zu kalt.
- 3) Es darf die durch den Lebensmittelhersteller empfohlene maximale Aufbewahrungszeit für das jeweilige Nahrungsmittel und des käuflich erwerbten Tiefkühlzugs nicht überschritten werden;
- 4) Beim Abtauen des Kühlgeräts sind die Vorsichtsmaßnahmen zu beachten und beispielsweise durch Einwickeln des Gefrierzugs in mehrere Lagen Zeitungspapier dem Erwärmen des Gefrierzugs entgegenzuwirken.
- 5) Es ist zu beachten, dass der Temperaturanstieg des Gefrierzugs beim manuellen Abtauen sowie bei Wartung oder Reinigung die Haltbarkeitsdauer verkürzt.

9. ENTSORGUNG

Altgeräte haben immer noch einen gewissen Restwert. Durch eine umweltfreundliche Entsorgungsmethode können wertvolle Rohstoffe zurückgewonnen und wieder verwendet werden. Das in Ihrem Gerät verwendete Kältemittel und die Isoliermaterialien erfordern besondere Entsorgungsverfahren. Stellen Sie vor der Entsorgung sicher, dass keine der Leitungen auf der Rückseite des Geräts beschädigt ist. Aktuelle Informationen zur Entsorgung Ihres Altgerätes und der Verpackung des Neugerätes erhalten Sie bei Ihrer örtlichen Verwaltung.

Brechen Sie bei der Entsorgung eines Altgerätes alte Schlösser oder Verriegelungen ab und nehmen Sie zur Sicherheit die Tür ab.

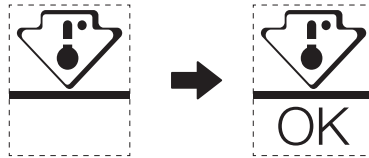
Ordnungsgemäße Entsorgung dieses Produkts	
	<p>Ordnungsgemäße Entsorgung dieses Produkts</p> <p>Die mit diesem Symbol gekennzeichneten Produkte dürfen innerhalb der EU nicht mit dem gewöhnlichen Haushaltsmüll entsorgt werden. Recyceln Sie dieses Produkt den Vorschriften entsprechend, um einer möglichen Schädigung der Umwelt oder der menschlichen Gesundheit durch unkontrollierte Müllentsorgung vorzubeugen und wertvolle Rohstoffe der Wiederverwertung zugänglich zu machen. Nutzen Sie bitte für die Rückführung Ihres Altgeräts die hierfür bereitgestellten Rückgabestellen bzw. Sammelstationen oder setzen Sie sich bitte mit Ihrem Händler in Verbindung, der Ihnen dieses Gerät verkauft hat. Dieser nimmt dann Ihr Altgerät für eine umweltgerechte Entsorgung entgegen.</p>

Für weitere Informationen wenden Sie sich bitte an die örtliche Behörde oder an den Händler, bei dem Sie das Produkt gekauft haben.

Kälteste Zone im Kühlschrank

OPTIONAL: OK-Temperaturanzeige

- Die OK-Temperaturanzeige kann verwendet werden, um Temperaturen unter +4°C festzustellen. Reduzieren Sie die Temperatur schrittweise, wenn das Zeichen nicht Kälteste Zone im Kühlschrank „OK“ anzeigt.



- Um die Temperatur in diesem Bereich zu gewährleisten, sollten Sie die Position der Ablage nicht verändern. Bei Umluftkühlschränken (mit Gebläse oder No-Frost-Modellen) wird das Symbol der kältesten Zone nicht angezeigt, da die Temperatur im Inneren gleichmäßig ist.

Einstellung der Temperaturanzeige

- Damit Sie Ihren Kühlschrank gut einstellen können, ist er mit einer Temperaturanzeige ausgestattet, die die durchschnittliche Temperatur in der kältesten Zone überwacht.
- WARNUNG: Diese Anzeige ist nur für Ihren Kühlschrank bestimmt. Verwenden Sie sie nicht in einem anderen Kühlschrank (die kälteste Zone ist nicht dieselbe) oder für andere Zwecke.

Kontrolle der Temperatur in der kältesten Zone

- Mit der Temperaturanzeige können Sie regelmäßig überprüfen, ob die Temperatur in der kältesten Zone korrekt ist. Die Innentemperatur des Kühlschranks hängt nämlich von mehreren Faktoren ab, z. B. von der Umgebungstemperatur des Raums, der Menge der gelagerten Lebensmittel und der Häufigkeit des Öffnens der Tür. Berücksichtigen Sie diese Faktoren bei der Einstellung des Geräts.
- Wenn die Anzeige „OK“ anzeigt, bedeutet dies, dass Ihr Thermostat gut eingestellt ist und die Innentemperatur stimmt.
- Wenn die Temperaturanzeige WEISS wird, bedeutet dies, dass die Temperatur zu hoch ist; erhöhen Sie in diesem Fall die Temperatureinstellung des Kühlschranks und warten Sie 12 Stunden, bevor Sie eine neue Sichtprüfung der Anzeige durchführen. Wenn frische Lebensmittel eingefüllt wurden oder die Tür offen gelassen wurde, kann die Temperaturanzeige nach einer Weile WEISS werden.

Tabelle 1 Klimaklassen

Klimaklasse	Symbol	Umgebungstemperaturbereich °C
Erweitertes gemäßigtes Klima	SN	+10 bis +32
Normal	N	+16 bis +32
Subtropisch	ST	+16 bis +38
Tropisch	T	+16 bis +43

Erweitertes gemäßigtes Klima: Dieses Kühlgerät ist für den Betrieb in einem Umgebungstemperaturbereich von 10 °C bis 32 °C vorgesehen;

Normal: Dieses Kühlgerät ist für den Betrieb in einem Umgebungstemperaturbereich von 16 °C bis 32 °C vorgesehen;

Subtropisch: Dieses Kühlgerät ist für den Betrieb in einem Umgebungstemperaturbereich von 16 °C bis 38 °C vorgesehen;

Tropisch: Dieses Kühlgerät ist für den Betrieb in einem Umgebungstemperaturbereich von 16 °C bis 43 °C vorgesehen;

Die in der nachstehenden Tabelle aufgeführten Ersatzteile können über den Kanal _ bezogen werden.

Ersatzteil	Bereitgestellt für	Minimale Verfügbarkeitsdauer
Thermostate	Professionelles Servicepersonal	Mindestens 7 Jahre nach Markteinführung des letzten Modells
Temperatursensoren	Professionelles Servicepersonal	Mindestens 7 Jahre nach Markteinführung des letzten Modells
Platinen	Professionelles Servicepersonal	Mindestens 7 Jahre nach Markteinführung des letzten Modells
Leuchtmittel	Professionelles Servicepersonal	Mindestens 7 Jahre nach Markteinführung des letzten Modells
Türgriffe	Fachwerkstätten und Endbenutzer/-innen	Mindestens 7 Jahre nach Markteinführung des letzten Modells
Türscharniere	Fachwerkstätten und Endbenutzer/-innen	Mindestens 7 Jahre nach Markteinführung des letzten Modells
Ablagen	Fachwerkstätten und Endbenutzer/-innen	Mindestens 7 Jahre nach Markteinführung des letzten Modells
Körbe	Fachwerkstätten und Endbenutzer/-innen	Mindestens 7 Jahre nach Markteinführung des letzten Modells
Türdichtungen	Fachwerkstätten und Endbenutzer/-innen	Mindestens 10 Jahre nach Markteinführung des letzten Modells

Sehr geehrte Kundin, sehr geehrter Kunde

1. Wenn Sie das Produkt zurückgeben oder ersetzen möchten, dann setzen Sie sich bitte mit dem Geschäft in Verbindung, in dem Sie das Produkt erworben haben. (Bringen Sie bitte auch den Kaufbeleg mit)
2. Wenn Ihr Produkt defekt ist und repariert werden muss, dann setzen Sie sich bitte mit dem Kundendienst in Verbindung.

Contenidos

1.	ADVERTENCIAS DE SEGURIDAD	ES-1
2.	INSTALACIÓN.....	ES-3
2.1	UBICACIÓN.....	ES-3
2.2	INVERTIR LA APERTURA DE LAS PUERTAS (OPCIONAL)	ES-3
2.3	ILUMINACIÓN DEL TIRADOR DE LA PUERTA (OPCIONAL).....	ES-8
2.4	REQUISITOS PARA ABRIR LA PUERTA.....	ES-9
2.5	NIVELAR LA UNIDAD	ES-9
2.6	LIMPIEZA ANTES DEL PRIMER USO	ES-9
2.7	ANTES DE USAR LA UNIDAD.....	ES-9
2.8	ACCESORIOS INTERIORES.....	ES-10
3.	VISTA GENERAL DEL PRODUCTO	ES-10
4.	FUNCIONAMIENTO.....	ES-11
4.1	CÓMO ENCENDER LA UNIDAD	ES-11
4.2	¡HAY RUIDOS EN EL INTERIOR DE LA UNIDAD!.....	ES-11
4.3	CONSEJOS PARA CONSERVAR LOS ALIMENTOS EN EL FRIGORÍFICO	ES-11
4.4	CAMBIAR LA BOMBILLA	ES-11
5.	LIMPIEZA	ES-12
5.1	DESCONGELACIÓN.....	ES-12
5.2	LIMPIAR EL INTERIOR Y EL EXTERIOR DE LA UNIDAD.....	ES-12
5.3	CONSEJOS DE LIMPIEZA.....	ES-12
6.	MANTENIMIENTO	ES-13
6.1	CAMBIAR LA BOMBILLA INTERNA.....	ES-13
6.2	CUIDADOS AL MOVER O MANIPULAR LA UNIDAD.....	ES-13
6.3	REPARACIONES	ES-13
6.4	APAGADO DURANTE LARGOS PERIODOS DE TIEMPO	ES-13
7.	PROBLEMAS Y SOLUCIONES	ES-13
7.1	CONSEJOS SOBRE EL CALOR:.....	ES-14
8.	PARA AHORRAR ENERGÍA	ES-14
9.	ELIMINACIÓN	ES-14

1. ADVERTENCIAS DE SEGURIDAD



Advertencia : riesgo de incendio / materiales inflamables

ESTE aparato está diseñado para usarse en aplicaciones domésticas y similares como áreas con personal de cocina, oficinas y otros entornos laborales, casas de labranza y por clientes de hoteles, moteles y otros entornos de tipo residencial, entornos de hostales, catering y aplicaciones similares no al por menor.

ESTE aparato no está diseñado para que lo usen personas (incluido niños) con capacidades físicas, sensoriales o mentales reducidas, o falta de experiencia y conocimientos salvo que se les haya dado supervisión o instrucción respecto al uso del aparato por parte de la persona responsable de su seguridad.

Se debe supervisar a los niños para asegurarse de que no juegan con el aparato.

EN caso de que se dañe el cable de alimentación, el fabricante, su agente de servicio o personas con una cualificación similar deben sustituirlo para evitar cualquier riesgo.

NO guarde sustancia explosivas como latas de aerosoles con propulsores inflamables en este aparato. **SE** debe desenchufar el aparato tras su uso y antes de realizar el mantenimiento del usuario del aparato.

ADVERTENCIA: Mantenga las ranuras de ventilación, en la carcasa del aparato o en la estructura integrada, libres de cualquier obstrucción.

ADVERTENCIA: No use dispositivos mecánicos u otros medios para acelerar el proceso de descongelación, salvo aquellos recomendados por el fabricante.

ADVERTENCIA: No dañe el circuito del refrigerante.

ADVERTENCIA: No use aparatos eléctricos dentro de los compartimentos de almacenamiento de alimentos del aparato salvo que sean del tipo recomendado por el fabricante.

ADVERTENCIA: Abandone el refrigerador conforme a la normativa local respecto al uso de gas soplado inflamable y refrigerante.

ADVERTENCIA: Cuando coloque el aparato, asegúrese de que el cable de alimentación no queda atrapado o dañado.

ADVERTENCIA: No coloque múltiples salidas de tomas portátiles o alimentaciones portátiles en la parte posterior del aparato.

NO use cables de extensión o adaptadores sin toma a tierra (dos patillas).

PELIGRO: Riesgo de que los niños queden atrapados. Antes de tirar su viejo frigorífico o congelador:

- Quite las puertas.

- Deje las baldas en su lugar de forma que no niños no puedan subirse el interior con facilidad.

SE debe desconectar el refrigerador de la Fuente de alimentación eléctrica antes de intentar la instalación de accesorios.

EL REFRIGERANTE y el material de la espuma de ciclopentano usados en el aparato con inflamables. Por lo tanto, cuando se ralla el aparato, se debe mantener alejado de cualquier fuente de calor y lo debe recubrir una empresa especial de recubrimientos con la cualificación correspondiente en lugar de eliminarse por medio de combustión para evitar daños al medioambiente o cualquier otro daño.

Para la Norma Europea: Este aparato puede usarse por niños con edades de 8 años y superior y personas con capacidades físicas, mentales o sensoriales reducidas o falta de conocimientos o experiencia si se les ha ofrecido supervisión o instrucción respecto al uso del aparato de forma segura y entienden los riesgos que implica. Los niños no deben jugar con el aparato. La limpieza y el mantenimiento del usuario no deben hacerlo niños sin supervisión. Se permite que los niños con edades entre 3 y 8 años carguen y descarguen los aparatos de refrigeración.

Resulta necesario que, para las puertas o tapas instaladas con cierres y llaves, las llaves se mantenga fuera del alcance de los niños y no cerca del frigorífico para evitar que los niños se queden cerrados en su interior.

PARA evitar la contaminación de alimentos, respete las siguientes instrucciones:

- Abrir la puerta durante periodos prolongados de tiempo puede provocar un aumento significativo de la temperatura en los compartimentos del aparato.
- Limpie regularmente las superficies que puedan estar en contacto con los alimentos y sistemas de drenaje accesibles.
- Limpie los depósitos de agua si no se han empleado durante 48 horas; irrigue el sistema de agua conectado a un suministro de agua si no se ha retirado agua durante 5 días. (nota 1)
- Guarde la carne y el pescado crudos en recipientes adecuados en el frigorífico de forma que no entren en contacto o goteen en otros alimentos.
- Los compartimentos de alimentos congelados de dos estrellas son aptos para guardar alimentos precongelados, guardar o hacer helados y hacer cubitos de hielo. (nota 2)
- Los compartimentos de una, dos y tres estrellas no son aptos para la congelación de alimentos frescos. (nota 3).
- Si el aparato refrigerador se deja vacío durante periodos prolongados de tiempo, apague, descongele, limpie seque y deje la puerta abierta para evitar que se desarrolle moho dentro del aparato.
- Para aparatos sin un compartimento de 4 estrellas este aparato no es apto para congelar alimentos. (nota 4)

Nota 1, 2, 3, 4: Confirme si es aplicable según el tipo de compartimento del producto.

PARA un aparato independiente: este aparato refrigerador no está diseñado para usarse como un aparato integrado.

CUALQUIER sustitución o mantenimiento de las lámparas LED debe ser realizado por el fabricante, su agente de servicios de mantenimiento o una persona con cualificación similar.

2. INSTALACIÓN

2.1 Ubicación

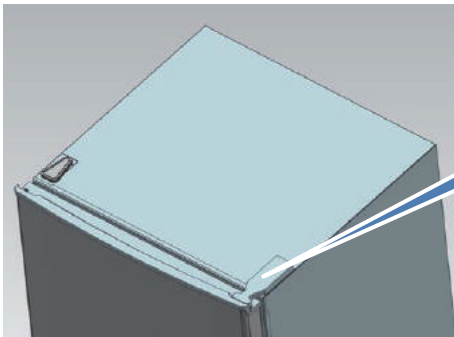
A la hora de elegir un lugar para su unidad, debe asegurarse de que el suelo es horizontal y firme, y que la habitación está bien ventilada. Evite colocarlo cerca de alguna fuente de calor, p. ej. hornillos, calderas o radiadores. Evite también la luz directa del sol, porque puede aumentar el consumo eléctrico. Las temperaturas ambientales extremadamente frías pueden hacer que la unidad no funcione correctamente. Esta unidad no está diseñada para ser utilizada en un garaje o en una instalación en exteriores. No cubra la unidad con ningún tipo de cobertor.

Cuando instale la unidad, asegúrese de dejar un espacio libre de 10 cm a ambos lados, de 10 cm en la parte trasera y de 30 cm en la parte superior de la unidad. Esto permitirá la circulación del aire frío alrededor del refrigerador de vinos y mejorará la eficiencia del proceso de enfriamiento.

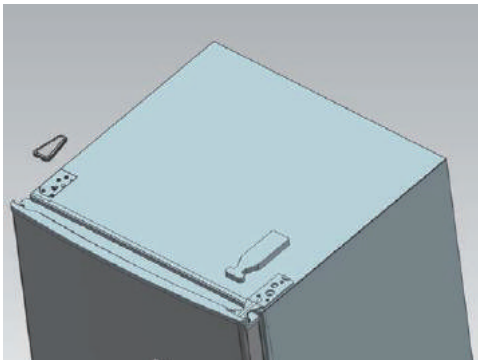
2.2 Invertir la apertura de las puertas (opcional)

Herramientas necesarias: Destornillador de estrella (tipo Phillips)/destornillador plano/Llave hexagonal

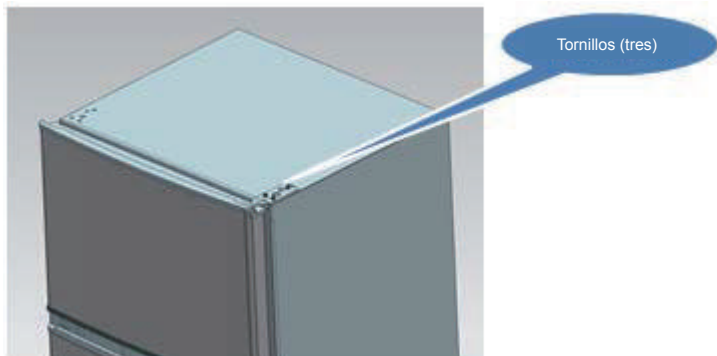
- 1) Retire la tapa de la bisagra superior.



Tapa de la bisagra superior

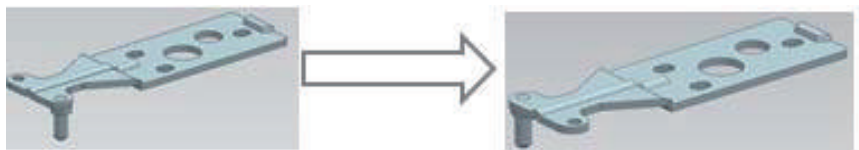


2) Saque los tornillos de fijación de la bisagra superior con el destornillador de estrella.

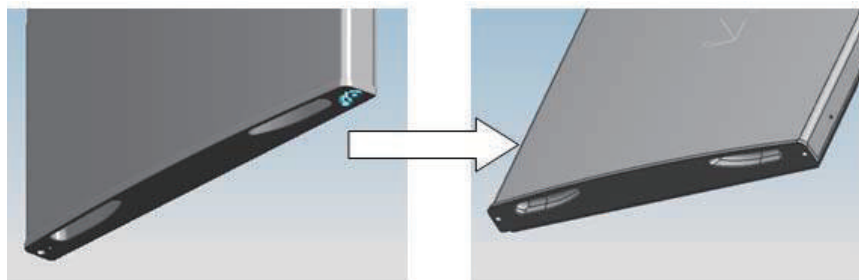


3) Cambiar de lado la bisagra superior, el tope inferior de la puerta de arriba y el casquillo de soporte.

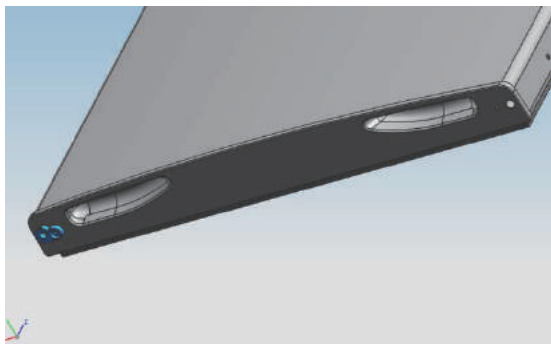
A. De la bisagra superior, saque la tuerca de manguito. Quite la arandela y, a continuación, cambie el eje al agujero del otro lado y apriete.



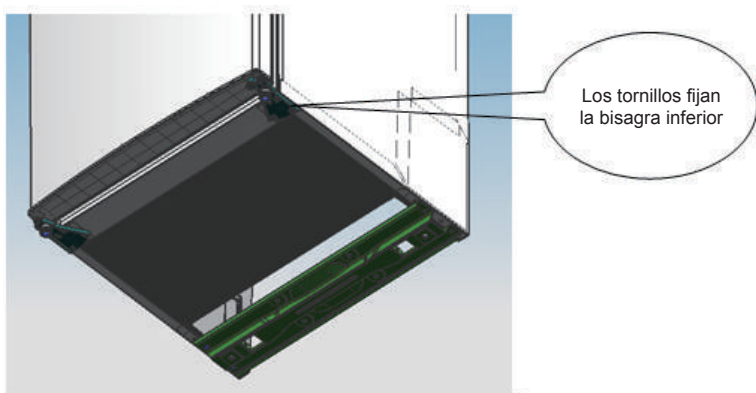
B. Extraiga el tope inferior de la puerta de arriba



C. Coja el otro tope inferior de la puerta de la bolsa de piezas de sustitución, que tenga un montaje en rosca simétrico para el otro lado de la puerta.

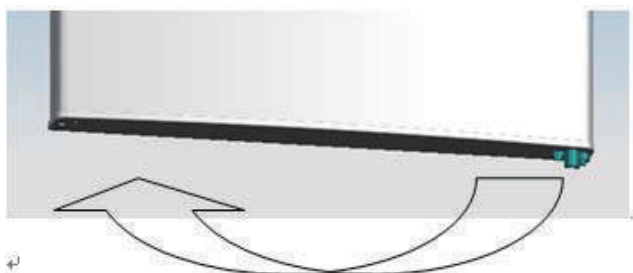


- 4) Quite los tornillos que fijan el quicio inferior usando el destornillador de estrella.

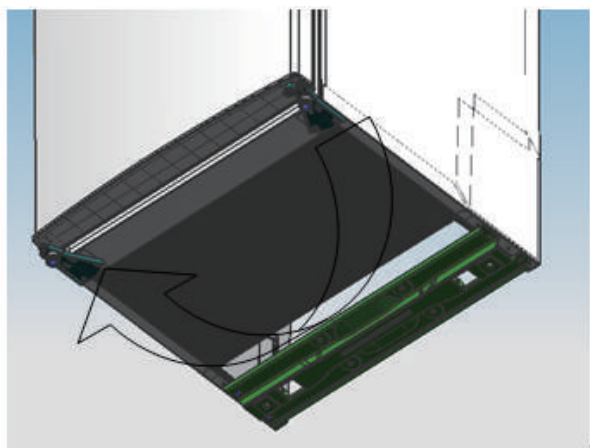


Nota: el ángulo máximo de inclinación del frigorífico congelador es de 45°.

- 5) Cambie de lado el casquillo de giro y el tope inferior de la puerta inferior.



- 6) Coloque el quicio inferior en el otro lado y apriete los tornillos de fijación.



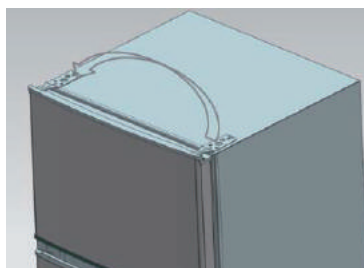
7) Cambie de lado la bisagra intermedia.



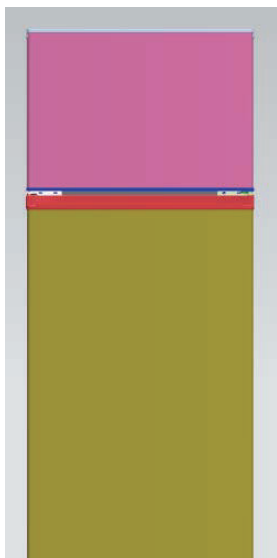
8) Coloque la puerta inferior en su posición correcta y fije la bisagra intermedia.



9) Cambie de lado la bisagra superior.



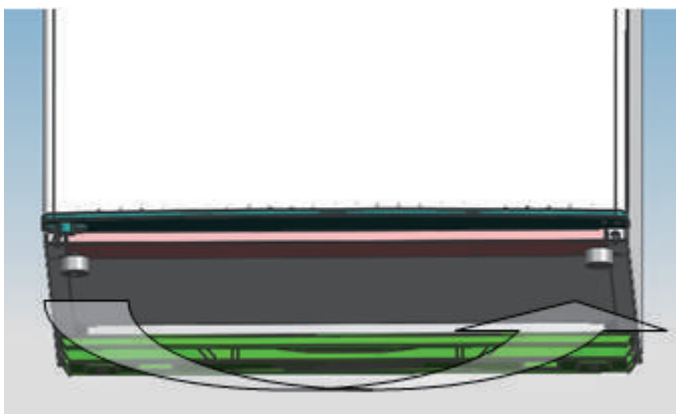
10) Coloque la puerta superior en su posición correcta, fije la bisagra superior y coloque la tapa.



11) Coloque los cuatro tapones de los tornillos y las dos cogidas en su sitio correspondiente.

- Asegúrese de que el aparato esté desconectado y vacío.
- Ajuste los dos pies niveladores en su posición más elevada.
- Es recomendable que le ayude otra persona.

12) Coloque un nivel en el otro lado y ajuste la altura hasta nivelar el aparato.



*La imagen que aparece arriba tiene solo una finalidad de referencia. La configuración real dependerá del producto físico o declaración por parte del distribuidor.

2.3 Iluminación del tirador de la puerta (opcional)

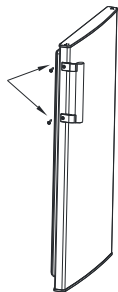
Nota: Las figuras en el manual del usuario son únicamente una referencia. El producto real puede diferir ligeramente.

Se debe desconectar el refrigerador de la Fuente de alimentación eléctrica antes de intentar la instalación de accesorios.

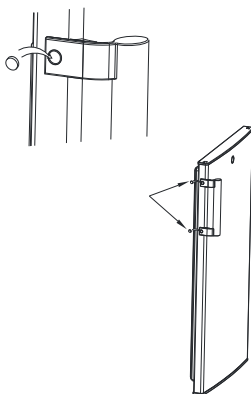
Paso 1: saque los dos tapones de la puerta (en el lateral de la puerta abierta)



Paso 2: Instale el tirador de la puerta y apriételo con los tornillos



Paso 3: Use los tapones para tapar los agujeros de los tornillos del tirador

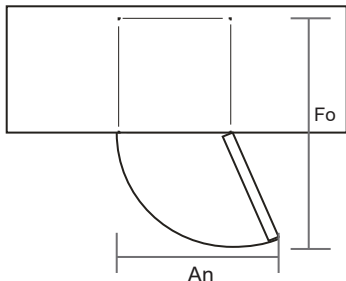


*La imagen que aparece arriba tiene solo una finalidad de referencia. La configuración real dependerá del producto físico o declaración por parte del distribuidor.

2.4 Requisitos para abrir la puerta

La puerta de la unidad debe poder abrirse completamente, como se muestra en la figura.

Ancho × Fondo ≥ 902 × 1052 mm



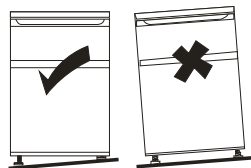
2.5 Nivelar la unidad

Para nivelar la unidad ajuste la altura de los pies niveladores en la parte delantera de la unidad.

Si el aparato no está nivelado, la alineación entre sello magnético y la puerta no se cubrirá correctamente.

Asegúrese de que los pies tocan el suelo antes de ajustarlos.

Mirando de arriba a abajo, el giro en sentido horario afloja y en sentido contrahorario aprieta.



2.6 Limpieza antes del primer uso

Limpie el interior de la unidad con una disolución suave de bicarbonato de sodio. Después, enjuague todo con agua caliente usando una esponja o trapo húmedo bien escurrido. Lave los estantes y los cajones de verduras con agua jabonosa caliente y séquelos bien antes de volverlos a colocar en la unidad. Limpie el exterior de la unidad con un paño húmedo.

Si necesita más información, consulte la sección de limpieza.

2.7 Antes de usar la unidad

No dañe el cable de alimentación bajo ninguna circunstancia para asegurar el uso seguro; no lo use cuando el cable de alimentación presente daños o el enchufe esté gastado.

No coloque artículos inflamables, explosivos, volátiles o altamente corrosivos en el frigorífico para evitar daños al producto o accidentes por fuego.

No coloque artículos inflamables cerca del frigorífico para evitar incendios.

Este producto es un frigorífico doméstico y solo deberá utilizarse para guardar alimentos. Según las normas nacionales, los frigoríficos domésticos no deben utilizarse para otros fines, como el almacenamiento de sangre, medicamentos o productos biológicos.

No coloque elementos como recipientes embotellados o sellados de líquidos como cervezas y bebidas embotelladas en el congelador para evitar que revienten y otras pérdidas.

Antes de meter alimentos en el frigorífico, enciéndalo y espere 24 horas para asegurarse de que funciona correctamente y darle tiempo a que adquiera la temperatura correcta. No lo abarrote de alimentos.



◆ ¡Antes de enchufarlo a la red eléctrica!

Compruebe que la toma de corriente es compatible con el enchufe suministrado con la unidad.

◆ ¡Antes de ponerlo en funcionamiento!

No encienda la unidad hasta que pasen dos horas desde que movió el frigorífico.

2.8 Accesorios interiores

Con el aparato se incluyen varios estantes de cristal o de plástico para almacenamiento; los distintos modelos tienen diferentes combinaciones.

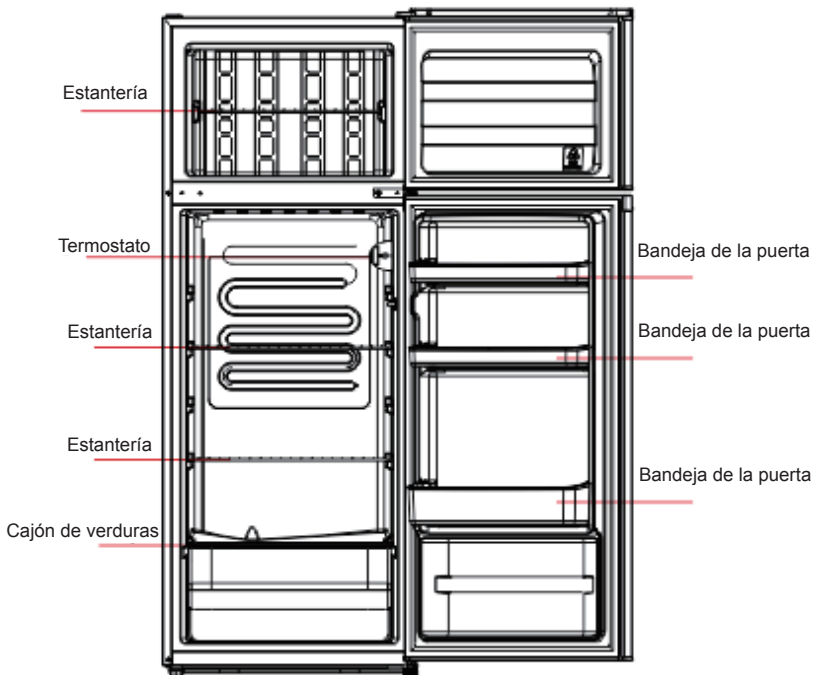
Siempre debe colocar uno de los estantes de vidrio de tamaño completo deslizándolo por el juego de guías más bajo, por encima de los cajones de frutas y verduras, y mantenerlo en esta posición. Para hacer esto, tire del estante hacia adelante hasta que pueda girar hacia arriba o hacia abajo para sacarlo de su posición.

Realice la misma operación en sentido inverso para colocarlo a diferente altura.



Para aprovechar al máximo el volumen del compartimento de almacenamiento de alimentos frescos y del compartimento de almacenamiento de alimentos congelados, el usuario puede retirar uno o varios estantes o cajones del aparato, según su uso diario.

3. VISTA GENERAL DEL PRODUCTO



Los cajones, receptáculos de alimentos, estanterías, etc. colocados conforme a la posición de la imagen que aparece arriba son los más eficientes energéticamente.

*La imagen que aparece arriba tiene solo una finalidad de referencia. La configuración real dependerá del producto físico o declaración por parte del distribuidor.

4. FUNCIONAMIENTO

4.1 Cómo encender la unidad

Configuración «Off»: Unidad apagada

Configuración «Min»: Menor temperatura de refrigeración

Configuración «Med» o «MID»: Funcionamiento normal (adecuado para la mayoría de las situaciones)

Configuración «Max»: Temperatura más fría

- ◆ Durante temperaturas ambiente elevadas, por ejemplo, en cálidos días de verano. Podría ser necesario colocar el termostato en la posición más fría («Max»). Esto haría funcionar al compresor constantemente para mantener el interior del frigorífico a una baja temperatura.
- ◆ La primera vez que instale el frigorífico, fije el dial del termostato en «Med».

Dé tiempo al frigorífico a enfriarse completamente antes de añadir alimentos. Es mejor esperar 24 horas antes de añadir alimentos. El dial del termostato controla la temperatura. Cuando el dial de control del termostato está fijado en OFF, el frigorífico no funcionará.

4.2 ¡Hay ruidos en el interior de la unidad!

Puede ser que perciba ruidos inusuales procedentes de su frigorífico. La mayoría de ellos son completamente normales, ¡pero usted debe conocerlos!

Estos ruidos los produce la circulación del líquido refrigerante en el sistema de enfriamiento. Estos son más perceptibles desde la introducción de los gases refrigerantes libres de CFC. Esto no es un fallo y no afectará al rendimiento de su unidad. Es el motor del compresor funcionando cuando bombea el refrigerante por el sistema.

4.3 Consejos para conservar los alimentos en el frigorífico

- ◆ Las carnes y pescados cocinados deben almacenarse siempre en un estante por encima de las carnes y pescados crudos para evitar la transferencia bacteriana. Mantenga las carnes y pescados en un recipiente bien cerrado lo suficientemente grande para que recoja los líquidos. Coloque el recipiente en el estante inferior.
- ◆ Deje espacio entre la comida para permitir que circule el aire dentro del frigorífico. Asegúrese de que todas las partes de la unidad se conservan frías.
- ◆ Para evitar la transferencia de sabores y la desecación de los alimentos, envase o cubra los alimentos por separado. No es necesario envolver las frutas ni las verduras.
- ◆ Deje enfriar los alimentos cocinados antes de meterlos en el frigorífico. Esto permitirá conservar la temperatura interna de la unidad.
- ◆ Para evitar que el aire frío salga del aparato, intente limitar el número de veces que abre la puerta. Es recomendable abrir la puerta solamente cuando tenga que meter o sacar comida.

4.4 Cambiar la bombilla

La bombilla tiene que ser reemplazada por profesionales

5. LIMPIEZA

5.1 Descongelación

TENGA EN CUENTA QUE ESTA UNIDAD NO TIENE UN SISTEMA AUTOMÁTICO DE DESCONGELACIÓN.

Por favor, utilice una pala de plástico para limpiar la escarcha del evaporador. No utilice objetos metálicos afilados.

5.2 Limpiar el interior y el exterior de la unidad

- ◆ El polvo detrás del frigorífico y del suelo debe limpiarse rápidamente para mejorar el efecto de refrigeración y el ahorro energético.
- ◆ Compruebe regularmente la cesta de la puerta para asegurarse de que no hay residuos. Limpie la cesta de la puerta con un paño suave humedecido con agua jabonosa o detergente diluido.
- ◆ El interior del frigorífico debe limpiarse regularmente para evitar los malos olores.
- ◆ Apague la alimentación antes de limpiar el interior, retire todos los alimentos, bebidas, estanterías, cajones, etc.
- ◆ Use un paño suave o esponja para limpiar el interior del frigorífico, con dos cucharadas de bicarbonato sódico y un cuarto de agua caliente. Posteriormente aclárelo con agua y séquelo. Tras la limpieza, abra la puerta y déjelo secar de forma natural antes de encender la alimentación.
- ◆ Para aquellas áreas que son difíciles de limpiar en el frigorífico (como espacios, esquinas y paredes estrechas), se recomienda limpiarlas regularmente con un paño suave, un cepillo suave, etc. y cuando sea necesario, combinarlo con algunas herramientas auxiliares (como palos delgados) para asegurarse de que no hay acumulación de contaminantes o bacterias en estas áreas.
- ◆ No use jabón, detergente, polvo para fregar, limpiadores en spray, etc., ya que estos pueden causar malos olores en el interior del frigorífico o contaminar los alimentos.
- ◆ Limpie el botellero, estanterías y cajones con un paño suave humedecido con agua jabonosa o detergente diluido. Séquelo con un paño suave o séquelo de forma natural.
- ◆ Limpie la superficie exterior del frigorífico con un paño suave humedecido con agua jabonosa, detergente, etc. y después séquelo.
- ◆ No utilice cepillos duros, bolas de acero de limpieza, cepillos de alambre, abrasivos (como pastas de dientes), disolventes orgánicos (como alcohol, acetona, aceite de plátano, etc.), agua hirviendo, artículos ácidos o alcalinos, que puedan dañar la superficie y el interior del frigorífico. El agua hirviendo y los disolventes orgánicos como el benceno pueden deformar o dañar las piezas de plástico.
- ◆ No lo aclare directamente con agua u otros líquidos durante la limpieza para evitar cortocircuitos o que afecte al aislamiento eléctrico tras la inmersión.

5.3 Consejos de limpieza

Es posible que aparezca condensación en el exterior de la unidad. Esto puede deberse al cambio de la temperatura de la habitación. Limpie cualquier resto de humedad. Si el problema continua, solicite la asistencia de un técnico cualificado.

6. MANTENIMIENTO

6.1 Cambiar la bombilla interna

La bombilla tiene que ser reemplazada por profesionales

6.2 Cuidados al mover o manipular la unidad

Apoye la unidad sobre la base o de uno de sus lados cuando la mueva. Bajo ninguna circunstancia debe ser levantada aguantando por los bordes de la superficie superior.

6.3 Reparaciones

La unidad tiene que ser reparada por un técnico autorizado y utilizando únicamente repuestos originales. Bajo ninguna circunstancia intentará reparar la unidad usted mismo. Las reparaciones realizadas por personas sin experiencia pueden causar lesiones o fallos de funcionamiento de consideración. Contacte con un técnico cualificado.

6.4 Apagado durante largos periodos de tiempo

Cuando el aparato no se utilice durante un largo periodo de tiempo, desconéctelo de la red eléctrica, vacíe todos los alimentos y limpie el aparato, dejando la puerta entreabierta para evitar olores desagradables.

7. Problemas y soluciones

El usuario puede ocuparse de los siguientes problemas simples. Llame al departamento de servicio postventa si no se solucionan los problemas.

No funcionamiento	Si el congelador está enchufado y conectado a la alimentación; Tensión baja; Fallo de corriente o salto del circuito.
Mal olor	Los alimentos con olor deben envolverse bien; Si los alimentos están podridos; Si el interior debe limpiarse.
Funcionamiento prolongado del compresor	Es normal que el frigorífico opere durante más tiempo en verano cuando la temperatura ambiente es mayor; No coloque demasiados alimentos en el congelador de una vez; No coloque alimentos hasta que estén refrigerados; Apertura frecuente de la puerta del frigorífico.
La luz de iluminación no brilla	O el frigorífico no está conectado a la red o la bombilla de iluminación está averiada.
Puede que la puerta del frigorífico no esté debidamente cerrada.	La puerta del congelador está atascada por envases de alimentos; Demasiados alimentos; Frigorífico desnivelado.
Ruidos altos	Los alimentos no están bien colocados o el frigorífico no está equilibrado; Las partes del frigorífico no están bien montadas.

7.1 Consejos sobre el calor:

- ◆ La carcasa del frigorífico puede emitir calor durante su funcionamiento, en especial en verano; esto está provocado por la radiación del condensador y es un fenómeno normal.
- ◆ Condensación: se detectará el fenómeno de la condensación en la superficie exterior y en los sellos de la puerta del congelador cuando la humedad ambiental sea grande; se trata de un fenómeno normal y la condensación puede eliminarse con una toalla seca.
- ◆ Pitido: Se generará un pitido al funcionar el compresor en especial al arrancar y al pararse.

8. PARA AHORRAR ENERGÍA


Advertencia de energía

- 1) Los aparatos de refrigeración pueden que no operen de forma consistente (posibilidad de descongelar los contenidos o de que la temperatura sea demasiado cálida en el compartimento de alimentos congelados) cuando se colocan durante un período prolongado de tiempo por debajo del extremo frío de la gama de temperaturas para las que está diseñado el aparato de refrigeración.
- 2) El hecho de que las bebidas efervescentes no deban guardarse en los compartimentos para alimentos del congelador o en compartimentos o armarios de baja temperatura y de que algunos productos como los cubitos de hielo no deben consumirse demasiado fríos;
- 3) La necesidad de no superar el tiempo de almacenamiento recomendado por los fabricantes de los alimentos y en especial los alimentos de congelación rápida comercial en congeladores para alimentos y compartimentos de almacenamiento de alimentos congelados o armarios;
- 4) Las precauciones necesarias para prevenir un aumento indebido de la temperatura de los alimentos congelados mientras se descongela el aparato de refrigeración, como envolver los alimentos congelados en varias capas de papel de periódico.
- 5) El hecho de que un aumento en la temperatura de los alimentos congelados durante la descongelación manual, mantenimiento o limpieza puede acortar la vida de almacenamiento.

9. ELIMINACIÓN

Los frigoríficos viejos todavía tienen valor residual. Un método de eliminación respetuoso con el medio ambiente garantizará que las valiosas materias primas puedan recuperarse y utilizarse de nuevo. El refrigerante y los materiales de aislamiento utilizados en el frigorífico requieren procedimientos especiales de eliminación. Asegúrese de que ninguno de los tubos de la parte trasera de la unidad esté dañado antes de su eliminación. En su ayuntamiento puede obtener información actualizada sobre las opciones para deshacerse de su antigua unidad y del embalaje de la nueva.

Al deshacerse de una unidad antigua, rompa las cerraduras o pestillos antiguos y retire la puerta como medida de seguridad.

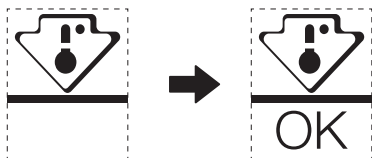
Eliminación correcta de este producto	
	<p>Eliminación correcta de este producto</p> <p>Esta marca indica que este producto no debe desecharse con otros residuos domésticos en la UE. Para evitar posibles daños al medioambiente y a la salud humana procedentes de una eliminación de residuos no controlada, reciclado de forma responsable para promover la reutilización sostenible de recursos materiales. Para devolver su aparato usado, use los sistemas de devolución y recogida o póngase en contacto con el distribuidor donde adquirió el producto. Ellos pueden realizar un reciclaje medioambiental seguro de este producto.</p>

Para obtener más información, póngase en contacto con las autoridades locales o con el distribuidor donde adquirió el producto.

Zona más fría en el refrigerador

OPCIONAL: Indicador de temperatura OK

- El indicador de temperatura OK se puede utilizar para determinar temperaturas inferiores a +4 °C. Reduzca gradualmente la temperatura si el letrero no indica "OK".



- Para asegurar la temperatura en esta área, no cambie la posición del estante. Para los refrigeradores de aire forzado (equipados con ventilador o modelos Sin Escarcha), no se representa el símbolo de la zona más fría porque la temperatura interior es homogénea.

Configuración del indicador de temperatura

- Para ayudarle a configurar bien su refrigerador, está equipado con un indicador de temperatura que monitoreará la temperatura promedio en la zona más fría.
- **ADVERTENCIA:** Este indicador está diseñado para funcionar únicamente con su refrigerador, no lo use en otro refrigerador (de hecho, la zona más fría no es la misma), ni para ningún otro uso.

Comprobación de la temperatura en la zona más fría

- Con el indicador de temperatura, puede comprobar periódicamente que la temperatura de la zona más fría es la correcta. De hecho, la temperatura interna del refrigerador depende de varios factores, como la temperatura ambiente de la habitación, la cantidad de alimentos almacenados y la frecuencia de apertura de la puerta. Tenga en cuenta estos factores al configurar el dispositivo.
- Cuando el indicador muestra "OK", esto significa que su termostato está bien ajustado y la temperatura interna es correcta.
- Si el indicador de temperatura se vuelve BLANCO, significa que la temperatura es demasiado alta; en este caso, aumente la configuración del control de temperatura del refrigerador y espere 12 horas antes de realizar una nueva inspección visual del indicador. Cuando se han introducido alimentos frescos o se ha dejado la puerta abierta, es posible que el indicador de temperatura se vuelva BLANCO después de un tiempo.

Tabla 1 Clases de climas

Clase	Símbolo	Alcance de temperatura ambiente °C
Templada extendida	SN	+10 hasta +32
Templada	N	+16 hasta +32
Subtropical	ST	+16 hasta +38
Tropical	T	+16 hasta +43

Templado extendido: «este aparato de refrigeración está diseñado para usarse a temperaturas ambiente que varían entre 10 °C y 32 °C»;

Templada: «este aparato de refrigeración está diseñado para usarse a temperaturas ambiente que varían entre 16 °C y 32 °C»;

Subtropical: «este aparato de refrigeración está diseñado para usarse a temperaturas ambiente que varían entre 16 °C y 38 °C»;

Tropical: «este aparato de refrigeración está diseñado para usarse a temperaturas ambiente que varían entre 16 °C y 43 °C»;

Las piezas solicitadas en la siguiente tabla pueden adquirirse del canal:

Pieza pedida	Proporcionada por	Tiempo mínimo requerido para la provisión
termostatos	Personal profesional de mantenimiento	Al menos 7 años después de que se haya lanzado al mercado el último modelo
sensores de temperatura	Personal profesional de mantenimiento	Al menos 7 años después de que se haya lanzado al mercado el último modelo
cuadros de circuitos impresos	Personal profesional de mantenimiento	Al menos 7 años después de que se haya lanzado al mercado el último modelo
fuentes de iluminación	Personal profesional de mantenimiento	Al menos 7 años después de que se haya lanzado al mercado el último modelo
pomos de las puertas	Reparadores profesionales y usuarios finales	Al menos 7 años después de que se haya lanzado al mercado el último modelo
quicios de las puertas	Reparadores profesionales y usuarios finales	Al menos 7 años después de que se haya lanzado al mercado el último modelo
bandejas	Reparadores profesionales y usuarios finales	Al menos 7 años después de que se haya lanzado al mercado el último modelo
cestas	Reparadores profesionales y usuarios finales	Al menos 7 años después de que se haya lanzado al mercado el último modelo
juntas de puertas	Reparadores profesionales y usuarios finales	Al menos 10 años después de que se haya lanzado al mercado el último modelo

Estimado cliente

1. Si desea devolver o sustituir el producto, póngase en contacto con el establecimiento donde lo compró. (Recuerde traer la factura de compra)
2. Si el producto se avería y necesita reparación, póngase en contacto con el proveedor de servicios pos-venta.

Indice

1.	INFORMAZIONI DI SICUREZZA.....	IT-1
2.	INSTALLAZIONE.....	IT-3
2.1	POSIZIONAMENTO	IT-3
2.2	INVERTIRE IL LATO DI APERTURA DELLA PORTA (OPZIONALE).....	IT-3
2.3	INSTALLAZIONE DELLA MANIGLIA DELLA PORTA (FACOLTATIVO)	IT-8
2.4	SPAZIO RICHIESTO PER L'APERTURA DELLA PORTA.....	IT-9
2.5	LIVELLAMENTO DELL'UNITÀ.....	IT-9
2.6	PULIZIA PRIMA DELL'UTILIZZO	IT-9
2.7	AVVERTENZE PRIMA DI USARE L'UNITÀ	IT-9
2.8	ACCESSORI INTERNI	IT-10
3.	PANORAMICA DEL PRODOTTO.....	IT-10
4.	FUNZIONAMENTO	IT-11
4.1	ACCENSIONE DELL'UNITÀ	IT-11
4.2	RUMORI ALL'INTERNO DELL'UNITÀ!.....	IT-11
4.3	SUGGERIMENTI PER LA CONSERVAZIONE DI CIBI NELL'UNITÀ	IT-11
4.4	SOSTITUZIONE DELLA LAMPADINA DI ILLUMINAZIONE	IT-11
5.	PULIZIA	IT-12
5.1	SBRINAMENTO	IT-12
5.2	PULIZIA INTERNA ED ESTERNA DELL'UNITÀ	IT-12
5.3	SUGGERIMENTI PER LA PULIZIA.....	IT-12
6.	MANUTENZIONE.....	IT-13
6.1	SOSTITUZIONE DELLA LUCE INTERNA.....	IT-13
6.2	PRECAUZIONI IN CASO DI MOVIMENTAZIONE/SPOSTAMENTI DELL'UNITÀ.....	IT-13
6.3	RIPARAZIONI	IT-13
6.4	SPEGNIMENTO DELL'UNITÀ PER PERIODI PROLUNGATI	IT-13
7.	RISOLUZIONE DEI PROBLEMI.....	IT-13
7.1	SUGGERIMENTI IN CASO DI SURRISCALDAMENTO:.....	IT-14
8.	RISPARMIO ENERGETICO	IT-14
9.	SMALTIMENTO.....	IT-14

1. INFORMAZIONI DI SICUREZZA



Avvertenza : rischio di incendio/materiali infiammabili

IL presente elettrodomestico è destinato ad uso domestico e altre applicazioni simili, quali cucine e mense in negozi, uffici e altri ambienti di lavoro; in strutture per agriturismo, camere di hotel, motel e altri ambienti di tipo residenziale per utilizzo da parte dei clienti; in strutture destinate a bed and breakfast, catering e altre simili applicazioni all'ingrosso.

L'UTILIZZO del presente elettrodomestico non è destinato a bambini o persone affette da menomazioni fisiche, mentali e sensoriali, o prive di conoscenza dell'apparecchiatura, se non sotto il controllo di apposito personale o dopo essere stati istruiti sull'uso del dispositivo da un responsabile della sicurezza.

I bambini devono essere controllati per garantire che essi non giochino con l'elettrodomestico.

SE il cavo di alimentazione è danneggiato, esso va immediatamente sostituito dal produttore, un suo agente di assistenza autorizzato o altro personale qualificato per evitare pericoli.

NON conservare in questo elettrodomestico sostanze esplosive, quali bombolette spray con propellente infiammabile.

L'elettrodomestico deve essere scollegato dall'alimentazione quando non è in uso o prima di eseguire attività di manutenzione su di esso.

AVVERTENZA: Mantenere le feritoie di ventilazione sull'involucro o sulla struttura integrata dell'elettrodomestico libere da ostacoli.

AVVERTENZA: Per accelerare il processo di sbrinamento, utilizzare solo i dispositivi meccanici o altri attrezzi indicati dal produttore.

AVVERTENZA: Non danneggiare il circuito refrigerante.

AVVERTENZA: Non utilizzare all'interno degli scomparti per la conservazione delle vivande del frigorifero dispositivi elettrici diversi da quelli indicati dal produttore.

AVVERTENZA: Smaltire il frigorifero nel rispetto delle norme locali, poiché esso fa uso di gas e refrigeranti infiammabili.

AVVERTENZA: Durante la sistemazione dell'elettrodomestico, verificare che il cavo di alimentazione non sia danneggiato o piegato.

AVVERTENZA: Non applicare prese multiple o alimentatori portatili su retro dell'elettrodomestico.

NON utilizzare prolunghe o alimentatori privi di messa a terra (spine a due sole lame).

PERICOLO: Rischio che i bambini restino intrappolati. Prima di smaltire frigoriferi o congelatori vecchi:

- Rimuovere le porte.
- Non rimuovere gli scaffali interni, in modo che i bambini non possano infilarsi all'interno dell'elettrodomestico.

Il frigorifero deve essere scollegato dall'alimentazione elettrica prima di procedere all'installazione degli accessori.

Il fluido refrigerante e la schiuma al ciclopentano usati per l'apparecchio sono materiali infiammabili. Di conseguenza, in caso di demolizione dell'apparecchio, tenere lontano da qualsiasi fonte di calore. L'unità dovrà essere recuperata da un'azienda appositamente specializzata e dotata di certificazione. L'apparecchio, infatti, non può essere trattato attraverso la combustione perché ciò potrebbe causare danni all'ambiente o di altra natura.

IMPIANTI conformi allo standard EN: Il presente elettrodomestico può essere utilizzato da bambini di età non inferiore a 8 anni e da persone affette da menomazioni fisiche, sensoriali e mentali o prive di conoscenza dell'apparecchiatura, sotto il controllo di apposito personale o dopo essere stati istruiti sull'uso sicuro del dispositivo e sui pericoli che questo implica. I bambini non devono giocare con l'elettrodomestico. La pulizia e la manutenzione del frigorifero non devono essere svolte da bambini non controllati. I bambini di età compresa tra i 3 e gli 8 anni non possono caricare e scaricare il contenuto di frigoriferi.

Per evitare che i bambini possano restare chiusi negli elettrodomestici, tenere le chiavi di porte e aperture dotati di serrature fuori dalla portata dei bambini e comunque lontano dai frigoriferi.

PER evitare la contaminazione delle vivande rispettare le istruzioni seguenti:

- L'apertura delle porte per periodi di tempo prolungati può causare significativi aumenti della temperatura dei compartimenti del frigorifero.
- Pulire regolarmente le superfici che possono venire a contatto con le vivande e accessibili ai sistemi di drenaggio.
- Pulire i serbatoi d'acqua se non sono usati per 48 ore; sciacquare il sistema idrico connesso a impianti di erogazione idrica, se l'acqua è rimasta chiusa per 5 giorni. (nota 1)
- Conservare carne e pesce crudi in appositi contenitori, in modo che non possano venire in contatto con altre vivande né sgocciolare su di esse.
- I compartimenti dei congelatori a due stelle permettono di conservare cibi precongelati, conservare e preparare gelati o realizzare cubetti di ghiaccio. (nota 2)
- I compartimenti a una, due e tre stelle non sono adatti al congelamento di cibi freschi. (nota 3).
- Se il congelatore resta vuoto per molto tempo, prima di riutilizzarlo occorre spengerlo, sbrinarlo, pulirlo, asciugarlo e lasciare la porta aperta per evitare la formazione di muffa all'interno dell'elettrodomestico.
- Per apparecchi senza compartimenti a 4 stelle: questo frigorifero non è adatto al congelamento di alimenti. (nota 4)

Nota 1, 2, 3, 4: Verificare l'applicabilità delle note in base al tipo di vani del proprio elettrodomestico.

PER un apparecchio a posizionamento libero: questo apparecchio di refrigerazione non è destinato ad essere utilizzato come apparecchio da incasso.

TUTTE le operazioni di sostituzione e manutenzione sulle lampade a LED devono essere svolte dal produttore, dal suo personale di assistenza autorizzato o altro personale qualificato.

2. INSTALLAZIONE

2.1 Posizionamento

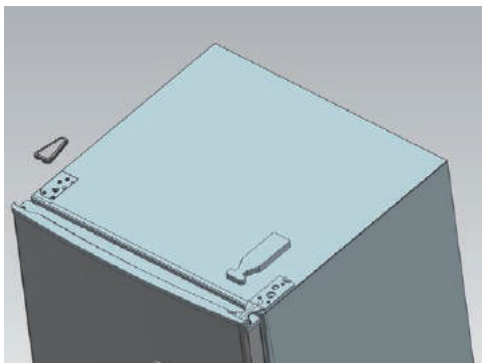
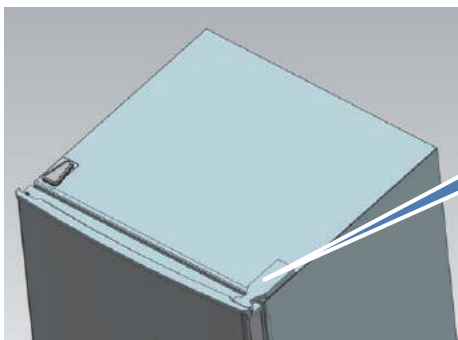
Sistemare l'unità in un ambiente ben ventilato con un pavimento piano e stabile. Non collocare l'unità vicino a fonti di calore, quali fornelli, caldaie o radiatori. Evitare anche di esporre l'unità alla luce solare diretta per ridurre i consumi energetici. L'unità potrebbe non funzionare correttamente in ambienti estremamente freddi. Questa unità non è destinata all'installazione in garage o in ambienti all'aperto. Non coprire mai l'unità con un panno.

Installare l'unità, lasciando uno spazio libero di 10 cm da entrambi i lati e sul retro e uno spazio libero di 30 cm sulla parte superiore. Questo permetterà di far circolare aria fredda intorno al refrigeratore allo scopo di migliorare l'efficienza del processo di raffreddamento.

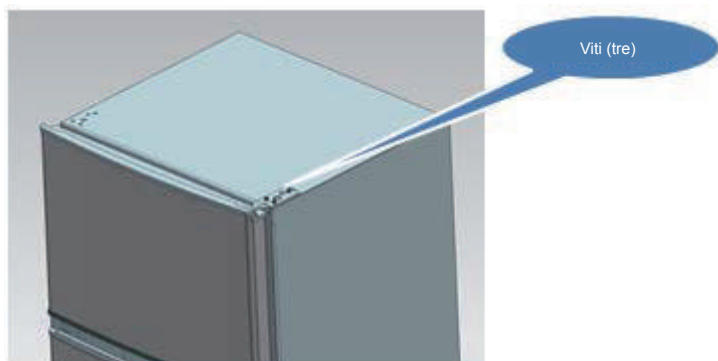
2.2 Invertire il lato di apertura della porta (opzionale)

Attrezzi necessari: Cacciavite a croce/Cacciavite a testa piatta/Chiave esagonale

- 1) Rimuovere la copertura della cerniera superiore.

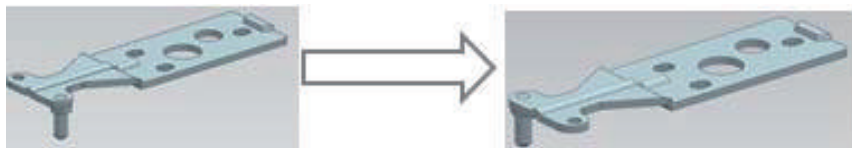


2) Rimuovere le viti di fissaggio della cerniera superiore con il cacciavite scanalato.

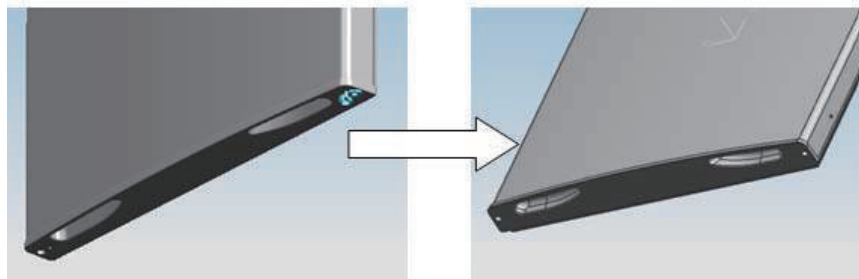


3) Spostare la cerniera superiore, il fermo porta superiore e il supporto della boccola della porta dall'altro lato.

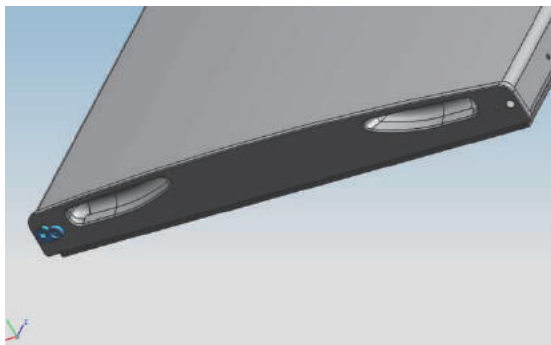
A. Rimuovere il dado con manicotto. Estrarre la rondella e spostare gli assi dall'altro lato e fissarli.



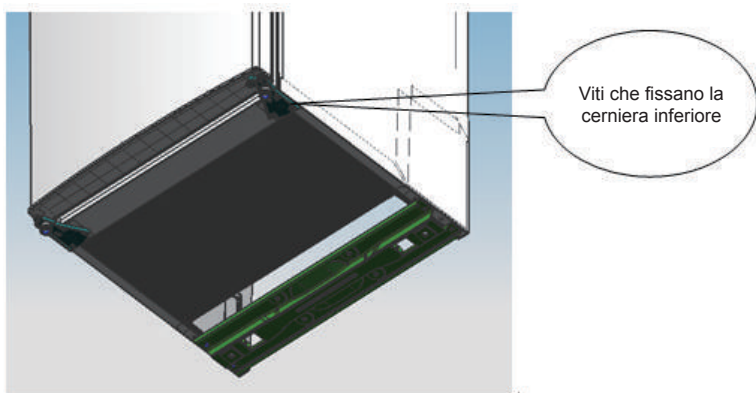
B. Rimuovere il fermo porta



C. Estrarre l'altro fermo porta con le viti di fissaggio alla porta

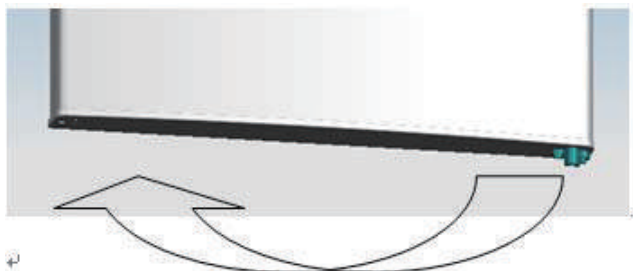


- 4) Rimuovere le viti di fissaggio della cerniera inferiore con il cacciavite scanalato.

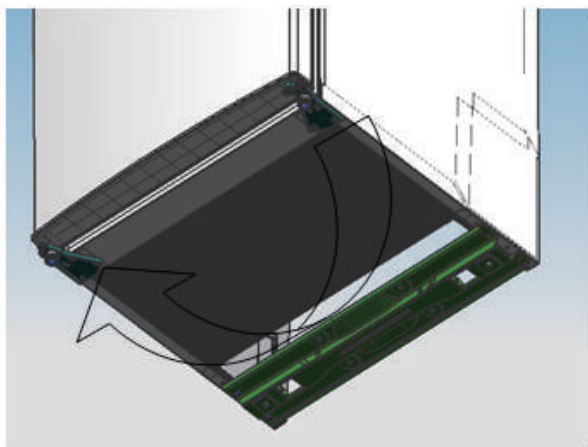


Nota: l'angolo di inclinazione del frigorifero-congelatore deve essere inferiore a 45°.

- 5) Rimettere a posto il supporto della boccola e il fermo inferiore della porta.



- 6) Spostare anche la cerniera inferiore dall'altro lato e fissarla con le viti.



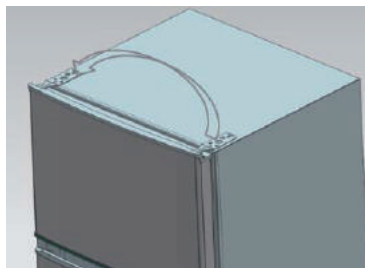
7) Rimettere a posto la cerniera centrale.



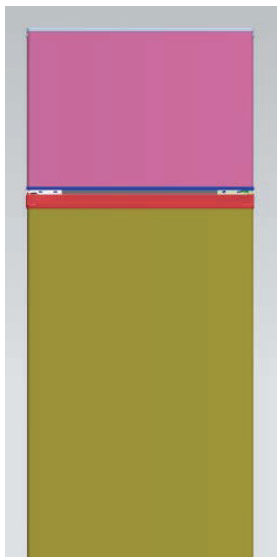
8) Sistemare la porta nella giusta posizione inferiore e fissare la cerniera centrale.



9) Rimettere a posto la cerniera superiore.



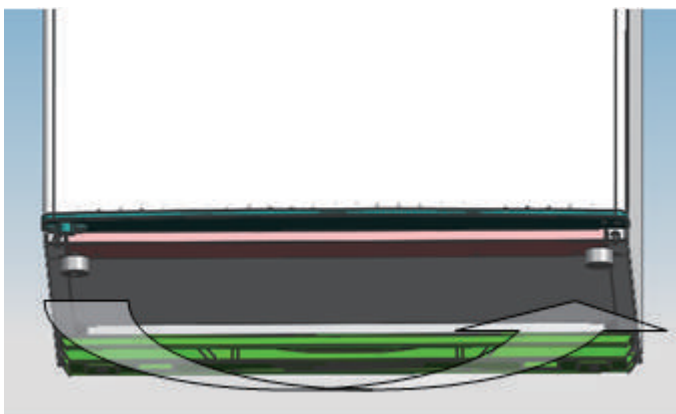
10) Sistemare la porta nella giusta posizione superiore e fissare la cerniera superiore e la copertura.



11) Installare i quattro tappi delle viti e due ganci nella relative posizioni.

- Verificare che l'elettrodomestico sia disconnesso dalla corrente e sia vuoto.
- Regolare i due piedini di livellamento nella loro posizione più alta.
- Consigliamo all'utente di farsi aiutare durante la procedura.

12) Rimettere a posto il dispositivo di livellamento dall'altro lato, verificando il giusto livellamento della struttura.



*La figura precedente è a solo scopo indicativo. La configurazione effettiva dipende dalle caratteristiche fisiche del prodotto e dalle indicazioni del distributore.

2.3 Installazione della maniglia della porta (facoltativo)

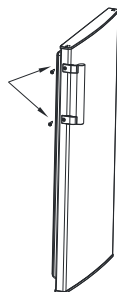
Nota: Le figure riportate nel manuale di utilizzo sono solo a scopo illustrativo. Il prodotto effettivo potrebbe essere leggermente diverso.

Il frigorifero deve essere scollegato dall'alimentazione elettrica prima di procedere all'installazione degli accessori.

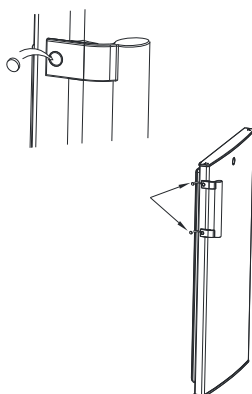
Passo 1: estrarre due perni di connessione della porta (dal lato di apertura)



Passo 2: Installare la maniglia sulla porta e fissarla con le viti



Passo 3: Inserire i tappi di copertura delle viti della maniglia nei relativi fori

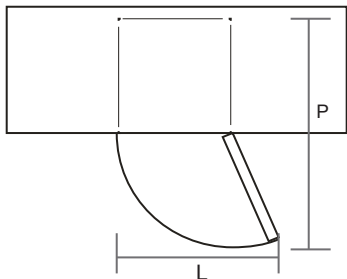


*La figura precedente è a solo scopo indicativo. La configurazione effettiva dipende dalle caratteristiche fisiche del prodotto e dalle indicazioni del distributore.

2.4 Spazio richiesto per l'apertura della porta

La porta dell'unità deve essere in grado di aprirsi completamente come mostrato in figura.

$L \times P \geq 902 \times 1052$ mm



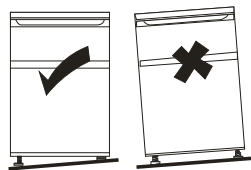
2.5 Livellamento dell'unità

A questo scopo occorre regolare i due piedini di livellamento nella parte anteriore dell'unità.

Se l'unità non è livellata, la porta e il suo contatto magnetico non saranno correttamente allineati.

Verificare che i piedini tocchino il terreno prima dell'uso.

Controllare dall'alto il livellamento e ruotare in senso orario e antiorario i piedini per allentarli e stringerli rispettivamente.



2.6 Pulizia prima dell'utilizzo

Pulire l'interno dell'unità con una soluzione molto diluita di bicarbonato di sodio. Quindi sciacquare con acqua tiepida usando una spugna o un panno leggermente imbevuti. Lavare gli scaffali e i cassetti per frutta e verdura con acqua tiepida e sapone e asciugarli perfettamente prima di risistemarli nell'unità. Pulire l'esterno dell'unità con un panno inumidito.

Per ulteriori informazioni consultare la sezione per la pulizia dell'unità.

2.7 Avvertenze prima di usare l'unità

Non danneggiare il cavo di alimentazione per alcun motivo al fine di garantire un uso in sicurezza dell'apparecchio. Non usare la cantinetta del vino qualora il cavo di alimentazione risultasse danneggiato o la spina fosse consunta.

Non collocare nel frigorifero sostanze infiammabili, esplosive, volatili o altamente corrosive per evitare danni al prodotto o il rischio di incendi.

Non sistemare oggetti infiammabili in prossimità del frigorifero per evitare incendi.

Questo prodotto è un frigorifero destinato esclusivamente alla conservazione di cibo per uso domestico. Nel rispetto degli standard nazionali, il frigorifero per uso domestico non può essere impiegato per altri scopi, ad esempio conservazione di sangue, farmaci e prodotti biologici.

Non collocare nel congelatore oggetti quali contenitori di fluidi sigillati o imbottigliati, ad esempio bottiglie di birra o altre bevande, per evitare schizzi o altre perdite di liquidi.

Prima di collocare le vivande nell'unità, accenderla e lasciarla operare per 24 ore per verificare che funzioni correttamente e permettere al dispositivo di raggiungere le basse temperature di funzionamento. Evitare di riempire eccessivamente l'unità.



◆ Prima di collegare l'alimentazione!

Occorre verificare la disponibilità di una presa di alimentazione compatibile con la spina in dotazione con l'unità.

◆ Avvertenze prima dell'accensione!

Prima di accendere l'unità, attendere due ore dopo l'ultimo spostamento.

2.8 Accessori interni

L'elettrodomestico è dotato di vari ripiani di conservazione vivande in plastica e vetro, la cui combinazione può variare in base ai modelli.

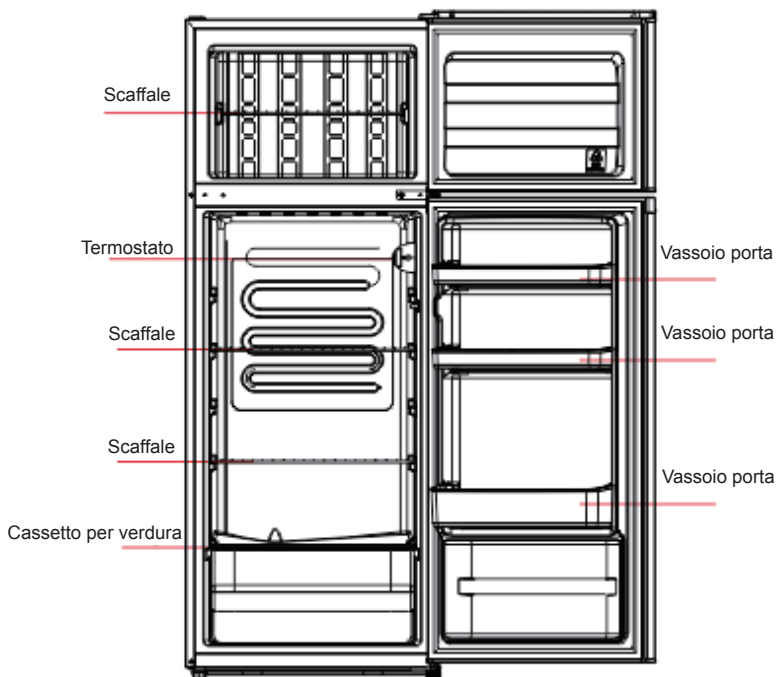
Occorre sempre far scorrere completamente uno dei ripiani di conservazione in vetro più in basso delle guide di scorrimento, al di sopra dei contenitori di frutta e verdura e tenerlo in questa posizione. A questo scopo, tirare in avanti il ripiano di conservazione finché non può essere estratto verso l'alto o verso il basso e rimuoverlo.

Fare la stessa operazione al contrario, provando a inserire il ripiano a una diversa altezza.



Per liberare il massimo volume per il vano di conservazione dei cibi freschi e congelati, è possibile rimuovere dall'elettrodomestico uno o più cassetti o ripiani in base alle proprie esigenze di utilizzo quotidiano.

3. PANORAMICA DEL PRODOTTO



Cassetti, contenitori per alimenti, ripiani ecc. posizionati in base alla posizione nella foto sopra sono i più efficienti dal punto di vista energetico.

*La figura precedente è a solo scopo indicativo. La configurazione effettiva dipende dalle caratteristiche fisiche del prodotto e dalle indicazioni del distributore.

4. FUNZIONAMENTO

4.1 Accensione dell'unità

Impostazione "Off": Unità spenta

Impostazione "Min": Temperatura meno fredda

Impostazione "Med" o "MID": Normale funzionamento (adatto alla maggior parte delle situazioni)

Impostazione "Max": Temperatura più fredda

- ◆ In giorni di temperatura ambientale elevata, ad esempio in estate, può essere necessario regolare il termostato all'impostazione più fredda (posizione "Max"). In tal caso il compressore potrà rimanere ininterrottamente in funzione per mantenere la bassa temperatura del frigo.
- ◆ Alla prima installazione del frigorifero, impostare la manopola del termostato in posizione "Med".

Lasciar raffreddare completamente il frigorifero prima di mettervi il cibo. Si consiglia di attendere almeno 24 ore e poi iniziare a mettere le vivande nel frigo. La manopola del termostato controlla la temperatura di funzionamento. Quando la manopola di controllo del termostato è in posizione OFF, il frigorifero non funzionerà.

4.2 Rumori all'interno dell'unità!

Talvolta l'unità può fare dei rumori insoliti. Nella maggior parte dei casi, questo è normale, ma occorre comunque prestare attenzione a tali rumori!

Tali rumori sono causati dalla circolazione del liquido refrigerante nel sistema di raffreddamento. Il rumore può essere più accentuato per la presenza di gas CFC liberi. Non è un guasto e non influenza il corretto funzionamento dell'unità. Si tratta del motore del compressore in funzione per pompare il refrigerante nel sistema.

4.3 Suggerimenti per la conservazione di cibi nell'unità

- ◆ Le pietanze a base di carne e pesce cotti devono essere sempre conservati su un ripiano al di sopra di quelli in cui sono riposti carne e pesce crudi per evitare il rischio di contaminazioni batteriche. Conservare carne e pesce fresco adeguatamente coperti in un contenitore abbastanza grande da raccogliere anche eventuali colate di liquido. Sistemare il contenitore nel ripiano più in basso.
- ◆ Lasciare un po' di spazio intorno alle vivande conservate per favorire la corretta circolazione dell'aria all'interno dell'unità. Verificare che tutte le parti dell'unità siano fredde.
- ◆ Per evitare la perdita di aromi o l'essiccazione delle vivande, impacchettarle separatamente. Frutta e verdura possono essere conservati senza essere impacchettati.
- ◆ Far raffreddare i cibi precotti prima di inserirli nell'unità. Questo permetterà di mantenere la giusta temperatura all'interno dell'unità.
- ◆ Per evitare la dispersione di aria fredda dall'unità, ridurre al minimo le aperture della porta. Si suggerisce di aprire la porta solo per inserire o prelevare cibo dal frigo.

4.4 Sostituzione della lampadina di illuminazione

La lampada deve essere sostituita da professionisti

5. PULIZIA

5.1 Sbrinamento

NOTA: QUESTA UNITÀ NON DISPONE DI SISTEMI DI SBRINAMENTO AUTOMATICO.

Servirsi di un raschietto di plastica per rimuovere il ghiaccio dell'evaporatore. Non usare oggetti metallici appunti.

5.2 Pulizia interna ed esterna dell'unità

- ◆ La polvere dietro al frigorifero e sul pavimento deve essere regolarmente rimossa per migliorare il funzionamento e risparmiare energia.
- ◆ Controllare periodicamente l'accumulo di detriti sulla guarnizione della porta. Pulire la guarnizione della porta con un panno morbido imbevuto con acqua e sapone o un detergente diluito.
- ◆ L'interno del frigorifero va pulito regolarmente per evitare la formazione di cattivi odori.
- ◆ Prima di procedere alla pulizia degli interni, scollegare l'alimentazione, rimuovere tutti i cibi e le bevande, oltre a scaffali, cassetti ecc.
- ◆ Pulire l'interno del frigorifero con un panno morbido o una spugna, imbevuti in una soluzione di 250 cl di acqua tiepida con due cucchiaini di bicarbonato di sodio. Poi sciacquare con acqua e pulire tutto perfettamente. Dopo la pulizia, lasciare aperta la porta del frigo e lasciarlo asciugare prima di riattivare l'alimentazione elettrica.
- ◆ La pulizia di aree del frigo che sono difficili da raggiungere (quali angoli e aperture strette) va effettuata regolarmente servendosi di uno straccio o un pennello morbido. Se necessario, servirsi di strumenti aggiuntivi di pulizia (ad es., bastoncini) per evitare l'accumulo di sporco e residui contaminanti in tali punti.
- ◆ Non usare saponi, detersivi, polveri abrasive, detersivi spray e simili, che potrebbero causare l'accumulo di cattivi odori e anche la contaminazione delle vivande all'interno del frigorifero.
- ◆ Pulire il ripiano delle bottiglie, scaffali e cassetti con un panno morbido imbevuto con acqua e sapone o un detergente diluito. Asciugare il tutto con un panno morbido o lasciar asciugare da sé.
- ◆ Pulire la superficie esterna del frigorifero con un panno morbido inumidito con acqua e sapone, detergente e simili, poi asciugare il tutto.
- ◆ Non usare spazzole rigide o metalliche, strumenti di pulizia in acciaio, sostanze abrasive (ad es. dentifrici), solventi organici (quali alcol, acetone, acetato di isoamile, ecc.), acqua bollente, sostanze acide o alcaline, che potrebbero danneggiare la superficie e l'interno del frigo. L'acqua bollente e i solventi organici, come il benzene, potrebbero deformare o danneggiare le parti in plastica.
- ◆ Durante le operazioni di pulizia, non lavare direttamente con acqua o altri liquidi per evitare il rischio di corto circuito e non compromettere l'isolamento elettrico dell'elettrodomestico.

5.3 Suggerimenti per la pulizia

Sull'esterno dell'unità possono formarsi tracce di condensa. Questo può avvenire in caso di variazioni della temperatura ambientale. Asciugare eventuale umidità residua sull'unità. Se il problema persiste, si consiglia di contattare un tecnico qualificato per richiedere assistenza.

6. MANUTENZIONE

6.1 Sostituzione della luce interna

La lampada deve essere sostituita da professionisti.

6.2 Precauzioni in caso di movimentazione/spostamenti dell'unità

Per spostare l'unità tenerla sempre dai lati o dalla base. Mai sollevare l'unità tenendola dai bordi della superficie superiore.

6.3 Riparazioni

L'unità deve essere riparata solo da tecnici autorizzati, utilizzando sempre parti di ricambio originali. Gli utenti non devono mai tentare di riparare l'unità da soli. Le riparazioni eseguite da personale inesperto possono causare lesioni o malfunzionamenti. Rivolgersi a tecnici specializzati.

6.4 Spegnimento dell'unità per periodi prolungati

Quando l'unità non è utilizzata per periodi prolungati, occorre scollegarla dall'alimentazione elettrica, svuotarla di tutti i cibi e pulire l'elettrodomestico, lasciando la porta aperta per evitare la formazione di cattivi odori.

7. Risoluzione dei problemi

I seguenti problemi semplici possono essere risolti dall'utente. Contattare il servizio di assistenza postvendita se i problemi non si risolvono.

Inattività	Se il frigorifero è collegato all'alimentazione elettrica; Bassa tensione; Mancanza di alimentazione o circuito di sgancio.
Cattivi odori	I cibi che emanano forti odori vanno accuratamente impacchettati; Se ci sono cibi marci; Se l'interno richiede pulizia.
Operatività a lungo termine del compressore	È normale che il frigorifero sia più a lungo in funzione in estate quando la temperatura ambientale è più elevata; Non inserire troppo cibo nel congelatore allo stesso tempo; Non mettere cibi nel congelatore verticale finché non si sono raffreddati; Frequenti aperture della porta del frigorifero.
La luce non emette un bagliore forte	Controllare che il frigorifero sia collegato correttamente all'alimentazione elettrica e che la lampada di illuminazione non sia difettosa.
La porta del frigorifero non si chiude correttamente.	È possibile che la porta sia ostruita da confezioni di cibo; Troppo cibo; Frigorifero inclinato.
Rumori forti	Se il cibo e il frigo sono correttamente livellati; Se gli accessori del frigorifero sono sistemati correttamente.

7.1 Suggerimenti in caso di surriscaldamento:

- ◆ Durante il funzionamento, la struttura esterna del frigorifero si può surriscaldare specialmente in estate a causa delle emissioni del condensatore: si tratta di una cosa normale.
- ◆ Si possono verificare fenomeni di condensazione sulla superficie esterna e sulle guarnizioni della porta del congelatore, specie in caso di elevata umidità ambientale: si tratta di un fenomeno normale e la condensa può essere rimossa con una tovaglia asciutta.
- ◆ Ronzio: Il compressore, soprattutto in fase di avvio o di spegnimento, potrebbe causare un ronzio.

8. RISPARMIO ENERGETICO


Avvertenza sull'energia

- 1) Gli elettrodomestici refrigeranti non possono funzionare correttamente in caso di esposizione prolungata a temperature al di sotto del valore minimo dell'intervallo di utilizzo previsto (possibilità di scongelamento delle vivande conservate o temperature troppo alte nel vano dei cibi congelati).
- 2) Le bevande frizzanti non devono essere conservate nei congelatori né in vani o scomparti a temperature troppo basse, mentre alcuni prodotti come le bevande congelate non devono essere consumati a temperature troppo basse;
- 3) Non superare i tempi di conservazione consigliati dai produttori per vivande di ogni tipo, in particolare per quelle precongelate, in congelatori o altri vani e compartimenti destinati alla conservazione di cibi congelati;
- 4) Prendere tutte le precauzioni necessarie ad evitare aumenti imprevisti di temperatura delle vivande congelate in caso di attività di sbrinamento del frigorifero, ad esempio avvolgendo tali vivande in più fogli di giornale.
- 5) Eventuali aumenti imprevisti di temperatura delle vivande congelate durante attività manuali di sbrinamento, pulizia o manutenzione potrebbero comprometterne la corretta conservazione.

9. SMALTIMENTO

Le unità in disuso hanno sempre un valore residuo. Utilizzando un metodo di smaltimento ecologico sarà possibile riciclare materie prime preziose e riutilizzabili. Il refrigerante e i materiali isolanti in uso nell'unità richiedono procedure di smaltimento speciali. Verificare che nessuna delle tubature sul retro dell'unità siano danneggiate prima dello smaltimento. Rivolgersi al proprio centro comunale per ulteriori informazioni sullo smaltimento della vecchia unità e del materiale di imballaggio della nuova.

Per motivi di sicurezza, rimuovere la porta e i dispositivi di chiusura della vecchia unità prima di smaltirla.

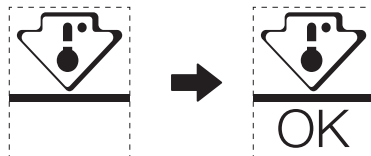
Corretto Smaltimento del prodotto	
	<p>Corretto Smaltimento del prodotto</p> <p>Questo simbolo indica che il presente prodotto non può essere smaltito insieme ai rifiuti domestici in tutta l'Unione Europea. Per evitare possibili danni all'ambiente e alla salute umana dovuti a uno scorretto smaltimento dei rifiuti, riciclarli nel rispetto delle norme vigenti per promuovere un riutilizzo sostenibile dei materiali. Per restituire un apparecchio usato, utilizzare i sistemi previsti per la restituzione e raccolta o contattare il rivenditore presso il quale il prodotto è stato acquistato. I rivenditori sono in grado di ricevere tali prodotti e riciclarli in modo ecologicamente sostenibile.</p>

Per ulteriori informazioni, contattare gli enti locali competenti o il proprio rivenditore del prodotto.

Area più fredda del frigorifero

OPZIONALE: indicatore di temperatura OK

- L'indicatore di temperatura OK può essere utilizzato per determinare le temperature inferiori a +4°C. Riduce gradualmente la temperatura se il segnale non indica "OK".



- Per garantire la temperatura in questa zona, non cambiare il posizionamento del ripiano. Nei frigoriferi raffreddati ad aria (dotati di ventola o modello No Freeze), il simbolo dell'area più fredda non è rappresentato perché la temperatura interna è omogenea.

Impostazione dell'indicatore di temperatura

- Per aiutarvi a regolare correttamente il vostro frigorifero, è dotato di un indicatore di temperatura che controlla la temperatura media della zona più fredda.
- **AVVERTENZA:** Questo indicatore è destinato a funzionare solo con il vostro frigorifero, non utilizzatelo su un altro frigorifero (infatti la zona più fredda non è la stessa) o per qualsiasi altro uso.

Controllo della temperatura nella zona più fredda

- L'indicatore di temperatura consente di verificare regolarmente se la temperatura della zona più fredda è corretta. Infatti, la temperatura interna del frigorifero dipende da diversi fattori, come la temperatura ambiente, la quantità di alimenti conservati e la frequenza di apertura della porta. Tenere conto di questi fattori quando si imposta l'apparecchio.
- Quando l'indicatore mostra "OK", significa che il termostato è impostato correttamente e che la temperatura interna è corretta.
- Se l'indicatore di temperatura diventa BIANCO, significa che la temperatura è troppo alta; in questo caso, aumentare l'impostazione di regolazione della temperatura del frigorifero e attendere 12 ore prima di controllare nuovamente l'indicatore. Quando sono stati inseriti alimenti freschi o lo sportello è stato lasciato aperto, è possibile che l'indicatore di temperatura diventi BIANCO dopo qualche tempo.

Tabella 1 Classi climatiche

Classe	Simbolo	Intervallo di temperatura ambientale °C
Area temperata estesa	SN	da +10 a +32
Area Temperata	N	da +16 a +32
Area Subtropicale	ST	da +16 a +38
Area Tropicale	T	da +16 a +43

Area temperata estesa: "Questo apparecchio di refrigerazione è destinato a essere utilizzato a temperature ambiente comprese tra 10°C e 32°C";

Area Temperata: "Questo apparecchio di refrigerazione è destinato a essere utilizzato a temperature ambiente comprese tra 16 °C e 32°C";

Area Subtropicale: "Questo apparecchio di refrigerazione è destinato a essere utilizzato a temperature ambiente comprese tra 16°C e 38 °C";

Area Tropicale: "Questo apparecchio di refrigerazione è destinato a essere utilizzato a temperature ambiente comprese tra 16°C e 43°C";

Le parti ordinate nella seguente tabella possono essere acquistate dal canale:

Parte ordinata	Fornito da	Tempo minimo richiesto per la fornitura
termostati	Personale di manutenzione professionale	Almeno 7 anni dopo il lancio sul mercato dell'ultimo modello
sensori temperatura	Personale di manutenzione professionale	Almeno 7 anni dopo il lancio sul mercato dell'ultimo modello
circuiti stampati	Personale di manutenzione professionale	Almeno 7 anni dopo il lancio sul mercato dell'ultimo modello
sorgenti luminose	Personale di manutenzione professionale	Almeno 7 anni dopo il lancio sul mercato dell'ultimo modello
maniglie porta	Riparatori professionisti e utenti finali	Almeno 7 anni dopo il lancio sul mercato dell'ultimo modello
cardini porta	Riparatori professionisti e utenti finali	Almeno 7 anni dopo il lancio sul mercato dell'ultimo modello
vassoi	Riparatori professionisti e utenti finali	Almeno 7 anni dopo il lancio sul mercato dell'ultimo modello
cestelli	Riparatori professionisti e utenti finali	Almeno 7 anni dopo il lancio sul mercato dell'ultimo modello
guarnizioni porta	Riparatori professionisti e utenti finali	Almeno 10 anni dopo il lancio sul mercato dell'ultimo modello

Gentile cliente

1. Per restituire o sostituire il prodotto, rivolgersi al punto vendita presso cui è stato acquistato. (Ricordarsi di portare la ricevuta dell'acquisto)
2. In caso il prodotto necessiti di riparazione, occorre contattare il centro di assistenza post-vendita.

Índice

1.	AVISOS DE SEGURANÇA.....	PT-1
2.	INSTALAÇÃO	PT-3
2.1	LOCALIZAÇÃO	PT-3
2.2	INVERTER A ABERTURA DA PORTA (OPCIONAL).....	PT-3
2.3	INSTALAR O PUXADOR DA PORTA (OPCIONAL).....	PT-8
2.4	REQUISITOS DE ESPAÇO DA PORTA.....	PT-9
2.5	NIVELAR O APARELHO	PT-9
2.6	LIMPAR ANTES DE UTILIZAR.....	PT-9
2.7	ANTES DE UTILIZAR O APARELHO.....	PT-9
2.8	ACESSÓRIOS INTERIORES.....	PT-10
3.	APRESENTAÇÃO DO PRODUTO.....	PT-10
4.	FUNIONAMENTO.....	PT-11
4.1	LIGAR O APARELHO.....	PT-11
4.2	RÚIDO NO INTERIOR DO APARELHO!.....	PT-11
4.3	CONSELHOS PARA A CONSERVAÇÃO DE ALIMENTOS NO APARELHO	PT-11
4.4	SUBSTITUIR A LÂMPADA.....	PT-11
5.	LIMPEZA	PT-12
5.1	DESCONGELAR	PT-12
5.2	LIMPAR O INTERIOR E O EXTERIOR DO APARELHO	PT-12
5.3	CONSELHOS DE LIMPEZA.....	PT-12
6.	MANUTENÇÃO	PT-13
6.1	SUBSTITUIR A LUZ INTERNA.....	PT-13
6.2	CUIDADOS AO MANUSEAR/MOVER O APARELHO	PT-13
6.3	MANUTENÇÃO	PT-13
6.4	DESLIGAR POR LONGOS PERÍODOS	PT-13
7.	RESOLUÇÃO DE PROBLEMAS.....	PT-13
7.1	CONSELHOS ÚTEIS:	PT-14
8.	PARA POUPAR ENERGIA	PT-14
9.	ELIMINAÇÃO	PT-14

1. AVISOS DE SEGURANÇA



Aviso : perigo de incêndio/materiais inflamáveis

ESTE aparelho destina-se a ser utilizado em casa e em aplicações semelhantes, tais como áreas de cozinha para pessoal em lojas, escritórios e outros ambientes de trabalho; quintas e por clientes em hotéis, motéis e outros tipos de ambientes residenciais; ambientes tipo pousada; serviços de catering e aplicações semelhantes que não se destinem a retalho.

ESTE aparelho não se destina a ser usado por pessoas (incluindo crianças) com capacidades físicas, sensoriais ou mentais reduzidas, ou por pessoas sem experiência e conhecimentos, exceto se forem supervisionadas ou tenham sido instruídas relativamente à utilização do aparelho por alguém responsável pela sua segurança.

As crianças devem ser vigiadas para garantir que não brincam com o aparelho.

Se o cabo de alimentação estiver danificado, deve ser substituído pelo fabricante, pelo seu agente de assistência técnica ou por um profissional igualmente qualificado, para evitar qualquer perigo.

NÃO guarde substâncias explosivas, tais como latas de aerossol com propulsor inflamável, neste aparelho.

ESTE aparelho deve ser desligado da corrente após a utilização e antes de realizar a sua manutenção.

AVISO: Deve manter as aberturas de ventilação, na caixa do aparelho ou na estrutura encastrada, devidamente desobstruídas.

AVISO: Não utilizar dispositivos mecânicos nem outros meios para acelerar o processo de descongelação, a não ser os recomendados pelo fabricante.

AVISO: Não danificar o circuito de refrigeração.

AVISO: Não utilizar aparelhos elétricos no interior dos compartimentos de conservação de alimentos, a não ser os dos tipos recomendados pelo fabricante.

AVISO: Eliminar o frigorífico de acordo com os regulamentos locais, uma vez que este usa gás de exaustão e refrigerante inflamáveis.

AVISO: Ao posicionar o aparelho, assegurar que o cabo de alimentação não está preso ou danificado.

AVISO: Não colocar extensões múltiplas portáteis ou fontes de alimentação portáteis atrás do aparelho.

NÃO utilizar cabos de extensão ou adaptadores (dois pinos) que não estejam ligados à terra.

PERIGO: Perigo de aprisionamento de crianças. Antes de deitar fora o seu frigorífico ou congelador antigo:

- Retirar as portas.
- Deixar as prateleiras na posição, para impedir que as crianças subam facilmente para o interior do mesmo.

O frigorífico deve estar desligado da fonte de alimentação elétrica antes de tentar instalar acessórios.

O REFRIGERANTE e material de espuma ciclopentano usados para o eletrodoméstico são inflamáveis. Portanto, quando o aparelho é eliminado, deve ser mantido afastado de qualquer fonte de fogo e ser recuperado por uma empresa de recuperação especial com qualificação correspondente que não seja ser eliminado por combustão, de modo a evitar danos para o ambiente ou qualquer outro dano.

PARA a norma EN: Este aparelho pode ser utilizado por crianças a partir dos 8 anos de idade e por pessoas com capacidades físicas, sensoriais ou mentais reduzidas, ou por pessoas sem experiência e conhecimentos, desde que sejam supervisionadas ou tenham sido instruídas relativamente à utilização do aparelho de forma segura e compreendam os riscos envolvidos. As crianças não devem brincar com o aparelho. A limpeza e a manutenção não devem ser realizadas por crianças sem supervisão. As crianças entre os 3 e os 8 anos de idade estão autorizadas a carregar e descarregar aparelhos de refrigeração.

A necessidade de, para as portas ou tampas equipadas com fechaduras e chaves, as chaves serem mantidas fora do alcance das crianças e não nas proximidades do frigorífico, a fim de evitar que as crianças fiquem trancadas no seu interior.

PARA evitar a contaminação dos alimentos, deve respeitar as seguintes instruções:

- A abertura da porta por longos períodos pode causar um aumento significativo da temperatura nos compartimentos do aparelho.
- Limpar regularmente as superfícies que entram em contacto com alimentos e os sistemas de drenagem acessíveis.
- Limpar os reservatórios de água, caso não tenham sido usados durante 48 h; faça a descarga do sistema de água ligado ao sistema de abastecimento de água, se não tiver sido esvaziada a água há 5 dias. (nota 1)
- Guardar carne e peixe cru em recipientes adequados no frigorífico para não pingarem nem entrarem em contacto com outros alimentos.
- Os compartimentos de alimentos congelados de duas estrelas são adequados para conservar alimentos pré-congelados, conservar ou fazer gelados e fazer cubos de gelo. (nota 2)
- Compartimentos de uma -, duas - e três estrelas não são adequados para congelar alimentos frescos. (nota 3).
- Se o frigorífico estiver vazio durante longos períodos, deve desligar, descongelar, limpar, secar o mesmo e deixar a porta aberta para evitar o aparecimento de bolor no interior do aparelho.
- Para aparelhos sem um compartimento de 4 estrelas: este frigorífico não é adequado para congelar produtos alimentares. (nota 4)

Notas 1, 2, 3, 4: Confirmar se é aplicável de acordo com o tipo de compartimento do produto.

PARA um aparelho independente: este frigorífico não se destina a ser usado como aparelho encastrado.

QUALQUER substituição ou manutenção das lâmpadas LED deve ser feita pelo fabricante, por um agente de assistência autorizado ou por uma pessoa igualmente qualificada.

2. INSTALAÇÃO

2.1 Localização

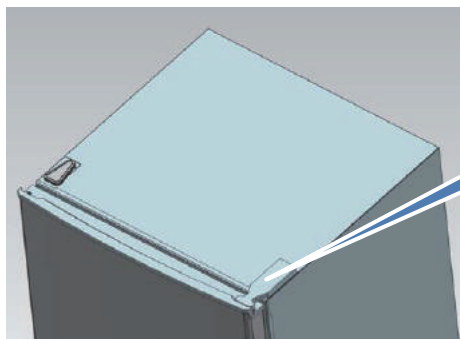
Quando escolher onde posicionar o seu aparelho, deve confirmar se o chão é plano e sólido e se a divisão tem uma boa ventilação. Evite colocar o aparelho perto de uma fonte de calor, p. ex. fogão, caldeira ou radiador. Evite também a luz solar direta, uma vez que pode aumentar o consumo de energia elétrica. As temperaturas ambientes demasiado baixas também podem provocar o funcionamento incorreto do aparelho. Este aparelho não se destina a ser utilizado numa garagem ou no exterior. Não cubra o aparelho com qualquer tipo de cobertura.

Ao instalar o aparelho, garanta que são deixados 10 cm de espaço livre em ambos os lados, 10 cm na parte traseira e 30 cm na parte superior do aparelho. Isto irá permitir que o ar frio circule à volta do refrigerador de vinhos e melhorar a eficiência do processo de arrefecimento.

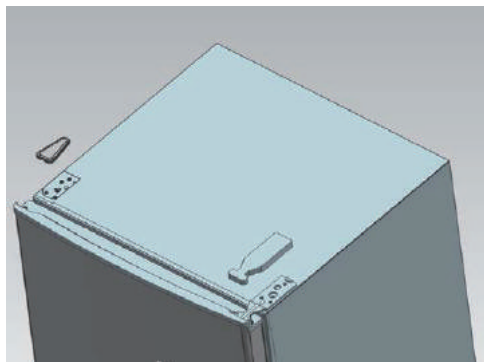
2.2 Inverter a abertura da porta (opcional)

Ferramentas necessárias: Chave de fendas Phillips/chave de ponta plana/chave inglesa

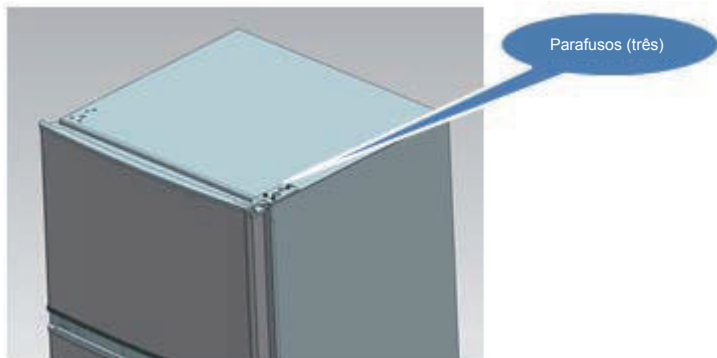
- 1) Remova a tampa da dobradiça superior.



Tampa da dobradiça superior

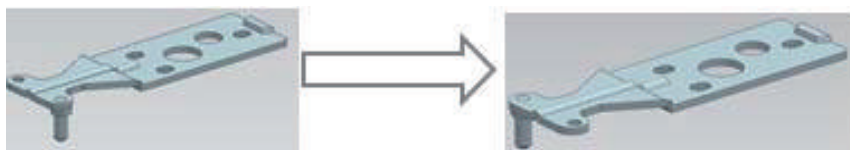


2) Retire os parafusos da dobradiça superior com a chave de fendas em cruz.

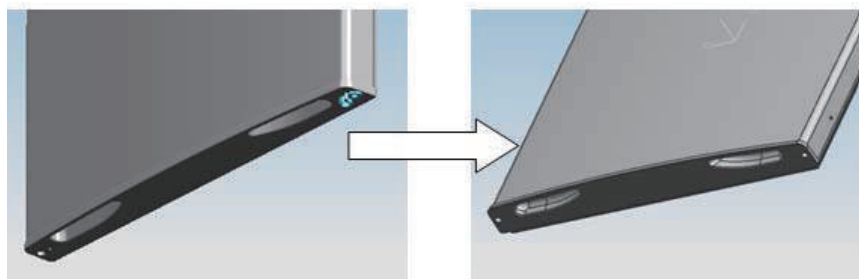


3) Coloque a dobradiça superior, o bloco limitador da porta superior e a bucha do mancal da porta no outro lado.

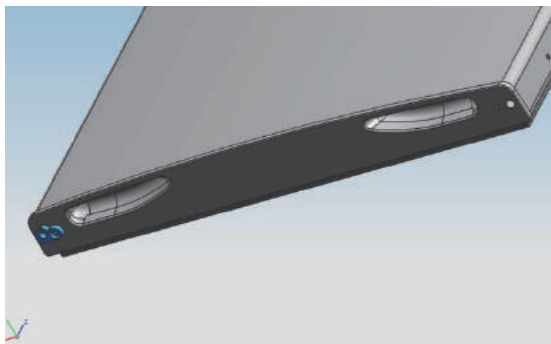
A. Retire a porca com a bucha. Retire a anilha, em seguida retire os eixos, coloque-os no outro lado e fixe-os.



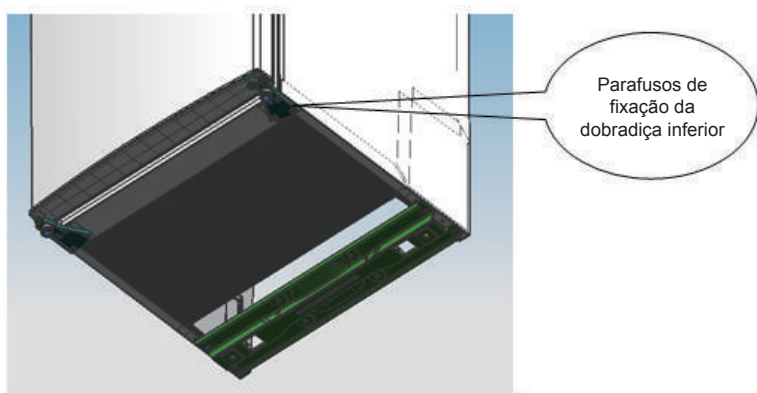
B. Retire o bloco limitador da porta.



C. Retire o outro bloco limitador da porta aparafusado na porta.

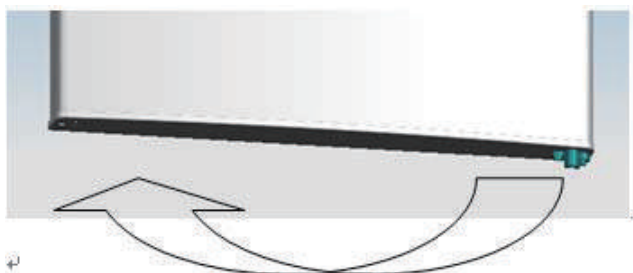


- 4) Retire os parafusos de fixação da dobradiça inferior com a chave de fendas de cruz.

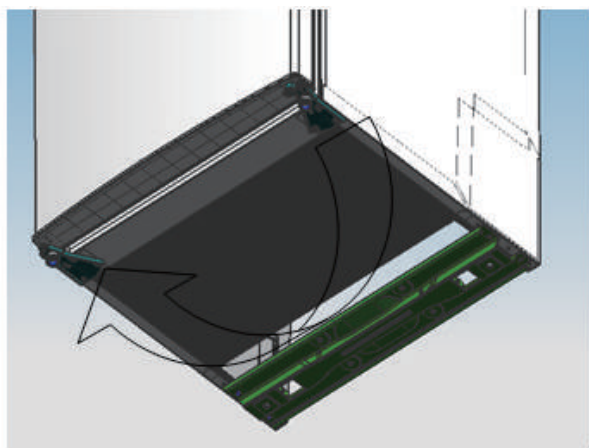


Nota: o ângulo de inclinação do combinado deve ser inferior a 45°.

- 5) Coloque a bucha do mancal e o bloco limitador da porta inferior.



- 6) Coloque a dobradiça inferior no outro lado e depois fixe-a com os parafusos.



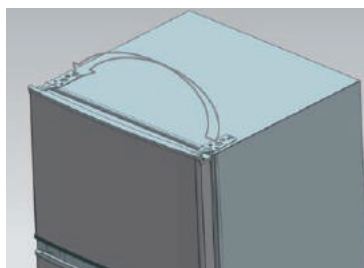
7) Coloque a dobradiça do meio.



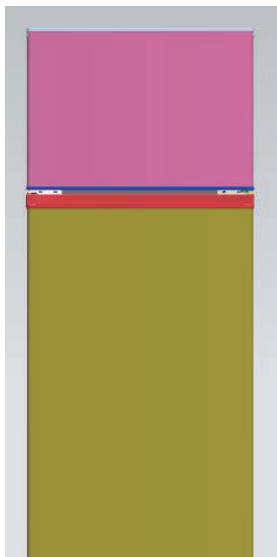
8) Coloque a porta de baixo direita, fixe a dobradiça do meio.



9) Coloque a dobradiça superior.



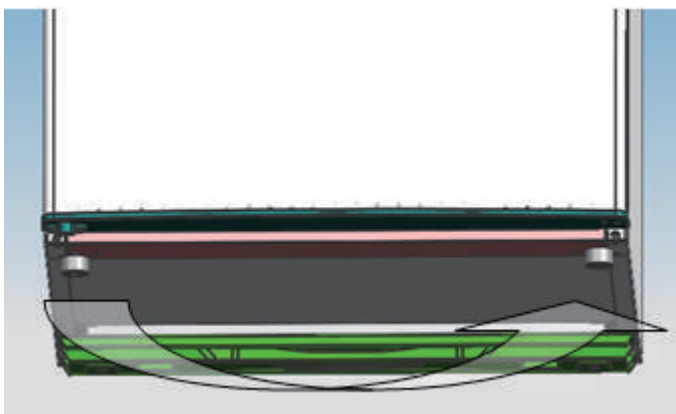
10) Coloque a porta de cima direita, fixe a dobradiça superior e a tampa.



11) Instale as quatro tampas dos parafusos e as duas linguetas na posição correspondente.

- Confirme se o aparelho está desligado da tomada e vazio.
- Ajuste os dois pés niveladores para a posição mais alta.
- Recomendamos ter a assistência de outra pessoa.

12) Coloque o nivelador no outro lado e ajuste-o para garantir que o frigorífico está nivelado.



*A imagem acima é apenas para referência. A configuração real dependerá do produto físico ou da declaração do distribuidor.

2.3 Instalar o puxador da porta (opcional)

Nota: As figuras no manual do utilizador são apenas para referência. O produto real pode variar ligeiramente. O frigorífico deve estar desligado da fonte de alimentação elétrica antes de tentar instalar acessórios.

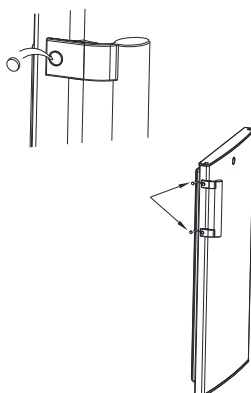
Passo 1: retirar os dois pinos de encaixar da porta (Lado da porta aberta)



Passo 2: Instalar o puxador da porta na porta e fixar com parafusos



Passo 3: Colocar as tampas dos parafusos do puxador nos orifícios dos parafusos

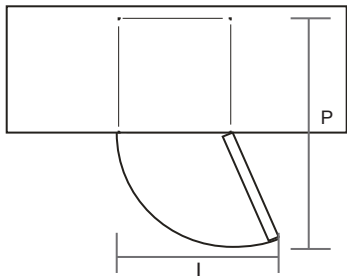


*A imagem acima é apenas para referência. A configuração real dependerá do produto físico ou da declaração do distribuidor.

2.4 Requisitos de espaço da porta

A porta do aparelho deve abrir totalmente, tal como apresentado.

$L \times P \geq 902 \times 1052$ mm



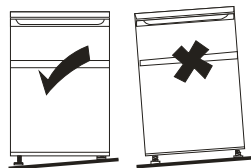
2.5 Nivelar o aparelho

Para fazer isto, ajuste os dois pés niveladores na parte da frente do aparelho.

Se o aparelho não estiver nivelado, as juntas da porta e do vedante magnético não ficarão devidamente tapadas.

Certifique-se de que os pés tocam o chão antes de utilizar o aparelho.

Olhe de cima para baixo, no sentido dos ponteiros do relógio e no sentido contrário ao dos ponteiros do relógio, afrouxando ou apertando.



2.6 Limpar antes de utilizar

Limpe o interior do aparelho com uma solução fraca de bicarbonato de soda. Em seguida, enxágue com água morna, utilizando uma esponja ou um pano. Lave as prateleiras e a gaveta de saladas em água morna e detergente e seque-as completamente antes de as voltar a colocar no aparelho. Limpe o exterior do aparelho com um pano húmido.

Se necessitar de mais informação, consulte a secção de Limpeza.

2.7 Antes de utilizar o aparelho

Não danificar o cabo de alimentação sob nenhuma condição, para garantir um uso em segurança, não usar quando o cabo de alimentação estiver danificado ou a ficha estiver desgastada.

Não coloque produtos inflamáveis, explosivos, voláteis e altamente corrosivos no frigorífico para evitar danos ou acidentes com fogo.

Não coloque produtos inflamáveis perto do frigorífico para evitar incêndios.

Este produto é um frigorífico para uso doméstico e destina-se exclusivamente à conservação de alimentos. De acordo com as normas nacionais, os frigoríficos para uso doméstico não devem ser utilizados para outros fins, tais como armazenamento de sangue, medicamentos ou produtos biológicos.

Não colocar itens como recipientes de líquidos engarrafados ou herméticos, tais como cervejas e bebidas engarrafadas no congelador para evitar explosões e outras perdas.

Antes de colocar alimentos no aparelho, ligue-o e aguarde 24 horas, para ter a certeza de que está a funcionar corretamente e para permitir que a temperatura desça até atingir a temperatura correta. O aparelho não deve ser enchido em demasia.



◆ Antes de ligar à corrente!!

Deve verificar se tem uma tomada que seja compatível com a ficha fornecida com o aparelho.

◆ Antes de ligar!

Aguarde duas horas para ligar depois de mover o aparelho.

2.8 Acessórios interiores

Estão incluídas várias prateleiras de vidro ou plástico juntamente com o seu eletrodoméstico - diferentes modelos apresentam diferentes combinações.

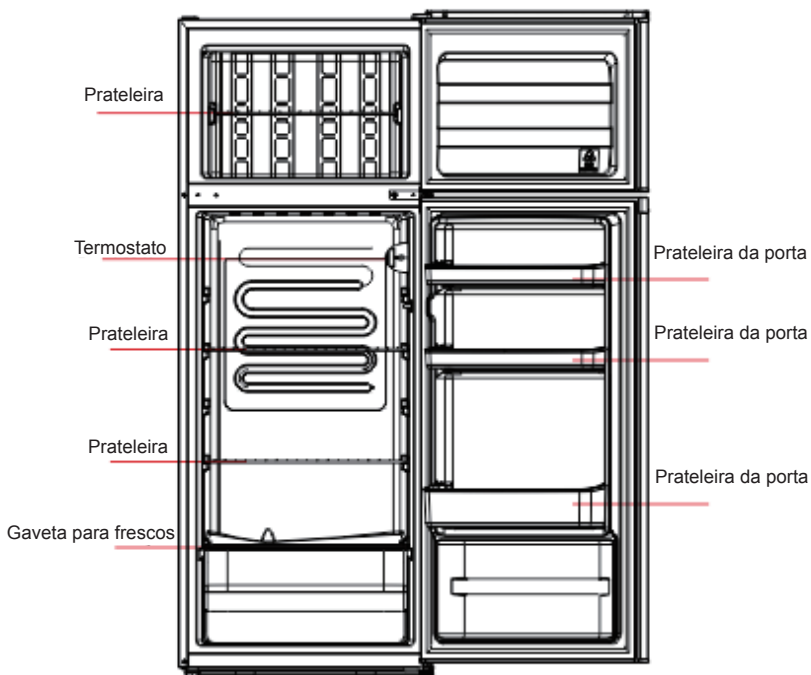
Deve deslizar sempre uma das prateleiras de vidro grandes no conjunto de calhas mais baixo, por cima das gavetas da fruta e dos legumes e deixá-la ficar nesta posição. Para tal, puxe a prateleira para a frente até que esta possa ser rodada para cima ou para baixo e removida.

Faça o processo inverso para inserir a prateleira a uma altura diferente.



Para aproveitar ao máximo o volume do compartimento de armazenamento de alimentos frescos e do compartimento de armazenamento de alimentos congelados, pode retirar uma ou mais prateleiras e gavetas do aparelho em função da sua utilização diária.

3. APRESENTAÇÃO DO PRODUTO



Gavetas, caixas de alimentos, prateleiras, etc. colocadas de acordo com a posição na imagem acima, são as mais eficientes em termos energéticos.

*A imagem acima é apenas para referência. A configuração real dependerá do produto físico ou da declaração do distribuidor.

4. FUNCIONAMENTO

4.1 Ligar o aparelho

Definição "Off": Unidade desligada

Definição "Min": Temperatura menos fria

Definição "Med" ou "MID": Funcionamento normal (adequado para a maioria das situações)

Definição "Max": Temperatura mais fria

- ◆ Durante temperaturas ambiente elevadas, por exemplo, em dias quentes de verão. Pode ser necessário regular o termostato para a definição mais fria (posição "Max"). Isto pode levar o compressor a funcionar continuamente para manter a temperatura baixa no frigorífico.
- ◆ Da primeira vez que instalar o seu frigorífico, ajuste o botão do termostato para "Med".

Permita que o seu frigorífico arrefeça completamente, antes de adicionar alimentos. É preferível aguardar 24 horas antes de adicionar alimentos. O botão do termostato controla a temperatura. Quando o botão de controlo do termostato é regulado para OFF, o frigorífico não funciona.

4.2 Ruído no interior do aparelho!

Poderá reparar que o seu aparelho faz alguns ruídos estranhos. A maioria é perfeitamente normal, mas deve estar ciente deles!

Tais ruídos são provocados pela circulação do líquido refrigerante no sistema de refrigeração. Estes tomaram-se mais pronunciados desde a introdução dos gases livres de CFC. Não se trata de uma falha e não afetará o desempenho do seu aparelho. Trata-se do motor do compressor a trabalhar, enquanto bombeia o refrigerante através do sistema.

4.3 Conselhos para a conservação de alimentos no aparelho

- ◆ A carne e o peixe cozinhados devem ser sempre guardados numa prateleira acima de carne e peixe crus para evitar a transferência de bactérias. Guarde carne/peixe cru em recipientes suficientemente grandes para recolher os líquidos e cubra devidamente. Coloque o recipiente na prateleira mais baixa.
- ◆ Deixe espaço à volta dos alimentos para permitir a circulação de ar no interior do aparelho. Confirme se todas as partes do aparelho se mantêm frias.
- ◆ Para evitar transferir sabores e secar os alimentos, embale-os ou cubra-os separadamente. Fruta e legumes não precisam de ser embalados.
- ◆ Deixe sempre arrefecer os alimentos pré-cozinhados antes de os colocar no aparelho. Isto ajudará a manter a temperatura interna do aparelho.
- ◆ Para evitar a fuga de ar frio do aparelho, tente limitar o número de vezes que abre a porta. Recomendamos abrir apenas a porta quando precisa de colocar ou retirar alimentos.

4.4 Substituir a lâmpada

A substituição da lâmpada deve ser realizada por profissionais.

5. LIMPEZA

5.1 Descongelar

NOTE QUE ESTE APARELHO NÃO TEM UM SISTEMA DE DESCONGELAÇÃO AUTOMÁTICO.

Utilize um raspador plástico para o gelo quando limpar o gelo do evaporador. Não utilize objetos metálicos afiados.

5.2 Limpar o interior e o exterior do aparelho

- ◆ O pó e poeira atrás do frigorífico e no chão devem ser limpos para melhorar o efeito de arrefecimento e poupar energia.
- ◆ Verificar o vedante da porta regularmente para se certificar que não tem detritos. Limpar o vedante da porta com um pano humedecido com água com sabão ou detergente diluído.
- ◆ O interior do frigorífico deve ser limpo regularmente para evitar odores.
- ◆ Desligue da corrente antes de limpar o interior, retirar todos os alimentos, bebidas, prateleiras, gavetas, etc.
- ◆ Utilize um pano macio ou uma esponja para limpar o interior do frigorífico, com duas colheres de sopa de bicarbonato de soda num litro de água morna. Em seguida, enxaguar com a água e limpar. Depois de limpar, abrir a porta e deixar secar naturalmente antes de ligar a alimentação.
- ◆ Para as áreas difíceis de limpar no frigorífico (tais como espaços ou cantos estreitos), é recomendado esfregá-las regularmente com um pano macio, uma escova macia, etc. e, quando necessário, combinar com ferramentas auxiliares (como palitos finos) para garantir que não há acumulação de contaminantes ou bactérias nestas áreas.
- ◆ Não utilize sabão, detergente, pó para esfregar, detergente em spray, etc., pois estes podem causar odores no interior do frigorífico ou a contaminação de alimentos.
- ◆ Limpe o suporte de garrafas, as prateleiras e as gavetas com um pano humedecido com água com sabão ou detergente diluído. Secar com um pano macio ou deixar secar naturalmente.
- ◆ Limpe a superfície exterior do frigorífico com um pano humedecido com água com sabão, detergente, etc. e, em seguida, seque.
- ◆ Não utilize escovas duras, esfregões de aço, escovas de arame, produtos abrasivos (como pasta de dentes), solventes orgânicos (como álcool, acetona, óleo de banana, etc.), água a ferver ou produtos ácidos ou alcalinos suscetíveis de danificar a superfície e o interior do frigorífico. Água a ferver e solventes orgânicos, como benzeno, podem deformar ou danificar as peças plásticas.
- ◆ Não passar diretamente por água ou outros líquidos durante a limpeza para evitar curto-circuitos ou afetar o isolamento elétrico depois da imersão.

5.3 Conselhos de limpeza

Pode aparecer condensação na parte de fora do aparelho. Esta pode dever-se a uma mudança na temperatura ambiente. Limpe qualquer vestígio de humidade. Se o problema persistir, contacte um técnico qualificado para obter assistência.

6. MANUTENÇÃO

6.1 Substituir a luz interna

A substituição da lâmpada deve ser realizada por profissionais.

6.2 Cuidados ao manusear/mover o aparelho

Agarre o aparelho pelos lados ou pela base quando a mover. Em circunstância alguma deverá ser levantada pelas bordas da parte superior.

6.3 Manutenção

O aparelho deve ser reparado e mantido por um técnico autorizado e só devem ser utilizadas peças de origem. Em circunstância alguma deve tentar repará-lo. As reparações levadas a cabo por pessoas sem experiência podem causar lesões ou avarias graves. Fale com um técnico qualificado.

6.4 Desligar por longos períodos

Sempre que o aparelho não for utilizado por longos períodos, desligue-o da corrente, retire todos os alimentos do seu interior, limpe-o e deixe a porta aberta para evitar odores desagradáveis.

7. Resolução de problemas

Podem ser solucionados pelo utilizador os seguintes problemas simples. Contactar o departamento de assistência pós-venda se os problemas não forem solucionados.

Inoperacional	Quer o frigorífico esteja ligado e ligado à alimentação; Tensão fraca; Falha de energia ou disparo do disjuntor.
Odores	Os alimentos com odores fortes devem ser embalados e bem fechados; Se os alimentos estiverem estragados; Se o interior tiver de ser limpo.
Funcionamento a longo prazo do compressor	É normal que o frigorífico funcione durante mais tempo no verão, quando a temperatura ambiente é mais elevada; Não coloque demasiados alimentos no congelador de uma só vez; Não coloque alimentos sem que antes tenham arrefecido; Abertura frequente da porta do frigorífico.
A luz de iluminação não acende	Verifique se o frigorífico está ligado à corrente, verifique se a lâmpada tem danos.
Não é possível fechar corretamente a porta do frigorífico.	A porta do congelador está bloqueada com pacotes de alimentos. Demasiados alimentos; Verifique se o frigorífico está inclinado.
Ruídos altos	Verifique se os alimentos estão distribuídos de forma equilibrada, se o frigorífico está nivelado; se as partes do frigorífico estão colocadas corretamente.

7.1 Conselhos úteis:

- ◆ A caixa do frigorífico pode emitir calor durante o funcionamento, especialmente no verão, isto é provocado pela radiação do condensador, tratando-se de um fenómeno normal.
- ◆ Condensação: o fenómeno da condensação será detetado na superfície exterior e nos vedantes do congelador quando a humidade ambiente é grande, isto é um fenómeno normal e a condensação pode ser removida com uma toalha seca.
- ◆ Zumbido: Será produzido um zumbido quando o compressor está em funcionamento especialmente quando arranca e quando se desliga.

8. PARA POUPAR ENERGIA


Aviso relativo à energia

- 1) Os aparelhos de refrigeração podem não funcionar de forma consistente (possibilidade de descongelamento do conteúdo ou de a temperatura se tornar demasiado quente no compartimento dos alimentos congelados) quando instalados durante um longo período abaixo da extremidade fria do intervalo de temperaturas para o qual o aparelho de refrigeração foi concebido.
- 2) O facto de as bebidas efervescentes não deverem ser colocadas nos compartimentos ou armários do congelador ou nos compartimentos ou armários a baixa temperatura, e de alguns produtos, tais como gelados, de modo a não serem consumidos demasiado frios;
- 3) A necessidade de não ultrapassar o(s) prazo(s) de conservação recomendados pelos produtores de qualquer tipo de alimentos, e particularmente de alimentos comercialmente ultracongelados nos compartimentos ou armários de armazenamento de alimentos congelados e no congelador;
- 4) As precauções necessárias para evitar uma subida excessiva da temperatura dos alimentos congelados durante o processo de descongelação do frigorífico, como embrulhar os alimentos congelados em várias camadas de papel de jornal.
- 5) O facto de que uma subida da temperatura dos alimentos congelados durante a descongelação manual, a manutenção ou a limpeza pode encurtar o prazo de conservação.

9. ELIMINAÇÃO

Os aparelhos eletrodomésticos antigos retêm algum valor residual. Um método de eliminação amigo do ambiente irá garantir a recuperação e reutilização de matérias-primas valiosas. O refrigerante utilizado no seu aparelho e os materiais de isolamento requerem procedimentos de eliminação especiais. Certifique-se de que nenhum tubo na parte posterior do aparelho está danificado antes de proceder à sua eliminação. Poderá obter informação atualizada sobre as opções de eliminação do seu aparelho antigo, bem como da embalagem do novo, nos respetivos serviços do seu município.

Quando se desfizer de um aparelho eletrodoméstico antigo, parta as fechaduras ou os trincos e tire a porta como salvaguarda.

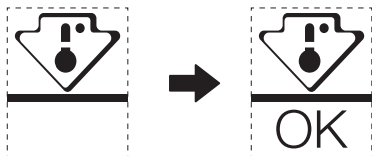
Eliminação correta deste produto	
	<p>Eliminação correta deste produto</p> <p>Esta marcação indica que este produto não deve ser depositado com os resíduos domésticos em toda a UE. Para evitar possíveis danos no meio ambiente ou à saúde humana devido à eliminação não controlada de resíduos, deve reciclar o mesmo responsavelmente para promover a reutilização sustentável dos recursos materiais. Para devolver o seu aparelho usado, utilizar os sistemas de recolha e devolução ou contactar o revendedor onde o produto foi adquirido. Estas entidades podem aceitar este produto para realizar a sua reciclagem ambientalmente segura.</p>

Para mais informação, entre em contacto com as autoridades locais ou com a loja onde adquiriu o produto.

Zona mais fria do frigorífico

OPCIONAL: Indicador de temperatura OK

- O indicador de temperatura OK pode ser utilizado para determinar temperaturas inferiores a +4° C. Reduz gradualmente a temperatura se o sinal não indicar "OK".



- Para assegurar a temperatura nesta área, não alterar o posicionamento da prateleira. Frigoríficos de ar informados (equipados com modelo com ventilador ou Sem Congelação), o símbolo da zona mais fria não é representado porque a temperatura no interior é homogênea.

Configuração do indicador de temperatura

- Para ajudar a regular bem o seu frigorífico, está equipado com um indicador de temperatura que controlará a temperatura média na zona mais fria.
- AVISO: Este indicador destina-se a funcionar apenas com o seu frigorífico, não o utilize noutro frigorífico (de fato, a zona mais fria não é a mesma), ou para qualquer outra utilização.

Verificação da temperatura na zona mais fria

- Com o indicador de temperatura, pode verificar regularmente se a temperatura da zona mais fria está correta. De fato, a temperatura interna do frigorífico depende de vários factores tais como a temperatura ambiente da sala, a quantidade de alimentos armazenados e a frequência de abertura das portas. Tenha estes fatores em consideração ao configurar o aparelho.
- Quando o indicador mostra "OK", isto significa que o seu termóstato está bem ajustado e a temperatura interna correta.
- Se o indicador de temperatura ficar BRANCO, isto significa que a temperatura é demasiado elevada; neste caso, aumente a regulação do controlo da temperatura do frigorífico e aguarde 12 horas antes de efetuar uma nova inspeção visual do indicador. Quando os alimentos frescos tiverem sido introduzidos ou a porta tiver sido deixada aberta, é possível que o indicador de temperatura fique BRANCO passado algum tempo.

Tabela 1 Classes climáticas

Classe	Símbolo	Limite de temperatura ambiente °C
Temperatura alargada	SN	+10 a +32
Temperado	N	+16 a +32
Subtropical	ST	+16 a +38
Tropical	T	+16 a +43

Intervalo de temperatura: “Este aparelho frigorífico destina-se a ser utilizado em temperaturas ambientes variando entre 10°C a 32°C;”

Temperado: “Este aparelho frigorífico destina-se a ser utilizado em temperaturas ambientes variando entre 16°C a 32°C;”

Subtropical: “Este aparelho frigorífico destina-se a ser utilizado em temperaturas ambientes variando entre 16°C a 38°C;”

Tropical: “Este aparelho frigorífico destina-se a ser utilizado em temperaturas ambientes variando entre 16°C a 43°C;”

As peças encomendadas na tabela que se segue podem ser adquiridas a partir do canal:

Peça encomendada	Fornecida por	Tempo mínimo necessário para provisionamento
Termostatos	Pessoal de manutenção profissional	Pelo menos 7 anos após o último modelo ser lançado no mercado
Sensores de temperatura	Pessoal de manutenção profissional	Pelo menos 7 anos após o último modelo ser lançado no mercado
placas de circuito impresso	Pessoal de manutenção profissional	Pelo menos 7 anos após o último modelo ser lançado no mercado
Fontes de luz	Pessoal de manutenção profissional	Pelo menos 7 anos após o último modelo ser lançado no mercado
Manípulos da porta	Reparadores profissionais e utilizadores finais	Pelo menos 7 anos após o último modelo ser lançado no mercado
Dobradiças da porta	Reparadores profissionais e utilizadores finais	Pelo menos 7 anos após o último modelo ser lançado no mercado
tabuleiros	Reparadores profissionais e utilizadores finais	Pelo menos 7 anos após o último modelo ser lançado no mercado
cestos	Reparadores profissionais e utilizadores finais	Pelo menos 7 anos após o último modelo ser lançado no mercado
Vedantes da porta	Reparadores profissionais e utilizadores finais	Pelo menos 10 anos após o último modelo ser lançado no mercado

Caro cliente

1. Se pretender devolver ou substituir o produto, deve contactar o estabelecimento comercial onde o mesmo foi comprado. (Lembre-se de trazer a fatura de compra)
2. Se o seu produto não avariar e necessitar de reparação, deve contactar o prestador de serviço pós-venda.

Περιεχόμενα

1. ΠΡΟΕΙΔΟΠΟΙΗΣΕΙΣ ΑΣΦΑΛΕΙΑΣ	GR-1
2. ΕΓΚΑΤΑΣΤΑΣΗ	GR-4
2.1 Τοποθεσία.....	GR-4
2.2 Αναστροφή της Ταλάντευσης της Πόρτας (προαιρετικός)	GR-4
2.3 Εγκατάσταση Χειρολαβής Πόρτας (προαιρετικός).....	GR-9
2.4 Απαιτήσεις Χώρου Πόρτας	GR-9
2.5 Ευθυγράμμιση της Μονάδας	GR-10
2.6 Καθαρισμός Πριν Από Τη Χρήση	GR-10
2.7 Πριν Χρησιμοποιήσετε Τη Μονάδα Σας	GR-10
2.8 Αξεσουάρ Εσωτερικού Χώρου	GR-11
3. ΕΠΙΣΚΟΠΗΣΗ ΠΡΟΪΟΝΤΟΣ	GR-11
4. ΛΕΙΤΟΥΡΓΙΑ	GR-12
4.1 Ενεργοποίηση της Μονάδας Σας.....	GR-12
4.2 Θόρυβος Μέσα στη Μονάδα!	GR-12
4.3 Συμβουλές για τη Διατήρηση της Τροφής στη Μονάδα	GR-12
4.4 Αλλάξτε τη Λάμπα Φωτός	GR-12
5. ΚΑΘΑΡΙΣΜΟΣ.....	GR-13
5.1 Απόψυξη.....	GR-13
5.2 Καθαρισμός Εσωτερικού και Εξωτερικού χώρου της Μονάδας.....	GR-13
5.3 Συμβουλές Καθαρισμού	GR-13
6. ΣΥΝΤΗΡΗΣΗ	GR-14
6.1 Αλλαγή του Εσωτερικού Φωτός	GR-14
6.2 Φροντίδα Κατά Το Χειρισμό / Μετακίνηση Της Μονάδας Σας.....	GR-14
6.3 Συντήρηση	GR-14
6.4 Απενεργοποίηση για Μεγάλα Χρονικά Διαστήματα	GR-14
7. Αντιμετώπιση προβλημάτων.....	GR-14
7.1 Συμβουλές για τη Θερμότητα:	GR-14
8. ΓΙΑ ΕΞΟΙΚΟΝΟΜΗΣΗ ΕΝΕΡΓΕΙΑΣ.....	GR-15
9. ΔΙ'ΑΘΕΣΗ	GR-15

1. ΠΡΟΕΙΔΟΠΟΙΗΣΕΙΣ ΑΣΦΑΛΕΙΑΣ



Προειδοποίηση: κίνδυνος πυρκαγιάς / εύφλεκτων υλικών

Η παρούσα συσκευή προορίζεται για οικιακή χρήση και παρόμοιες εφαρμογές όπως χώροι κουζίνας προσωπικού σε καταστήματα, γραφεία και λουπά εργασιακά περιβάλλοντα, αγροτικές κατοικίες και από πελάτες σε τουριστικά καταλύματα, ξενοδοχεία και λουπά περιβάλλοντα κατοικίας, σε περιβάλλοντα βραχείας διαμονής, υπηρεσίας τροφοδοσίας τροφίμων και παρόμοιες εφαρμογές που δεν σχετίζονται με το λιανικό εμπόριο.

Η παρούσα συσκευή δεν προορίζεται για χρήση από άτομα (συμπεριλαμβανομένων παιδιών) με περιορισμένες φυσικές, αισθητικές ή νοητικές ικανότητες ή περιορισμένη εμπειρία και γνώσεις, εκτός αν τους έχουν παρασχεθεί οδηγίες και εντολές σχετικά με τη χρήση της συσκευής από άτομο υπεύθυνο για την ασφάλειά τους.)

Τα παιδιά κρίνεται απαραίτητο να επιβλέπονται, έτσι ώστε να διασφαλιστεί πως δεν παίζουν με τη συσκευή.

ΕΆΝ το καλώδιο τροφοδοσίας υποστεί βλάβη, πρέπει να αντικατασταθεί από τον κατασκευαστή, από τον υπεύθυνο επισκευής ή παρομοίως πιστοποιημένα άτομα για να αποφευχθεί οποιοσδήποτε κίνδυνος.

ΜΗΝ αποθηκεύετε σε αυτή τη συσκευή εκρηκτικές ουσίες, όπως κονσέρβες αεροζόλ, με εύφλεκτο προωθητικό αέριο.

Η συσκευή πρέπει να αποσυνδεθεί μετά τη χρήση και πριν εκτελέσει τη συντήρηση του χρήστη στη συσκευή.

ΠΡΟΕΙΔΟΠΟΙΗΣΗ: Διατηρείτε τα ανοίγματα εξαερισμού, στο περίβλημα της συσκευής ή στην ενσωματωμένη δομή, χωρίς εμπόδια.

ΠΡΟΕΙΔΟΠΟΙΗΣΗ: Μη χρησιμοποιείτε μηχανικές συσκευές ή άλλα μέσα για να επιταχύνετε τη διαδικασία απόψυξης, εκτός από εκείνες που συνιστώνται από τον κατασκευαστή.

ΠΡΟΕΙΔΟΠΟΙΗΣΗ: Μην βλάπτετε το κύκλωμα ψυκτικού μέσου.

ΠΡΟΕΙΔΟΠΟΙΗΣΗ: Μην χρησιμοποιείτε ηλεκτρικές συσκευές μέσα στα διαμερίσματα αποθήκευσης τροφίμων της συσκευής, εκτός αν είναι του τύπου που συνιστά ο κατασκευαστής.

ΠΡΟΕΙΔΟΠΟΙΗΣΗ: Παρακαλείστε να απορρίψετε το ψυγείο σύμφωνα με τους τοπικούς κανόνες γιατί χρησιμοποιούν εύφλεκτα αέρια ψυσίματος και ψυκτικό.

ΠΡΟΕΙΔΟΠΟΙΗΣΗ: Κατά την τοποθέτηση της συσκευής, βεβαιωθείτε ότι το καλώδιο τροφοδοσίας δεν έχει παγιδευτεί ή έχει υποστεί ζημιά.

ΠΡΟΕΙΔΟΠΟΙΗΣΗ: Μην τοποθετείτε πολλές φορητές πρίζες ή φορητές τροφοδοτικές συσκευές στο πίσω μέρος της συσκευής.

ΜΗΝ χρησιμοποιείτε καλώδια επέκτασης ή μη γειωμένους προσαρμογείς (δύο πείρων).

ΚΙΝΔΥΝΟΣ: Κίνδυνος παγίδευσης παιδι. Πριν πετάξετε το παλιό ψυγείο ή τον καταψύκτη:

- Αφαιρέστε τις πόρτες.
- Αφήστε τα ράφια στη θέση τους για να μην μπορούν να παιδιά εύκολα να αναρριχηθούν στο εσωτερικό.

ΤΟ ψυγείο πρέπει να αποσυνδεθεί από την πηγή ηλεκτρικής τροφοδοσίας πριν από την εγκατάσταση του εξαρτήματος.

ΤΟ ψυκτικό και το υλικό αφρισμού του κυκλοπεντανίου που χρησιμοποιείται για τη συσκευή είναι εύφλεκτα. Επομένως, κατά τη διάλυση της συσκευής, θα πρέπει να φυλάσσεται μακριά από οποιαδήποτε πηγή πυρκαγιάς και να ανακτάται από μια ειδική εταιρεία ανάκτησης με αντίστοιχη πιστοποίηση διαφορετική από τη διάθεση με καύση, έτσι ώστε να αποφεύγεται η βλάβη στο περιβάλλον ή οποιαδήποτε άλλη βλάβη.

ΓΙΑ προδιαγραφές στην Ευρώπη: Αυτή η συσκευή μπορεί να χρησιμοποιηθεί από παιδιά ηλικίας 8 ετών και άνω και άτομα με μειωμένες φυσικές, αισθητηριακές ή νοητικές δυνατότητες ή μειωμένη εμπειρία και γνώση αν έχουν εποπτεία ή οδηγίες που αφορούν τη χρήση της συσκευής με τρόπο ασφαλή και κατανοούν τους κινδύνους. Τα παιδιά δεν πρέπει να παίζουν με τη συσκευή. Ο καθαρισμός και η συντήρηση δεν θα πρέπει να γίνεται από παιδιά χωρίς κάποια επίβλεψη. Τα παιδιά ηλικίας από 3 έως 8 ετών επιτρέπεται να φορτώνουν και να εκφορτώνουν ψυκτικές συσκευές.

Αναγκαστικά, για πόρτες ή καπάκια εφοδιασμένα με κλειδαριές και κλειδιά, τα κλειδιά πρέπει να φυλάσσονται μακριά από παιδιά και όχι κοντά στην ψυκτική συσκευή, προκειμένου να αποφευχθεί το κλειδίωμα παιδιών εντός.

ΓΙΑ να αποφύγετε τη μόλυνση των τροφίμων, τηρήστε τις παρακάτω οδηγίες:

- Η ανοιγόμενη πόρτα για μεγάλες περιόδους μπορεί να προκαλέσει σημαντική αύξηση της θερμοκρασίας στα διαμερίσματα της συσκευής.
- Να καθαρίζετε τακτικά επιφάνειες που μπορούν να έρθουν σε επαφή με τρόφιμα και προσβάσιμα συστήματα αποστράγγισης.
- Δεξαμενές καθαρού νερού εάν δεν έχουν χρησιμοποιηθεί για 48 ώρες. Ξεπλύνετε το σύστημα ύδρευσης που είναι συνδεδεμένο με παροχή νερού εάν δεν έχει τραβηχτεί νερό για 5 ημέρες, (σημείωση 1)
- Φυλάξτε το ωμό κρέας και τα ψάρια σε κατάλληλα δοχεία στο ψυγείο, έτσι ώστε να μην έρχονται σε επαφή ή να μην στάζουν σε άλλα τρόφιμα.

- Τα τμήματα δύο αστέρων με κατεψυγμένα τρόφιμα είναι κατάλληλα για αποθήκευση προκατεψυγμένων τροφίμων, αποθήκευση ή κατασκευή παγωτού και παγάκια. (σημείωση 2).
- Τα διαμερίσματα ενός, δύο και τριών αστέρων δεν είναι κατάλληλα για την κατάψυξη φρέσκων τροφίμων, (σημείωση 3).
- Αν η ψυκτική συσκευή παραμείνει άδεια για μεγάλες χρονικές περιόδους, απενεργοποιήστε, ξεπαγώστε, καθαρίστε, στεγνώστε και αφήστε την πόρτα ανοικτή για να αποφύγετε την ανάπτυξη μούχλας μέσα στη συσκευή.
- Για επισκευές χωρίς ένα τμήμα τεσσάρων αστέρων: η παρούσα ψυκτική συσκευή δεν είναι κατάλληλη για την κατάψυξη τροφίμων. (σημείωση 4).

Σημείωση 1, 2, 3, 4: Παρακαλείστε να επιβεβαιώσετε αν ισχύει ανάλογα με το είδος του διαμερισμάτος σας.

ΓΙΑ μια αυτόνομη συσκευή: η παρούσα ψυκτική συσκευή δεν προορίζεται για να χρησιμοποιηθεί ως εντοιχισμένη συσκευή.

ΟΠΟΙΑΔΗΠΟΤΕ αντικατάσταση ή συντήρηση των λαμπτήρων LED πρέπει να γίνεται από τον κατασκευαστή, τον αντιπρόσωπο σέρβις του ή παρόμοιο εξειδικευμένο άτομο.

2. ΕΓΚΑΤΑΣΤΑΣΗ

2.1 Τοποθεσία

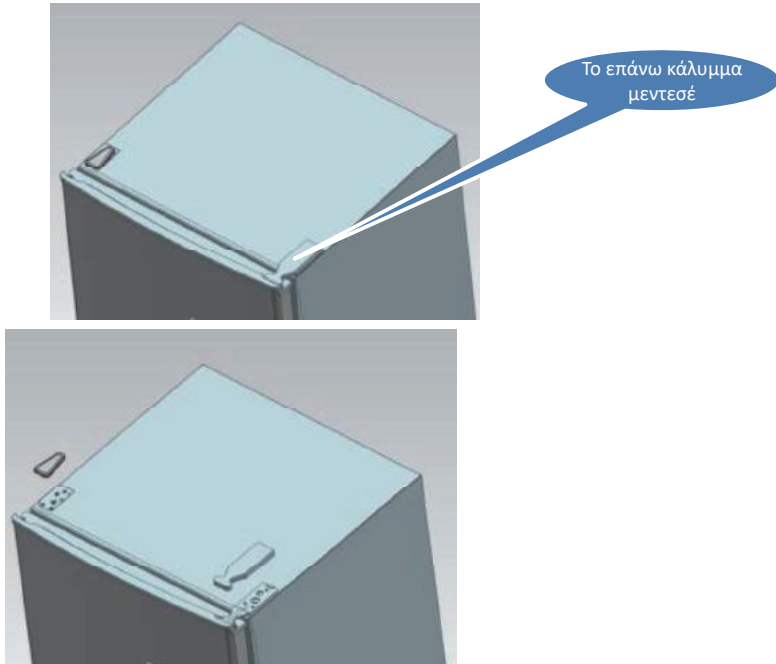
Όταν επιλέγετε μια θέση για τη μονάδα σας, πρέπει να βεβαιωθείτε ότι το δάπεδο είναι επίπεδο και σταθερό και ότι ο χώρος αερίζεται καλά. Αποφύγετε να εντοπίσετε τη μονάδα σας κοντά σε πηγή θερμότητας, π.χ. κουζίνα, λέβητας ή καλοριφέρ. Επίσης, αποφύγετε το άμεσο ηλιακό φως, καθώς μπορεί να αυξήσει την ηλεκτρική κατανάλωση. Οι ακραίες θερμοκρασίες περιβάλλοντος κρύου μπορεί επίσης να προκαλέσουν τη μη σωστή λειτουργία της μονάδας. Αυτή η μονάδα δεν έχει σχεδιαστεί για χρήση σε γκαράζ ή εξωτερική εγκατάσταση. Μην καλύπτετε τη μονάδα με κανένα κάλυμμα.

Κατά την εγκατάσταση της μονάδας, βεβαιωθείτε ότι απομένουν 10 cm ελεύθερου χώρου και στις δύο πλευρές, 10 cm στο πίσω μέρος και 30 cm στο πάνω μέρος της μονάδας. Αυτό θα επιτρέψει στον κρύο αέρα να κυκλοφορήσει γύρω από το ψυγείο κρυσταίου και να βελτιώσει την αποτελεσματικότητα της διαδικασίας ψύξης.

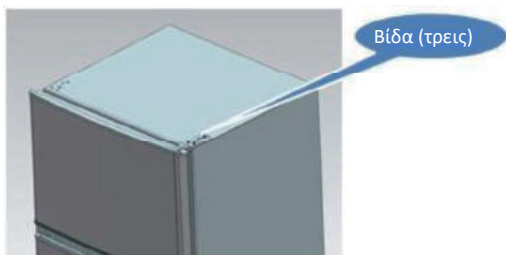
2.2 Αναστροφή της Ταλάντευσης της Πόρτας (προαιρετικός)

Απαιτούμενα Εργαλεία: Κατσαβίδι στυλ Phillips / Επίπεδο κατσαβίδι / Εξαγωνικό κλειδί

- 1) Αφαιρέστε το κάλυμμα του επάνω μεντεσέ.

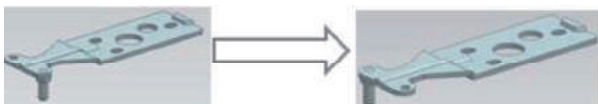


2) Αφαιρέστε τις βίδες που στερεώσατε τον επάνω μεντεσέ με κατσαβίδι με εγκάρσια σχισμή.

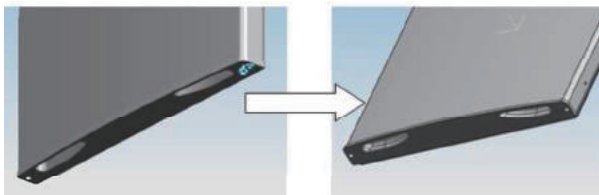


3) Επανατοποθετήστε τον επάνω μεντεσέ και το μπλοκ ορίου της πάνω πόρτας και το δακτύλιο ρουλεμάν της πόρτας από την άλλη πλευρά.

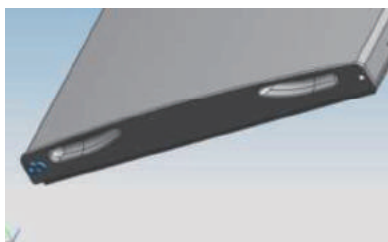
A. Αφαιρέστε το παξιμάδι με το μανίκι. Βγάλτε τη ροδέλα και, στη συνέχεια, αφαιρέστε τους άξονες από την άλλη πλευρά και στερεώστε.



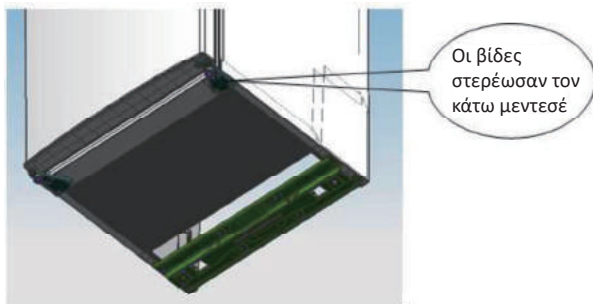
B. Αφαιρέστε το μπλοκ ορίου πόρτας



C. Βγάλτε ένα άλλο μπλοκ ορίου πόρτας, με βιδωτή στερέωση στην πόρτα

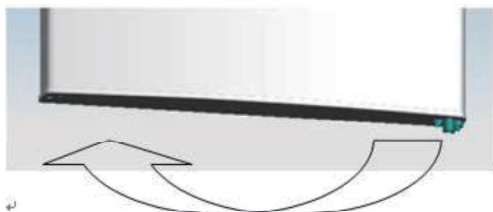


- 4) Αποσυναρμολογήστε τις βίδες που στερεώσατε τον κάτω μεντεσέ με κατσαβίδι με εγκάρσια σχισμή.

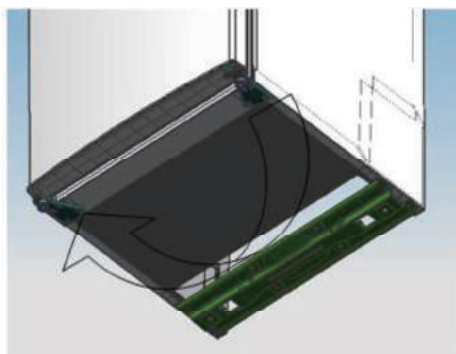


Σημείωση: η γωνία κλίσης του ψυγείου-καταψύκτη είναι μικρότερη κατά 45°.

- 5) Επανατοποθετήστε το ρουλεμάν της κάτω πόρτας και το μπλοκ ορίου.



- 6) Επανατοποθετήστε τον κάτω μεντεσέ στην άλλη πλευρά και στη συνέχεια στερεώστε τον με βίδες.



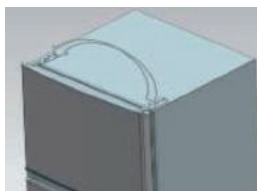
7) Αντικαταστήστε το μεσαίο μεντεσέ.



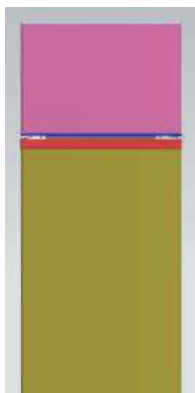
8) Ρυθμίστε τη δεξιά θέση της κάτω πόρτας, στερεώστε τη μεσαία άρθρωση.



9) Αντικαταστήστε τον επάνω μεντεσέ.



10) Ρυθμίστε την επάνω πόρτα στη δεξιά θέση, στερεώστε τον επάνω μεντεσέ και το κάλυμμα.



- 11) Τοποθετήστε τα τέσσερα βιδωτά καπάκια και τις δύο λαβές στην αντίστοιχη θέση.
- Βεβαιωθείτε ότι η συσκευή είναι αποσυνδεδεμένη και άδεια.
 - Ρυθμίστε τα δύο πόδια ισοπέδωσης στην υψηλότερη θέση τους.
 - Σας συνιστούμε να έχετε κάποιον να σας βοηθήσει.
- 12) Αντικαταστήστε τον ισοπεδωτή στην άλλη πλευρά και ρυθμίστε τον για να βεβαιωθείτε ότι το ντουλάπι είναι επίπεδο.



*Η παραπάνω εικόνα είναι μόνο για αναφορά. Η πραγματική διάταξη θα εξαρτηθεί από το φυσικό προϊόν ή τη δήλωση του διανομέα

2.3 Εγκατάσταση Χειρολαβής Πόρτας (προαιρετικός)

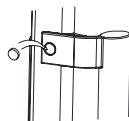
Σημείωση: Τα στοιχεία στο εγχειρίδιο χρήσης είναι μόνο για αναφορά. Το πραγματικό προϊόν μπορεί να διαφέρει ελαφρώς.

Το ψυγείο πρέπει να αποσυνδεθεί από την πηγή ηλεκτρικού ρεύματος πριν επιχειρήσετε την εγκατάσταση των εξαρτημάτων.

Βήμα 1: βγάλτε δύο βύσματα από την πόρτα (Η πλευρά της πόρτας ανοιχτή)



Βήμα 2: Τοποθετήστε τη λαβή της πόρτας στην πόρτα και στερεώστε την με βίδες



Βήμα 3: Καλύψτε τα βιδωτά καπάκια της λαβής σε οπές βιδών

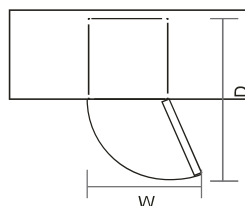


* Η παραπάνω εικόνα είναι μόνο για αναφορά. Η πραγματική διάταξη θα εξαρτηθεί από το φυσικό προϊόν ή τη δήλωση του διανομέα

2.4 Απαιτήσεις Χώρου Πόρτας

Η πόρτα της μονάδας πρέπει να μπορεί να ανοίγει πλήρως όπως φαίνεται.

W x D ≥ 902 x 1052 mm



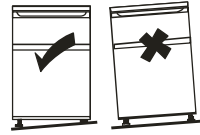
2.5 Ευθυγράμμιση της Μονάδας

Για να το κάνετε αυτό ρυθμίστε τα δύο πόδια ισοπέδωσης στο μπροστινό μέρος της μονάδας.

Εάν η μονάδα δεν είναι επίπεδη, οι ευθυγραμμίσεις της πόρτας και του μαγνητικού στεγανοποιητικού δεν θα καλυφθούν σωστά.

Βεβαιωθείτε ότι το πόδι αγγίζει το έδαφος πριν από τη χρήση.

Κοιτάξτε προς τα κάτω από την κορυφή, χαλαρώνοντας δεξιόστροφα και αριστερόστροφα, σφίγγοντας.



2.6 Καθαρισμός Πριν Από Τη Χρήση

Σκουπίστε το εσωτερικό της μονάδας με ένα αδύναμο διάλυμα διττανθρακικής σόδας. Στη συνέχεια ξεπλύνετε με ζεστό νερό χρησιμοποιώντας σφουγγάρι ή πανί 'που έχει στύψ'.

Πλύνετε τα ράφια και τον κάδο σαλάτας σε ζεστό σαπουνόνερο και στεγνώστε εντελώς πριν την αντικαταστήσετε στη μονάδα. Καθαρίστε το εξωτερικό της μονάδας με ένα υγρό πανί. Εάν χρειάζεστε περισσότερες πληροφορίες, ανατρέξτε στην ενότητα Καθαρισμός.

2.7 Πριν Χρησιμοποιήσετε Τη Μονάδα Σας

Μην καταστρέψετε το καλώδιο τροφοδοσίας υπό οποιοδήποτε συνθήκες, ώστε να διασφαλίζεται η ασφάλεια, μην το χρησιμοποιείτε όταν το καλώδιο τροφοδοσίας έχει υποστεί ζημιά ή έχει φθαρεί.

Μην τοποθετείτε εύφλεκτα, εκρηκτικά, πτητικά και ιδιαίτερα διαβρωτικά αντικείμενα στο ψυγείο για να αποφύγετε ζημιές στο προϊόν ή ατυχήματα κατά της φωτιάς.

Μην τοποθετείτε εύφλεκτα αντικείμενα κοντά στο ψυγείο για να αποφύγετε τις πυρκαγιές.

Αυτό το προϊόν είναι οικιακά ψυγεία και είναι κατάλληλο μόνο για αποθήκευση τροφίμων.

Σύμφωνα με τα εθνικά πρότυπα, τα οικιακά ψυγεία δεν πρέπει να χρησιμοποιούνται για άλλους σκοπούς, όπως αποθήκευση αίματος, φαρμάκων ή βιολογικών προϊόντων.

Μην τοποθετείτε αντικείμενα όπως εμφιαλωμένο ή σφραγισμένο δοχείο υγρού, όπως εμφιαλωμένες μπίρες και ποτά στον καταψύκτη για να αποφύγετε εκρήξεις και άλλες απώλειες.

Πριν τοποθετήσετε οποιοδήποτε φαγητό στη μονάδα σας, ενεργοποιήστε το και περιμένετε 24 ώρες, για να βεβαιωθείτε ότι λειτουργεί σωστά και να αφήσετε χρόνο να πέσει στη σωστή θερμοκρασία. Η μονάδα σας δεν πρέπει να υπερφορτωθεί.



◆ Πριν από την πρίζα

Πρέπει να βεβαιωθείτε ότι έχετε μια πρίζα συμβατή με το βύσμα που παρέχεται με τη μονάδα.

◆ Πριν Ενεργοποιήσετε!

Μην ανάβετε μέχρι δύο ώρες μετά τη μετακίνηση της μονάδας.

2.8 Αξεσουάρ Εσωτερικού Χώρου

Διάφορα ράφια αποθήκευσης από γυαλί ή πλαστικό περιλαμβάνονται στη συσκευή σας - διαφορετικά μοντέλα έχουν διαφορετικούς συνδυασμούς.

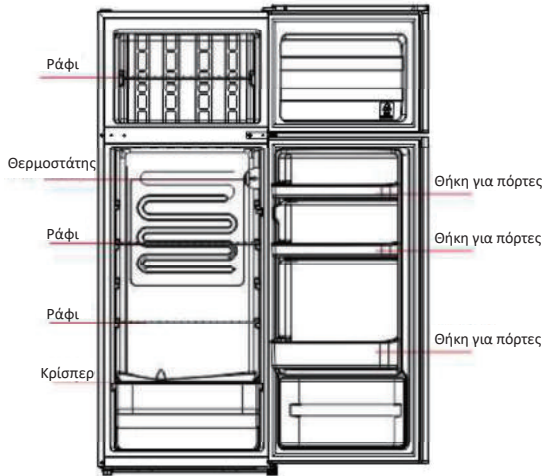
Πρέπει πάντα να σύρετε ένα από τα ράφια αποθήκευσης γυαλιού πλήρους μεγέθους στο χαμηλότερο σετ οδηγών, πάνω από τα δοχεία φρούτων και λαχανικών και να το διατηρείτε σε αυτήν τη θέση. Για να το κάνετε αυτό, τραβήξτε το ράφι αποθήκευσης προς τα εμπρός έως ότου μπορεί να περιστραφεί προς τα πάνω ή προς τα κάτω και να αφαιρεθεί.

Κάντε το ίδιο αντίστροφα για να τοποθετήσετε το ράφι σε διαφορετικό ύψος.



Για να αξιοποιήσετε στο έπακρο τον όγκο του χώρου αποθήκευσης φρέσκων τροφίμων και του χώρου αποθήκευσης κατεψυγμένων τροφίμων, ο χρήστης μπορεί να αφαιρέσει ένα ή περισσότερα ράφια, συρτάρια, έξω από τη συσκευή, ανάλογα με την καθημερινή σας χρήση.

3. ΕΠΙΣΚΟΠΗΣΗ ΠΡΟΪΟΝΤΟΣ



Τα συρτάρια, τα κουτιά τροφίμων, τα ράφια κ.λπ. που τοποθετούνται σύμφωνα με τη θέση στην παραπάνω εικόνα είναι τα πιο ενεργειακά αποδοτικά.

* Η παραπάνω εικόνα είναι μόνο για αναφορά. Η πραγματική διάταξη θα εξαρτηθεί από το φυσικό προϊόν ή τη δήλωση του διανομέα

4. ΛΕΙΤΟΥΡΓΙΑ

4.1 Ενεργοποίηση της Μονάδας Σας

Ρύθμιση «Off (Απενεργοποίηση)»: Μονάδα Απενεργοποιημένη

Ρύθμιση «Min (Ελάχιστο)»: Λιγότερη ψυχρή θερμοκρασία

Ρύθμιση «Med (Μεσαίο)» ή «MID (ΜΕΣΗΣ)»: Κανονική Λειτουργία (επαρκής για τις περισσότερες περιπτώσεις)

Ρύθμιση «Max (Μαξ)»: Η πιο κρύα θερμοκρασία

◆ Σε υψηλές θερμοκρασίες περιβάλλοντος π.χ. Τις ζεστές μέρες του καλοκαιριού. Ενδέχεται να χρειαστεί να ρυθμίσετε τον θερμοστάτη στη ρύθμιση Coolest (θέση «Max (Μαξ)»). Αυτό μπορεί να προκαλέσει τη συνεχή λειτουργία του συμπιεστή προκειμένου να διατηρείται χαμηλή θερμοκρασία στο ερμάριο.

◆ Για την πρώτη φορά που εγκαθιστάτε το ψυγείο σας, ρυθμίστε το κουμπί του θερμοστάτη στο «Med (Μεσαίο)».

Δώστε χρόνο στο ψυγείο σας να κρυώσει εντελώς πριν προσθέσετε φαγητό. Είναι καλύτερο να περιμένετε 24 ώρες πριν προσθέσετε φαγητό. Το κουμπί του θερμοστάτη ελέγχει τη θερμοκρασία. Όταν το κουμπί ελέγχου του θερμοστάτη είναι στη θέση OFF (ΑΠΕΝΕΡΓΟΠΟΙΗΣΗ), το ψυγείο δεν θα λειτουργεί.

4.2 Θόρυβος Μέσα στη Μονάδα!

Μπορεί να παρατηρήσετε ότι η μονάδα σας κάνει κάποιους ασυνήθιστους θορύβους. Τα περισσότερα από αυτά είναι απολύτως φυσιολογικά, αλλά πρέπει να τα γνωρίζετε!

Αυτοί οι θόρυβοι προκαλούνται από την κυκλοφορία του ψυκτικού υγρού στο σύστημα ψύξης. Έχει γίνει πιο έντονο από την εισαγωγή των ελεύθερων αερίων CFC. Αυτό δεν είναι σφάλμα και δεν θα επηρεάσει την απόδοση της μονάδας σας. Αυτός είναι ο κινητήρας του συμπιεστή που λειτουργεί, καθώς αντλεί το ψυκτικό μέσο γύρω από το σύστημα.

4.3 Συμβουλές για τη Διατήρηση της Τροφής στη Μονάδα

- ◆ Τα μαγειρεμένα κρέατα / ψάρια πρέπει πάντα να αποθηκεύονται σε ένα ράφι πάνω από τα ωμά κρέατα / ψάρια για να αποφευχθεί η μεταφορά βακτηριδίων. Φυλάσσετε ωμά κρέατα / ψάρια σε ένα δοχείο που είναι αρκετά μεγάλο ώστε να συλλέγει χυμούς και να το καλύπτει σωστά. Τοποθετήστε το δοχείο στο χαμηλότερο ράφι.
- ◆ Αφήστε χώρο γύρω από το φαγητό σας, για να επιτρέψετε στον αέρα να κυκλοφορεί μέσα στη μονάδα. Βεβαιωθείτε ότι όλα τα μέρη της μονάδας διατηρούνται δροσερά.
- ◆ Για να αποφύγετε τη μεταφορά οσμών και το στέγνωμα, συσκευάστε ή καλύψτε το φαγητό ξεχωριστά. Τα φρούτα και τα λαχανικά δεν χρειάζεται να τυλιγούνται.
- ◆ Αφήστε πάντα το προμαγειρευμένο φαγητό να κρυώσει πριν το βάλετε στη μονάδα. Αυτό θα βοηθήσει στη διατήρηση της εσωτερικής θερμοκρασίας της μονάδας.
- ◆ Για να αποφύγετε τη διαφυγή κρύου αέρα από τη μονάδα, προσπαθήστε να περιορίσετε τον αριθμό των φορών που ανοίγετε την πόρτα. Σας συνιστούμε να ανοίξετε την πόρτα μόνο όταν χρειάζεται να βάλετε φαγητό ή να βγάλετε το φαγητό.

4.4 Αλλάξτε τη Λάμπα Φωτός

Αντικατάσταση λαμπτήρων από επαγγελματίες

5. ΚΑΘΑΡΙΣΜΟΣ

5.1 Απόψυξη

ΣΗΜΕΙΩΣΗ ΑΥΤΗ Η ΜΟΝΑΔΑ ΔΕΝ ΔΙΑΘΕΤΕΙ ΣΥΣΤΗΜΑ ΑΥΤΟΜΑΤΗΣ ΑΠΟΨΥΞΗΣ.

Χρησιμοποιήστε ένα πλαστικό φτυάρι πάγου όταν καθαρίζετε το πάγωμα του εξατμιστή. Μη χρησιμοποιείτε μεταλλικά αιχμηρά αντικείμενα.

5.2 Καθαρισμός Εσωτερικού και Εξωτερικού χώρου της Μονάδας

- ◆ Οι σκόνες πίσω από το ψυγείο και στο έδαφος πρέπει να καθαρίζονται έγκαιρα για να βελτιωθεί το αποτέλεσμα ψύξης και η εξοικονόμηση ενέργειας.
- ◆ Ελέγχετε τακτικά το παρέμβυσμα της πόρτας για να βεβαιωθείτε ότι δεν υπάρχουν υπολείμματα. Καθαρίστε τη φλάντζα της πόρτας με ένα μαλακό πανί, διαβρεγμένο με σαπουνόνερο ή με αρωμαμένο απορρυπαντικό.
- ◆ Το εσωτερικό του ψυγείου θα πρέπει να καθαρίζεται τακτικά για να αποφεύγεται η οσμή.
- ◆ Απενεργοποιήστε την παροχή ρεύματος πριν καθαρίσετε το εσωτερικό, αφαιρέστε όλα τα τρόφιμα, ποτά, ράφια, συρτάρια κλπ.
- ◆ Χρησιμοποιήστε ένα μαλακό πανί ή σφουγγάρι για να καθαρίσετε το εσωτερικό του ψυγείου, με δύο κουταλιές της σούπας ψησίματος και ένα τετράγωνο ζεστό νερό. Κατόπιν ξεπλύνετε με νερό και καθαρίστε. Μετά τον καθαρισμό, ανοίξτε την πόρτα και αφήστε την να στεγνώσει φυσικά πριν ενεργοποιήσετε την τροφοδοσία.
- ◆ Για περιοχές που είναι δύσκολο να καθαριστούν στο ψυγείο (όπως στενά σάντουιτς, κενά ή γωνίες), συνιστάται να τα σκουπίζετε τακτικά με ένα μαλακό πανί, μαλακή βούρτσα κλπ. Και όταν χρειάζεται, σε συνδυασμό με ορισμένα βοηθητικά εργαλεία (όπως λεπτές ραβδώσεις) για να διασφαλιστεί ότι δεν συσσωρεύονται μολυσματικές ή βακτηριακές ουσίες σε αυτές τις περιοχές.
- ◆ Μην χρησιμοποιείτε σαπούνι, απορρυπαντικό, σκόνη καθαρισμού, καθαριστικό ψεκασμού κλπ., καθώς αυτά μπορεί να προκαλέσουν οσμές στο εσωτερικό του ψυγείου ή των μολυσμένων τροφίμων.
- ◆ Καθαρίστε το πλαίσιο της φιάλης, τα ράφια και τα συρτάρια με ένα μαλακό πανί που έχει διαβραχεί με σαπουνόνερο ή αρωμαμένο απορρυπαντικό. Στεγνώστε με ένα μαλακό πανί ή στεγνώστε φυσικά.
- ◆ Σκουπίστε την εξωτερική επιφάνεια του ψυγείου με ένα μαλακό πανί, βρεγμένο με σαπουνόνερο, απορρυπαντικό κ.λπ., και στη συνέχεια σκουπίστε.
- ◆ Μη χρησιμοποιείτε σκληρές βούρτσες, καθαρές χαλύβιδνες μπάλες, συρμάτινες βούρτσες, λειαντικά (όπως οδοντόκρεμες), οργανικούς διαλύτες (όπως αλκοόλ, ακετόνη, λάδι μπανάνας κ.λπ.), βραστό νερό, όξινα ή αλκαλικά αντικείμενα, και το εσωτερικό. Το βραστό νερό και οι οργανικοί διαλύτες όπως το βενζόλιο μπορεί να παραμορφώσουν ή να βλάψουν τα πλαστικά μέρη.
- ◆ Μην ξεπλένετε απευθείας με νερό ή άλλα υγρά κατά τη διάρκεια του καθαρισμού, για να αποφύγετε βραχυκύκλωμα ή να επηρεάσετε την ηλεκτρική μόνωση μετά την βύθιση.

5.3 Συμβουλές Καθαρισμού

Μπορεί να εμφανιστεί συμπύκνωση στο εξωτερικό της μονάδας. Αυτό μπορεί να οφείλεται σε αλλαγή της θερμοκρασίας δωματίου. Σκουπίστε τυχόν υπολείμματα υγρασίας. Εάν το πρόβλημα συνεχιστεί, επικοινωνήστε με έναν εξειδικευμένο τεχνικό για βοήθεια.

6. ΣΥΝΤΗΡΗΣΗ

6.1 Αλλαγή του Εσωτερικού Φωτός

Αντικατάσταση λαμπτήρων από επαγγελματίες.

6.2 Φροντίδα Κατά Το Χειρισμό / Μετακίνηση Της Μονάδας Σας

Κρατήστε τη μονάδα γύρω από τις πλευρές ή τη βάση της κατά τη μετακίνηση. Σε καμία περίπτωση δεν πρέπει να σηκωθεί κρατώντας τα άκρα της άνω επιφάνειας.

6.3 Συντήρηση

Η μονάδα πρέπει να επισκευάζεται από εξουσιοδοτημένο μηχανικό και πρέπει να χρησιμοποιούνται μόνο γνήσια ανταλλακτικά. Σε καμία περίπτωση δεν πρέπει να επιχειρήσετε να επισκευάσετε τη μονάδα μόνοι σας. Επισκευές που πραγματοποιούνται από άπειρα άτομα μπορεί να προκαλέσουν τραυματισμό ή σοβαρή δυσλειτουργία. Επικοινωνήστε με έναν εξειδικευμένο τεχνικό.

6.4 Απενεργοποίηση για Μεγάλα Χρονικά Διαστήματα

Όταν η μονάδα δεν χρησιμοποιείται για μεγάλο χρονικό διάστημα, απουσιάζετε την από την παροχή ρεύματος, αδειάστε όλα τα τρόφιμα και καθαρίστε τη συσκευή, αφήνοντας την πόρτα ανοιχτή για να αποφύγετε δυσάρεστες οσμές.

7. Αντιμετώπιση προβλημάτων

Ο χρήστης μπορεί να χειριστεί τα ακόλουθα απλά Ζητήματα. Παρακαλούμε καλέστε το τμήμα εξυπηρέτησης μετά την πώληση εάν τα προβλήματα δεν επιλυθούν.

Σε λειτουργία	Εάν ο καταψύκτης είναι συνδεδεμένος και συνδεδεμένος στην- τροφοδοσία: Χαμηλή τάση· Σφάλμα τροφοδοσίας ή κύκλωμα διακοπής
Μυρωδιά	Τα μυρωδάτα τρόφιμα πρέπει να τυλιγνται καλά· Αν τα τρόφιμα είναι σάπια· Εάν πρέπει να καθαριστεί το εσωτερικό.
Μακροχρόνια λειτουργία του συμπιεστή	Είναι φυσιολογικό το ψυγείο να λειτουργεί για μεγαλύτερο χρονικό διάστημα το καλοκαίρι όταν η θερμοκρασία περιβάλλοντος είναι υψηλότερη· Μην βάζετε πάρα πολύ φαγητό στον καταψύκτη ταυτόχρονα· Μην βάζετε τρόφιμα μέχρι να ταυτόχρονα· Συχνό άνοιγμα πόρτας ψυγείου.
Το φωτιστικό φως δεν λάμπει	Είτε το ψυγείο είναι συνδεδεμένο στο ρεύμα, είτε το φωτιστικό φως είναι κατεστραμμένο.
Η πόρτα του ψυγείου δεν μπορεί να κλείσει σωστά.	Η πόρτα του καταψύκτη έχει κολλήσει από συσκευασίες τροφίμων· Υπερβολική ποσότητα φαγητού· Κλίση ψυγείου.
Δυνατοί θόρυβοι	Εάν το φαγητό είναι ισορροπημένο, αν το ψυγείο είναι ισορροπημένο· Εάν τα μέρη του ψυγείου είναι σωστά τοποθετημένα.

7.1 Συμβουλές για τη Θερμότητα:

◆ Το περίβλημα του ψυγείου μπορεί να εκπέμπει θερμότητα κατά τη λειτουργία ειδικά το καλοκαίρι, αυτό προκαλείται από την ακτινοβολία του συμπυκνωτή και είναι ένα φυσιολογικό φαινόμενο.

- ◆ Συμπύκνωση: το φαινόμενο συμπύκνωσης θα ανιχνευθεί στην εξωτερική επιφάνεια και τα στεγανοποιητικά πορτών του καταψύκτη όταν η υγρασία περιβάλλοντος είναι μεγάλη, αυτό είναι ένα φυσιολογικό φαινόμενο και η συμπύκνωση μπορεί να εξαφανιστεί με στεγνή πετσέτα.
- ◆ Βόμβος: Η ηχητική σήμανση θα δημιουργηθεί με τη λειτουργία του συμπιεστή ειδικά κατά την εκκίνηση ή το κλείσιμο.

8. ΓΙΑ ΕΞΟΙΚΟΝΟΜΗΣΗ ΕΝΕΡΓΕΙΑΣ


Προειδοποίηση για ενέργεια

- 1) Οι συσκευές ψύξης ενδέχεται να μην λειτουργούν με συνέπεια (πιθανότητα απόψυξης του περιεχομένου ή υπερβολική ζέστη θερμοκρασίας στο χώρο κατεψυγμένου φαγητού) όταν τοποθετούνται για παρατεταμένο χρονικό διάστημα κάτω από το ψυχρό άκρο της κλίμακας θερμοκρασιών για τις οποίες έχει σχεδιαστεί η ψυκτική συσκευή.
- 2) Το γεγονός ότι τα αναβράζοντα ποτά δεν πρέπει να αποθηκεύονται σε καταψύκτες τροφίμων ή σε ερμάρια ή σε διαμερίσματα ή ερμάρια χαμηλής θερμοκρασίας και ότι ορισμένα προϊόντα, όπως τα παγωτά, δεν πρέπει να καταναλώνονται πολύ κρύα.
- 3) Την ανάγκη να μην υπερβεί ο ή οι χρόνοι αποθήκευσης που συνιστώνται από τους παρασκευαστές τροφίμων για οποιοδήποτε είδος τροφίμου και ιδιαίτερα για εμπορικά καταψυγμένα τρόφιμα σε χώρους ή καταψύκτες τροφίμων και καταψύκτες τροφίμων.
- 4) Τις προφυλάξεις που είναι απαραίτητες για να αποφευχθεί η αδικαιολόγητη αύξηση της θερμοκρασίας των κατεψυγμένων τροφίμων κατά την απόψυξη της συσκευής ψύξης, όπως η περιτύλιξη του κατεψυγμένου φαγητού σε διάφορα στρώματα της εφημερίδας.
- 5) Το γεγονός ότι η αύξηση της θερμοκρασίας των κατεψυγμένων τροφίμων κατά τη διάρκεια της χειροκίνητης απόψυξης, συντήρησης ή καθαρισμού θα μπορούσε να συντομεύσει τη διάρκεια αποθήκευσης.

9. ΔΙΑΘΕΣΗ

Οι παλιές μονάδες έχουν ακόμα κάποια υπολειμματική αξία. Μια φιλική προς το περιβάλλον μέθοδος απόρριψης θα διασφαλίσει ότι οι πολύτιμες πρώτες ύλες μπορούν να ανακτηθούν και να χρησιμοποιηθούν ξανά. Το ψυκτικό που χρησιμοποιείται στη μονάδα σας και τα μονωτικά υλικά απαιτούν ειδικές διαδικασίες απόρριψης. Βεβαιωθείτε ότι κανένας από τους σωλήνες στο πίσω μέρος της μονάδας δεν έχει υποστεί ζημιά πριν από την απόρριψη. Ενημερωμένες πληροφορίες σχετικά με τις επιλογές απόρριψης της παλιάς μονάδας και συσκευασίας από τη νέα μπορείτε να λάβετε από το τοπικό σας συμβούλιο.

Κατά την απόρριψη μιας παλιάς θραύσης μονάδας οποιωνδήποτε παλαιών κλειδαριών ή μανδάλων και αφαιρείτε την πόρτα ως προστατευτικό.

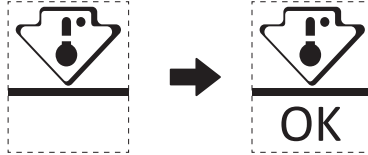
Σωστή απόρριψη αυτού του προϊόντος	
	<p>Σωστή απόρριψη αυτού του προϊόντος</p> <p>Αυτή η σήμανση υποδεικνύει ότι το προϊόν αυτό δεν πρέπει να διατεθεί μαζί με άλλα οικιακά απορρίμματα σε όλη την ΕΥ. Προκειμένου να αποφευχθεί τυχόν βλάβη στο περιβάλλον ή στην ανθρώπινη υγεία από την ανεξέλεγκτη διάθεση των αποβλήτων, ανακυκλώστε με υπευθυνότητα για την προώθηση της βιώσιμης επαναχρησιμοποίησης των υλικών πόρων. Για να επιστρέψετε τη χρησιμοποιημένη συσκευή σας, χρησιμοποιήστε τα συστήματα επιστροφής και συλλογής ή επικοινωνήστε με τον αντιπρόσωπο όπου αγοράστηκε το προϊόν. Μπορούν να πάρουν αυτό το προϊόν για περιβαλλοντική ασφαλή ανακύκλωση.</p>

Για περισσότερες πληροφορίες, επικοινωνήστε με την τοπική αρχή ή τον πωλητή όπου αγοράσατε το προϊόν.

Η πιο κρύα ζώνη στο ψυγείο

ΠΡΟΑΙΡΕΤΙΚΟΣ: Ένδειξη θερμοκρασίας OK

- Η ένδειξη θερμοκρασίας OK μπορεί να χρησιμοποιηθεί για τον προσδιορισμό θερμοκρασιών κάτω από +4°C. Μειώστε σταδιακά τη θερμοκρασία, εάν η ένδειξη δεν δείχνει «OK».



- Για να διασφαλίσετε τη θερμοκρασία σε αυτή την περιοχή, μην αλλάζετε την τοποθέτηση του ραφιδιού. Στα ψυγεία με εξαναγκασμένο αέρα (εξοπλισμένα με ανεμιστήρα ή μοντέλα Δεν υπάρχει παγετός), το σύμβολο της ψυχρότερης ζώνης δεν απεικονίζεται, επειδή η θερμοκρασία στο εσωτερικό είναι ομοιογενής.

Ρύθμιση ένδειξης θερμοκρασίας

- Για να σας βοηθήσει να ρυθμίσετε σωστά το ψυγείο σας, είναι εξοπλισμένο με μια ένδειξη θερμοκρασίας που θα παρακολουθεί τη μέση θερμοκρασία στη ψυχρότερη ζώνη.
- ΠΡΟΕΙΔΟΠΟΙΗΣΗ: Αυτή η ένδειξη προορίζεται να λειτουργήσει μόνο με το ψυγείο σας, μην τη χρησιμοποιήσετε σε άλλο ψυγείο (στην πραγματικότητα, η ψυχρότερη ζώνη δεν είναι η ίδια) ή για οποιαδήποτε άλλη χρήση.

Έλεγχος της θερμοκρασίας στην ψυχρότερη ζώνη

- Με την ένδειξη θερμοκρασίας, μπορείτε να ελέγχετε τακτικά αν η θερμοκρασία της ψυχρότερης ζώνης είναι σωστή. Πράγματι, η εσωτερική θερμοκρασία του ψυγείου εξαρτάται από διάφορους παράγοντες, όπως η θερμοκρασία περιβάλλοντος του χώρου, η ποσότητα των αποθηκευμένων τροφίμων και η συχνότητα ανοίγματος της πόρτας. Λάβετε υπόψη αυτούς τους παράγοντες κατά τη ρύθμιση της συσκευής.
- Όταν η ένδειξη δείχνει «OK», αυτό σημαίνει ότι ο θερμοστάτης σας είναι καλά ρυθμισμένος και η εσωτερική θερμοκρασία σωστή.
- Εάν η ένδειξη της θερμοκρασίας γίνει ΛΕΥΚΗ, αυτό σημαίνει ότι η θερμοκρασία είναι πολύ υψηλή- σε αυτή την περίπτωση, αυξήστε τη ρύθμιση ελέγχου της θερμοκρασίας του ψυγείου και περιμένετε 12 ώρες πριν πραγματοποιήσετε νέο οπτικό έλεγχο της ένδειξης. Όταν έχουν εισαχθεί φρέσκα τρόφιμα ή η πόρτα έχει παραμείνει ανοιχτή, είναι πιθανό η ένδειξη θερμοκρασίας να γίνει ΛΕΥΚΗ μετά από λίγο.

Πίνακας 1 Κλιματική κλάση

Τάξη	Σύμβολο	Εύρος θερμοκρασίας περιβάλλοντος °C
Εκτεταμένο εύκρατο	SN	+10 μέχρι +32
Εγκρατής	N	+16 μέχρι +32
Μισοτροπικός	ST	+16 μέχρι +38
Τροπικός	T	+16 μέχρι +43

Εκτεταμένη εύκρατη: 'η συγκεκριμένη συσκευή ψύξης προορίζεται να χρησιμοποιείται σε θερμοκρασίες περιβάλλοντος μεγέθους από 10 °C έως 32 °C'.

εγκρατής: 'η συγκεκριμένη συσκευή ψύξης προορίζεται να χρησιμοποιείται σε θερμοκρασίες περιβάλλοντος μεγέθους από 16 °C έως 32 °C'.

Μισοτροπικός: 'η συγκεκριμένη συσκευή ψύξης προορίζεται να χρησιμοποιείται σε θερμοκρασίες περιβάλλοντος μεγέθους από 16 °C έως 38 °C'.

Τροπικός: 'η συγκεκριμένη συσκευή ψύξης προορίζεται να χρησιμοποιείται σε θερμοκρασίες περιβάλλοντος μεγέθους από 16 °C έως 43 °C'.

Τα εικονιζόμενα ανταλλακτικά στον παρακάτω πίνακα μπορούν να αποκτηθούν από το κανάλι:

Παραγγελθέν Μέρος	Παρέχεται από	Ελάχιστος Χρόνος Που απαιτείται για Την Προμήθεια
Θερμοστάτες	Επαγγελματικό προσωπικό συντήρησης	Τουλάχιστον 7 έτη αφού το τελευταίο μοντέλο προβλήθηκε στην αγορά
αισθητήρες θερμοκρασίας	Επαγγελματικό προσωπικό συντήρησης	Τουλάχιστον 7 έτη αφού το τελευταίο μοντέλο προβλήθηκε στην αγορά
πλακέτες τυπωμένων κυκλωμάτων	Επαγγελματικό προσωπικό συντήρησης	Τουλάχιστον 7 έτη αφού το τελευταίο μοντέλο προβλήθηκε στην αγορά
πηγές φωτός	Επαγγελματικό προσωπικό συντήρησης	Τουλάχιστον 7 έτη αφού το τελευταίο μοντέλο προβλήθηκε στην αγορά
χειρολαβές πόρτας	Επαγγελματίες ή επισκευαστές και τελικοί χρήστες	Τουλάχιστον 7 έτη αφού το τελευταίο μοντέλο προβλήθηκε στην αγορά
μεντεσέδες πόρτας	Επαγγελματίες ή επισκευαστές και τελικοί χρήστες	Τουλάχιστον 7 έτη αφού το τελευταίο μοντέλο προβλήθηκε στην αγορά
δίσκοι	Επαγγελματίες ή επισκευαστές και τελικοί χρήστες	Τουλάχιστον 7 έτη αφού το τελευταίο μοντέλο προβλήθηκε στην αγορά
καλάθια	Επαγγελματίες ή επισκευαστές και τελικοί χρήστες	Τουλάχιστον 7 έτη αφού το τελευταίο μοντέλο προβλήθηκε στην αγορά
περιβλήματα πόρτας	Επαγγελματίες ή επισκευαστές και τελικοί χρήστες	Τουλάχιστον 10 έτη αφού το τελευταίο μοντέλο προβλήθηκε στην αγορά

Αγαπητέ καταναλωτή

1. Εάν επιθυμείτε να επιστρέψετε ή να αντικαταστήσετε το προϊόν, επικοινωνήστε με το κατάστημα από όπου το αγοράσατε.

(Θυμηθείτε να φέρετε μαζί σας την απόδειξη πληρωμής)

2. Εάν το προϊόν σας χαλάσει και πρέπει να επισκευαστεί, επικοινωνήστε με τον πάροχο υπηρεσιών μετά την πώληση.

Obsah

1. BEZPEČNOSTNÍ UPOZORNĚNÍ.....	CZ-1
2. INSTALACE.....	CZ-4
2.1 Umístění.....	CZ-4
2.2 Otočení otáčení dveří (volitelné)	CZ-4
2.3 Instalace osvětlení kliky dveří (volitelné)	CZ-9
2.4 Požadavky na prostor dveří.....	CZ-9
2.5 Vyrovnání jednotky.....	CZ-10
2.6 Čištění před použitím.....	CZ-10
2.7 Před použitím jednotky	CZ-10
2.8 Příslušenství interiéru	CZ-11
3. PŘEHLED PRODUKTU	CZ-11
4. OPERACE.....	CZ-12
4.1 Zapnutí jednotky.....	CZ-12
4.2 Hluk uvnitř jednotky!.....	CZ-12
4.3 Tipy pro uchovávání potravin v jednotce	CZ-12
4.4 Výměna žárovky.....	CZ-12
5. ČIŠTĚNÍ	CZ-13
5.1 Odmrazování.....	CZ-13
5.2 Čištění interiéru a exteriéru jednotky.....	CZ-13
5.3 Tipy pro čištění.....	CZ-13
6. ÚDRŽBA	CZ-14
6.1 Změna vnitřního osvětlení.....	CZ-14
6.2 Péče při manipulaci / přemisťování vaší jednotky	CZ-14
6.3 Servis	CZ-14
6.4 Vypínání na dlouhou dobu.....	CZ-14
7. Řešení problémů.....	CZ-14
7.1 Teplé tipy:	CZ-14
8. PRO ÚSPORU ENERGIE.....	CZ-15
9. LIKVIDACE	CZ-15

1. BEZPEČNOSTNÍ UPOZORNĚNÍ



Varování: nebezpečí požáru / hořlavých materiálů

TENTO spotřebič je určen k použití v domácnosti a podobných aplikacích, jako jsou kuchyňky pro zaměstnance v obchodech, kancelářích a jiných pracovních prostředích; farmářské domy a klienty v hotelech, motelech a jiných prostředích rezidenčního typu; prostředí typu nocleh se snídaní; catering a podobné nemaloobchodní aplikace.

TENTO spotřebič není určen pro použití osobami (včetně dětí) se sníženými fyzickými, smyslovými nebo duševními schopnostmi nebo nedostatečnými zkušenostmi a znalostmi, pokud na ně nedohlíží osoba odpovědná za jejich bezpečnost nebo jim nebyla poskytnuta instrukce ohledně používání spotřebiče.)

Děti by měly být pod dohledem, aby bylo zajištěno, že si se zařízením nebudou hrát.

POKUD je napájecí kabel poškozen, musí být vyměněn výrobcem, jeho servisním zástupcem nebo podobně kvalifikovanou osobou, aby se předešlo nebezpečí.

NESKLADUJTE v tomto spotřebiči výbušné látky, jako jsou aerosolové plechovky s hořlavou hnací látkou.

SPOTŘEBIČ musí být po použití a před prováděním uživatelské údržby spotřebiče odpojen ze zásuvky.

VAROVÁNÍ: Udržujte větrací otvory ve skříni spotřebiče nebo ve vestavěné konstrukci bez překážek.

VAROVÁNÍ: Nepoužívejte jiná mechanická zařízení nebo jiné prostředky k urychlení procesu odmrazování než ty, které doporučuje výrobce.

VAROVÁNÍ: Nepoškozujte chladicí okruh.

VAROVÁNÍ: V prostoru pro skladování potravin nepoužívejte elektrické spotřebiče, pokud nejsou typu doporučeného výrobcem.

VAROVÁNÍ: Chladničku opusťte v souladu s místními předpisy, protože používá hořlavý dmychací plyn a chladivo.

VAROVÁNÍ: Při umístování spotřebiče dbejte na to, aby přívodní kabel nebyl zachycen nebo poškozen.

VAROVÁNÍ: V zadní části spotřebiče neumísťujte více přenosných zásuvek nebo přenosných zdrojů napájení.

NEPOUŽÍVEJTE prodlužovací kabely nebo neuzemněné (dvoukolíkové) adaptéry.

NEBEZPEČÍ: Než vyhodíte starou chladničku nebo mrazničku, hrozí nebezpečí uvíznutí dítěte:

- Sundejte dveře.
- Nechte police na místě, aby děti nemohly snadno vlézt dovnitř.

PŘED instalací příslušenství musí být chladnička odpojena od zdroje elektrického napájení.

CHLADIVO a cyklopentanový pěnový materiál použitý ve spotřebiči jsou hořlavé. Proto musí být spotřebič při vyřazování uchováván mimo dosah zdrojů ohně a musí být odevzdán k využití speciální sběrnou firmou s odpovídající kvalifikací, aby nedošlo k poškození životního prostředí nebo jinému poškození.

PRO EN normu: Spotřebič mohou používat děti od 8 let a osoby se sníženými fyzickými, smyslovými nebo mentálními schopnostmi, nebo osoby s nedostatečnými zkušenostmi a znalostmi, pokud mají nad sebou dozor nebo pokud byly proškoleny ohledně bezpečného používání spotřebiče a chápou možná rizika. Děti si se zařízením nesmí hrát. Čištění a údržbu nesmí děti provádět bez dozoru. Děti ve věku od 3 do 8 let mohou nakládat a vykládat chladicí zařízení.

NUTNOST, aby u dveří nebo vík vybavených zámky a klíči byly klíče uloženy mimo dosah dětí a ne v blízkosti chladničky, aby se zabránilo zamknutí dětí uvnitř.

Aby nedošlo ke kontaminaci potravin, dodržujte následující pokyny:

- Dlouhodobé otevírání dveří může způsobit výrazné zvýšení teploty v oddílech spotřebiče.
- Pravidelně čistěte povrchy, které mohou přijít do styku s potravinami, a přístupné odtokové systémy.
- Vyčistěte nádrže na vodu, pokud nebyly používány po dobu 48 hodin; propláchněte vodovodní systém připojený k přívodu vody, pokud nebyla voda odebírána po dobu 5 dnů, (poznámka 1)
- Surové maso a ryby skladujte v chladničce ve vhodných nádobách tak, aby se nedostaly do kontaktu s jinými potravinami nebo na ně nekapaly.
- Dvuhvězdičkové přihrádky na mražené potraviny jsou vhodné pro skladování předem zmražených potravin, skladování nebo výrobu zmrzliny a výrobu kostek ledu. (poznámka 2)
- Jedno, dvou a tříhvězdičkové oddíly nejsou vhodné pro zmrazování čerstvých potravin (poznámka 3).

- Pokud je chladicí spotřebič ponechán delší dobu prázdný, vypněte jej, odmrazte, vyčistěte, vysušte a nechte dvířka otevřená, abyste zabránili vzniku plísní uvnitř spotřebiče.

- U spotřebičů bez 4hvězdičkové příhrádky: tento chladicí spotřebič není vhodný pro zmrazování potravin. (poznámka 4)

Poznámka 1,2,3,4: Ověřte si, zda je použitelná podle typu oddělení vašeho výrobku.

PRO volně stojící spotřebič: tato chladnička není určena k použití jako vestavný spotřebič.

JAKOUKOLIV výměnu nebo údržbu LED žárovek má provádět servisní zástupce výrobce nebo podobně kvalifikovaná osoba.

2. INSTALACE

2.1 Umístění

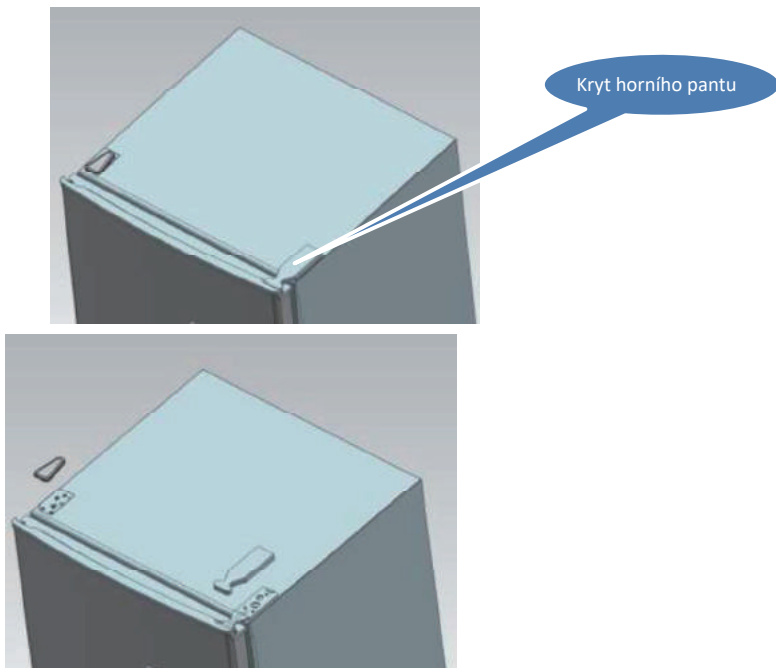
Při výběru místa pro vaši jednotku byste se měli ujistit, že podlaha je rovná a pevná a místnost je dobře větraná. Neumisťujte jednotku blízko zdroje tepla, např. sporáku, kotle nebo radiátoru. Vyhněte se také přímému slunečnímu záření, protože může zvýšit spotřebu elektrické energie. Extrémně nízké okolní teploty mohou také způsobit, že jednotka nebude fungovat správně. Tato jednotka není určena pro použití v garáži nebo venkovní instalaci. Nezakrývejte jednotku žádným krytem.

Při instalaci jednotky zajistěte, aby na obou stranách zůstalo 10 cm volného prostoru, 10 cm vzadu a 30 cm v horní části jednotky. To umožní cirkulaci studeného vzduchu kolem vinotéky a zlepší účinnost chladicího procesu.

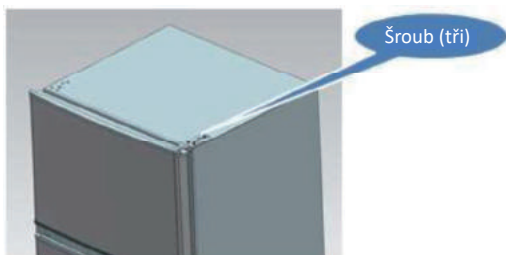
2.2 Otočení otáčení dveří (volitelné)

Požadované nástroje: Šroubovák Phillips / Plochý šroubovák / Šestihranný klíč

- 1) Odstraňte kryt horního závěsu.

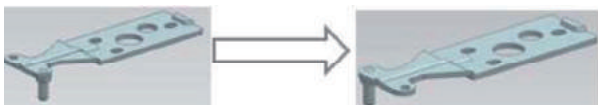


- 2) Odstraňte šrouby připevněné k hornímu závěsu pomocí křížového šroubováku.

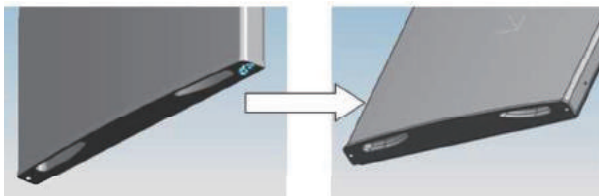


- 3) Vyměňte horní závěs a koncový blok horních dveří a pouzdro ložiska dveří na druhou stranu.

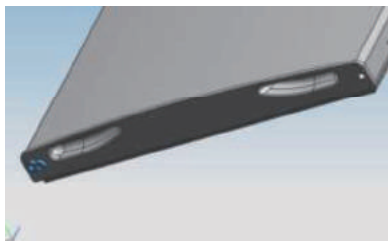
- A. Odstraňte matici s objímkou. Sundejte podložku, vyjměte osy na druhou stranu a upevněte.



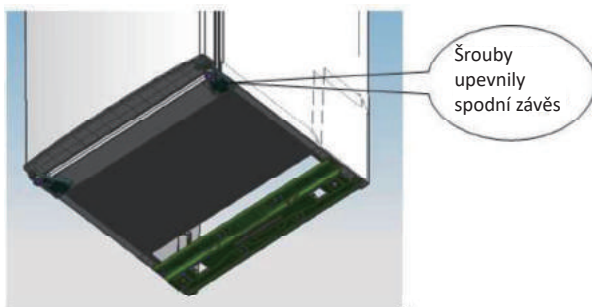
- B. Odstraňte blokování dveří



- C. Vyměňte prosím další blok dveří se šroubovým upevněním na dveře

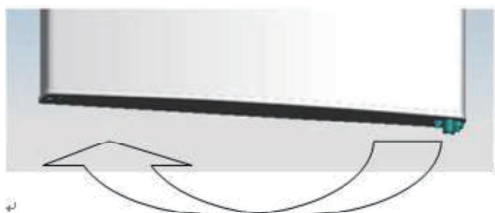


- 4) Demontujte šrouby připevněné ke spodnímu závěsu křížovým šroubovákem.

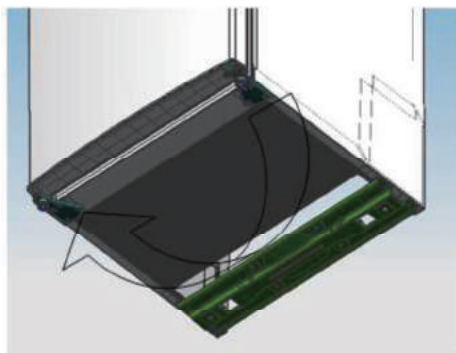


Poznámka: úhel sklonu chladničky s mrazničkou je menší než 45°.

- 5) Vyměňte spodní pouzdro ložiska dveří a koncový blok.



- 6) Nasadíte spodní závěs na druhou stranu a upevníte jej šrouby.



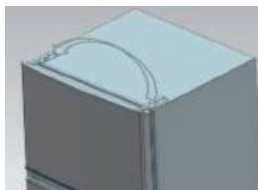
7) Vyměňte střední závěs.



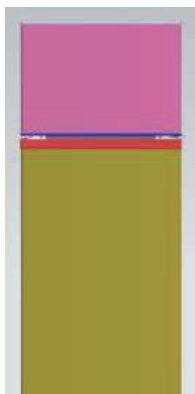
8) Nastavte spodní dvířka do pravé polohy, upevněte střední závěs.



9) Vyměňte horní závěs.



10) Nastavte pravou polohu horních dveří, upevněte horní závěs a kryt.



- 11) Nainstalujte čtyři šroubové uzávěry a dvě západky do odpovídající polohy.
 - Ujistěte se, že je spotřebič odpojený a prázdný.
 - Nastavte dvě vyrovnávací nožky do nejvyšší polohy.
 - Doporučujeme, abyste měli někoho, kdo vám pomůže.
- 12) vraťte zarovnávač na druhou stranu a upravte jej tak, aby byla skříň vodorovná.



* Obrázek výše je pouze orientační. Skutečná konfigurace bude záviset na fyzickém produktu nebo prohlášení distributora

2.3 Instalace osvětlení kliky dveří (volitelné)

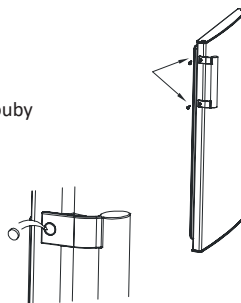
Poznámka: Obrázky v uživatelské příručce jsou pouze orientační. Skutečný produkt se může mírně lišit.

Před instalací příslušenství musí být chladnička odpojena od zdroje elektrického napájení.

Krok 1: vyjměte dva kolíky zástrčky ze dveří (otevřená strana dveří)



Krok 2: Namontujte kliku dveří na dveře a upevněte ji šrouby



Krok 3: Zakryjte šroubovací uzávěry rukojeti do otvorů pro šrouby

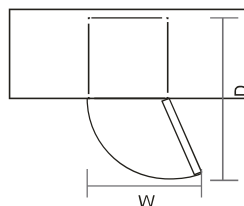


* Obrázek výše je pouze orientační. Skutečná konfigurace bude záviset na fyzickém produktu nebo prohlášení distributora

2.4 Požadavky na prostor dveří

Dveře jednotky se musí dát úplně otevřít, jak je znázorněno.

$W \times D \geq 902 \times 1052$ mm



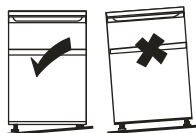
2.5 Vyrovnání jednotky

Chcete-li to provést, upravte dvě vyrovnávací nožičky na přední straně jednotky.

Pokud jednotka není ve vodorovné poloze, dvířka a magnetické těsnění nebudou správně zakryty.

Před použitím se ujistěte, že se chodidlo dotýká země.

Podívejte se shora dolů, ve směru a proti směru hodinových ručiček uvolněte, utáhněte.



2.6 Čištění před použitím

Otřete vnitřek jednotky slabým roztokem sody bikarbóny. Poté opláchněte teplou vodou pomocí „vyždímané“ houby nebo hadříku. Před vložením do jednotky umyjte police a zásobník na salát v teplé mýdlové vodě a zcela osušte. Očistěte vnější část jednotky vlhkým hadříkem. Pokud potřebujete další informace, podívejte se do části Čištění.

2.7 Před použitím jednotky

Napájecí kabel v žádném případě nepoškozujte, aby byla zajištěna bezpečnost používání, nepoužívejte, pokud je napájecí kabel poškozený nebo zástrčka opotřebená.

Do chladničky nevkládejte hořlavé, výbušné, těkavé a vysoce korozivní předměty, aby nedošlo k poškození výrobku nebo k požáru.

Aby nedošlo k požáru, neumísťujte do blízkosti chladničky hořlavé předměty.

Tento výrobek je domácí chladnička a měla by být vhodná pouze pro skladování potravin.

Podle národních norem se chladničky pro domácnost nesmějí používat k jiným účelům, jako je skladování krve, léků nebo biologických produktů.

Neumisťujte do mrazničky předměty, jako jsou lahvové nebo uzavřené nádoby s tekutinami, jako jsou lahvové piva a nápoje, abyste předešli roztržení a jiným ztrátám.

Než do jednotky vložíte jakékoli potraviny, zapněte ji a počkejte 24 hodin, abyste se ujistili, že funguje správně, a aby mohla klesnout na správnou teplotu. Vaše jednotka by neměla být přeplněná.



◆ Před zapojením

Musíte zkontrolovat, zda máte zásuvku, která je kompatibilní se zástrčkou dodanou s jednotkou.

◆ Před zapnutím!

Jednotku nezapínajte dříve než dvě hodiny po přemístění.

2.8 Příslušenství interiéru

Součástí vašeho spotřebiče jsou různé skleněné nebo plastové odkládací police – různé modely mají různé kombinace.

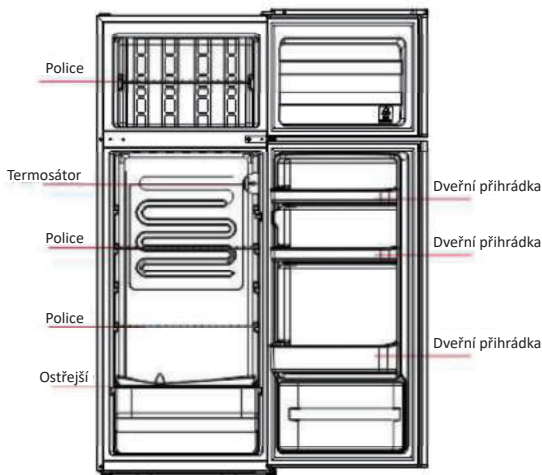
Jednu ze skleněných polic plné velikosti byste měli vždy zasunout do nejnižší sady vodiček nad nádobu na ovoce a zeleninu a ponechat ji v této poloze. K tomu táhněte odkládací polici dopředu, dokud ji nelze otočit nahoru nebo dolů a vyjmout.

Pro vložení police v jiné výšce udělejte totéž obráceně.



Aby bylo možné co nejlépe využít objem přihrádky na čerstvé potraviny a přihrádky na mražené potraviny, může uživatel ze spotřebiče vyjmout jednu nebo více polic, zásuvek, podle vašeho každodenního používání.

3. PŘEHLED PRODUKTU



Zásuvky, boxy na potraviny, police atd. umístěné podle polohy na obrázku výše jsou energeticky neúčinnější.

* Obrázek výše je pouze orientační. Skutečná konfigurace bude záviset na fyzickém produktu nebo prohlášení distributora

4. OPERACE

4.1 Zapnutí jednotky

Nastavení „Off(Vypnuto)“: UnitOff (Jednotka vypnuta)

Nastavení „Min (Nejméně)“: Méně chladná teplota

Nastavení „Med (Medicína)“ nebo „MID (Střední)“: Normální provoz (adekvátní pro většinu situací)

Nastavení „Max (Maximální)“: Nejchladnější teplota

◆ Při vysokých okolních teplotách, např. v horkých letních dnech. Může být nutné nastavit termostat na nastavení Nejchladnější (poloha „Max (Maximální)“). To může způsobit nepřetržitý chod kompresoru, aby se ve skříni udržela nízká teplota.

◆ Při první instalaci chladničky nastavte knoflík termostatu na "Med (Medicína)".

Před přidáním jídla dejte své chladniče čas na úplné vychladnutí. Před přidáním jídla je nejlepší počkat 24 hodin. Knoflík termostatu ovládá teplotu. Když je ovládací knoflík termostatu nastaven do polohy OFF, chladnička nebude v provozu.

4.2 Hluk uvnitř jednotky!

Můžete si všimnout, že vaše jednotka vydává neobvyklé zvuky. Většina z nich je naprosto normální, ale měli byste si je dávat pozor!

Tyto zvuky jsou způsobeny cirkulací chladicí kapaliny v chladicím systému. Od zavedení plynů bez freonů se to stalo výraznějším. Nejedná se o závadu a nebude to mít vliv na výkon vaší jednotky. Takto funguje motor kompresoru, který pumpuje chladivo do systému.

4.3 Tipy pro uchovávání potravin v jednotce

◆ Vařené maso/ryby by měly být vždy skladovány na polici nad syrovým masem/rybami, aby se zabránilo přenosu bakterií. Surové maso/ryby skladujte v nádobě, která je dostatečně velká na zachycení šťávy a řádně ji zakryje. Umístěte nádobu na nejnižší polici.

◆ Kolem jídla ponechte prostor, aby uvnitř jednotky mohl cirkulovat vzduch. Zajistěte, aby všechny části jednotky zůstaly chladné.

◆ Abyste předešli přenosu laskomin a vysychání, zabalte nebo zakryjte potraviny odděleně. Ovoce a zeleninu není nutné balit.

◆ Před vložením do jednotky nechte předvařené jídlo vždy vychladnout. To pomůže udržet vnitřní teplotu jednotky.

◆ Abyste zabránili úniku studeného vzduchu z jednotky, zkuste omezit počet otevírání dveří. Doporučujeme otevírat dvířka pouze tehdy, když potřebujete jídlo vložit nebo vyjmout.

4.4 Výměna žárovky

Výměna lampy profesionály

5. ČIŠTĚNÍ

5.1 Odmrazování

POZNÁMKA TATO JEDNOTKA NEMÁ SYSTÉM AUTOMATICKÉHO ODMRAZOVÁNÍ.

Při odstraňování námrazy z výparníku použijte plastovou lopatu na led. Nepoužívejte ostré kovové předměty.

5.2 Čištění interiéru a exteriéru jednotky

- ◆ Prach za chladničkou a na zemi musí být včasně čištěn, aby se zlepšil chladicí účinek a úspora energie.
- ◆ Pravidelně kontrolujte těsnění dvířek, abyste se ujistili, že v něm nejsou žádné nečistoty. Těsnění dveří čistěte měkkým hadříkem navlhčeným mýdlovou vodou nebo zředěným čisticím prostředkem.
- ◆ Vnitřek chladničky by se měl pravidelně čistit, aby se zabránilo zápachu.
- ◆ Před čištěním interiéru vypněte napájení, vyjměte všechny potraviny, nápoje, police, zásuvky atd.
- ◆ Vnitřek chladničky vyčistěte měkkým hadříkem nebo houbou se dvěma lžicemi jedlé sody a čtvrt litrem teplé vody. Poté jej opláchněte vodou a otřete. Po vyčištění otevřete dvířka a nechte je přirozeně vyschnout, než zapnete napájení.
- ◆ Oblasti, které se v chladničce obtížně čistí (jako jsou úzké sendviče, mezery nebo rohy), se doporučuje pravidelně je otřít měkkým hadříkem, měkkým kartáčem atd. a v případě potřeby v kombinaci s některými pomocnými nástroji (např. tenké tyčinky), aby se v těchto oblastech nehnadily žádné nečistoty nebo bakterie.
- ◆ Nepoužívejte mýdlo, čisticí prostředky, prášek na drhnutí, čisticí prostředky ve spreji apod., protože mohou způsobit zápach uvnitř chladničky nebo kontaminaci potravin.
- ◆ Rám na láhve, police a zásuvky čistěte měkkým hadříkem navlhčeným mýdlovou vodou nebo zředěným čisticím prostředkem. Osušte je měkkým hadříkem nebo je vysušte přirozeně.
- ◆ Vnější povrch chladničky otřete měkkým hadříkem navlhčeným mýdlovou vodou, saponátem apod. a poté otřete do sucha.
- ◆ Nepoužívejte tvrdé kartáče, čisté ocelové kuličky, drátěné kartáče, abraziva (jako jsou zubní pasty), organická rozpouštědla (jako je alkohol, aceton, banánový olej atd.), vařící vodu, kyselé nebo alkalické předměty, které mohou poškodit povrch chladničky a interiéru. Vroucí voda a organická rozpouštědla, jako je benzen, mohou deformovat nebo poškodit plastové díly.
- ◆ Při čištění neoplachujte přímo vodou nebo jinými kapalinami, aby nedošlo ke zkratu nebo ovlivnění elektrické izolace po ponoření.

5.3 Tipy pro čištění

Na vnější straně jednotky se může objevit kondenzace. Může to být způsobeno změnou pokojové teploty. Otřete veškeré zbytky vlhkosti. Pokud problém přetrvává, požádejte o pomoc kvalifikovaného technika.

6. ÚDRŽBA

6.1 Změna vnitřního osvětlení

Výměna lampy profesionály.

6.2 Péče při manipulaci / přemísťování vaší jednotky

Při přemísťování držte jednotku kolem jejích stran nebo základny. Za žádných okolností jej nezvedejte držením za okraje horní plochy.

6.3 Servis

Servis jednotky by měl provádět autorizovaný technik a měly by být používány pouze originální náhradní díly. Za žádných okolností se nepokoušejte opravit jednotku sami. Opravy prováděné nezkušenými osobami mohou způsobit zranění nebo vážnou poruchu. Kontaktujte kvalitativního technika.

6.4 Vypínání na dlouhou dobu

Pokud přístroj delší dobu nepoužíváte, odpojte jej od elektrické sítě, vyprázdněte všechny potraviny a vyčistěte spotřebič, ponechte dvířka pootevřená, abyste zabránili vzniku nepříjemného zápachu.

7. Řešení problémů

Uživatel může vyřešit následující jednoduché problémy. Pokud se problémy nevyřeší, zavolejte prosím na oddělení poprodežního servisu.

Nefunkčnost	Zda je mraznička zapojena a připojena k napájení; Nízké napětí; Selhání napájení nebo vypínací obvod
Zápach	Páchnoucí potraviny by měly být důkladně zabaleny; Zda jsou potraviny zkažené; Zda má být interiér vyčištěn.
Dlouhodobý provoz kompresoru	Je normální, že v létě, kdy je okolní teplota vyšší, je chladnička v provozu delší dobu; Nevkládejte do mrazničky příliš mnoho potravin najednou; Potraviny vkládejte až po vychladnutí; Časté otevírání dveří chladničky.
Osvětlovací světlo nesvítí	Zda je chladnička připojena k napájení, zda není poškozeno osvětlení.
Dveře chladničky nelze správně zavřít.	Dveře mrazničky jsou zaseknuté o balíčky potravin; Příliš mnoho potravin; Výklopná lednice.
Hlasité zvuky	Zda je jídlo vyrovnané, zda je chladnička vyvážená; Zda jsou části chladničky správně umístěny.

7.1 Teplé tipy:

- ◆ Kryt chladničky může během provozu, zejména v létě, vyzařovat teplo, což je způsobeno vyzařováním kondenzátoru a je to normální jev.
- ◆ Kondenzace: jev kondenzace bude detekován na vnějším povrchu a těsnění dveří mrazničky, když je okolní vlhkost vysoká, jedná se o normální jev a kondenzaci lze setřít suchým ručníkem.

- ◆ Buzz: Běžící kompresor vydává zvuky zejména při spouštění nebo vypínání.

8. PRO ÚSPORU ENERGIE


Upozornění pro energii

- 1) Chladicí spotřebiče nemusí fungovat konzistentně (možnost rozmrazení obsahu nebo příliš vysoké teploty v oddílu pro mražené potraviny), pokud jsou umístěny po delší dobu pod nízkým koncem teplotního rozsahu, pro který je chladicí spotřebič navržen.
- 2) Skutečnost, že šumivé nápoje by neměly být skladovány v mrazicích boxech nebo skříních na potraviny nebo v nízkoteplotních oddílech nebo skříních a že některé produkty, jako jsou ovocné zmrzliny, by neměly být konzumovány příliš studené;
- 3) Potřeba nepřekračovat dobu (doby) skladování doporučenou výrobcem potravin pro jakýkoli druh potravin a zejména pro komerčně hluboce zmrazené potraviny v mrazničkách a přihrádkách nebo skříních pro skladování zmrazených potravin;
- 4) Opatření nezbytná k zabránění nepatřičnému zvýšení teploty zmrazených potravin při odmrazování chladicího zařízení, jako je zabalení zmrazených potravin do několika vrstev novin.
- 5) Je prokázáno, že zvýšení teploty zmrazených potravin při ručním rozmrazování, údržbě nebo čištění by mohlo zkrátit dobu skladování.

9. LIKVIDACE

Staré jednotky mají ještě nějakou zůstatkovou hodnotu. Ekologický způsob likvidace zajistí, že cenné suroviny bude možné znovu získat a znovu použít. Chladivo používané ve vaší jednotce a izolační materiály vyžadují speciální postupy likvidace. Před likvidací se ujistěte, že žádná z trubek na zadní straně jednotky není poškozena. Aktuální informace o možnostech likvidace vaší staré jednotky a obalů z nové jednotky získáte na místním úřadě.

Při likvidaci staré jednotky rozbijte všechny staré zámky nebo západky a odstraňte dveře jako ochranu.

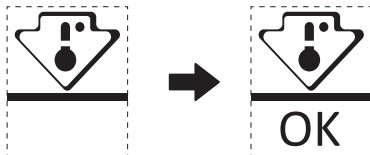
Správná likvidace tohoto produktu	
	<p>Správná likvidace tohoto produktu</p> <p>Toto označení znamená, že tento výrobek by neměl být likvidován společně s ostatními odpady z domácností v celé EU. Abyste předešli možnému poškození životního prostředí nebo lidského zdraví v důsledku nekontrolované likvidace odpadu, recyklujte jej zodpovědně a podpořte tak udržitelné opětovné využívání materiálových zdrojů. Chcete-li vrátit použité zařízení, použijte systém pro vrácení a vyzvednutí nebo se obraťte na prodejce, u kterého byl výrobek zakoupen. Mohou tento výrobek odvézt k ekologické recyklaci.</p>

Další informace vám poskytne místní úřad nebo prodejce, u kterého jste produkt zakoupili.

Nejchladnější zóna v chladničce

VOLITELNĚ: Indikátor teploty OK

- Indikátor teploty OK lze použít k určení teplot pod +4°C. Postupně snižujte teplotu, pokud značka neindikuje „OK“.



- Abyste zajistili teplotu v této oblasti, neměňte umístění police. Chladničky s nuceným oběhem vzduchu (vybavené ventilátorem nebo modely No Frost), symbol nejchladnější zóny není znázorněn, protože teplota uvnitř je homogenní.

Nastavení indikátoru teploty

- Aby vám pomohla dobře nastavit vaši chladničku, je vybavena indikátorem teploty, který bude sledovat průměrnou teplotu v nejchladnější zóně.
- VAROVÁNÍ:** Tento indikátor je určen pouze pro vaši ledničku, nepoužívejte jej v jiné chladničce (ve skutečnosti nejchladnější zóna není stejná) ani k žádnému jinému použití.

Kontrola teploty v nejchladnější zóně

- Pomocí indikátoru teploty můžete pravidelně kontrolovat, zda je teplota v nejchladnější zóně správná. Vnitřní teplota chladničky totiž závisí na několika faktorech, jako je okolní teplota v místnosti, množství uložených potravin a četnost otevírání dveří. Tyto faktory berzte v úvahu při nastavování zařízení.
- Když indikátor ukazuje « OK », znamená to, že váš termostat je dobře nastaven a vnitřní teplota je správná.
- Pokud se indikátor teploty změní na BÍLÝ, znamená to, že teplota je příliš vysoká; v takovém případě zvýšte nastavení ovládání teploty chladničky a počkejte 12 hodin, než provedete novou vizuální kontrolu indikátoru. Po vložení čerstvých potravin nebo při ponechání otevřených dvířek se může stát, že se ukazatel teploty po chvíli změní na BÍLÝ.

Tabulka 1 Klimatické třídy

Třída	Symbol	Rozsah okolní teploty °C
Rozšířený mírný pás	SN	+10 až +32
Mírný pás	N	+16 až +32
Subtropický	ST	+16 až +38
Tropické	T	+16 až +43

Rozšířený mírný pás: „tento chladicí přístroj je určen k použití při teplotách okolí od 10 °C do 32 °C“;

mírný: „tento chladicí přístroj je určen k použití při teplotách okolí od 16 °C do 32 °C“;

Subtropický: „tento chladicí přístroj je určen k použití při teplotách okolí od 16 °C do 38 °C“;

Tropické: „tento chladicí přístroj je určen k použití při teplotách okolí od 16 °C do 43 °C“;

Objednané díly v následující tabulce lze získat z kanálu:

Objednaný díl	Poskytuje	Minimální doba potřebná k poskytnutí
termostaty	Profesionální pracovníci údržby	Nejméně 7 let po uvedení posledního modelu na trh
teplotní čidla	Profesionální pracovníci údržby	Nejméně 7 let po uvedení posledního modelu na trh
desky s plošnými spoji	Profesionální pracovníci údržby	Nejméně 7 let po uvedení posledního modelu na trh
zdroje světla	Profesionální pracovníci údržby	Nejméně 7 let po uvedení posledního modelu na trh
kliky dveří	Profesionální opraváři a koneční uživatelé	Nejméně 7 let po uvedení posledního modelu na trh
závěsy dveří	Profesionální opraváři a koneční uživatelé	Nejméně 7 let po uvedení posledního modelu na trh
zásobníky	Profesionální opraváři a koneční uživatelé	Nejméně 7 let po uvedení posledního modelu na trh
koše	Profesionální opraváři a koneční uživatelé	Nejméně 7 let po uvedení posledního modelu na trh
těsnění dveří	Profesionální opraváři a koneční uživatelé	Nejméně 10 let po uvedení posledního modelu na trh

Vážený zákazníku

1. Pokud chcete výrobek vrátit nebo vyměnit, obraťte se na obchod, kde jste jej zakoupili.
(Nezapomeňte s sebou vzít fakturu za nákup)
2. Pokud se váš výrobek porouchá a je třeba jej opravit, obraťte se na poskytovatele poprodejněho servisu.

Obsah

1. BEZPEČNOSTNÉ POKYNY	SK-1
2. INŠTALÁCIA	SK-4
2.1 Umiestnenie	SK-4
2.2 Obrátenie smeru otvárania dverí (voliteľné)	SK-4
2.3 Inštalácia osvetlenia na rukoväti dverí (voliteľné)	SK-9
2.4 Priestorové požiadavky dverí	SK-9
2.5 Vyrovnanie jednotky	SK-10
2.6 Čistenie pred použitím	SK-10
2.7 Pred použitím jednotky	SK-10
2.8 Vnútorne príslušenstvo	SK-11
3. PREHĽAD VÝROBKU	SK-11
4. PREVÁDZKA	SK-12
4.1 Zapnutie vášho zariadenia	SK-12
4.2 Hluk vo vnútri jednotky	SK-12
4.3 Tipy na uchovávanie jedla v jednotke	SK-12
4.4 Výmena žiarovky	SK-12
5. ČISTENIE	SK-13
5.1 Odmrazovanie	SK-13
5.2 Čistenie vnútorného a vonkajšieho povrchu jednotky	SK-13
5.3 Rady na čistenie	SK-13
6. ÚDRŽBA	SK-14
6.1 Výmena žiarovky vnútorného osvetlenia	SK-14
6.2 Starostlivosť pri manipulácii / presune jednotky	SK-14
6.3 Servis	SK-14
6.4 Vypnutie na dlhú dobu	SK-14
7. Riešenie problémov	SK-14
7.1 Tipy:	SK-14
8. NA ÚSPORU ENERGIE	SK-15
9. LIKVIDÁCIA	SK-15

1. BEZPEČNOSTNÉ POKYNY



Varovanie: riziko požiaru/horľavé materiály

TENTO spotrebič je určený na použitie v domácnostiach a podobných aplikáciách, ako sú kuchynské priestory pre zamestnancov v obchodoch, kancelárie a iné pracovné prostredia, farmárske domy a klienti v hoteloch, moteloch a iných prostrediach obytného typu, prostredie typu nocľah s raňajkami, stravovanie a podobné neobchodné aplikácie.

TENTO spotrebič nie je určený na používanie osobami (vrátane detí) s zníženými fyzickými, zmyslovými alebo duševnými schopnosťami, či nedostatkom skúseností a znalostí, pokiaľ nie sú pod dozorom alebo nie sú poučení o používaní spotrebiča osobou zodpovednou za ich bezpečnosť.)

Deti by mali byť vždy pod dohľadom, aby sa zabezpečilo, že sa nebudú so spotrebičom hrať.

AK je napájací kábel poškodený, musí byť nahradený výrobcom, alebo jeho servisným technikom, alebo podobne kvalifikovanou osobou, aby sa predišlo možnému nebezpečenstvu.

DO spotrebiča nekladajte horľavé, výbušné, prchavé a vysoko korozívne predmety, ako sú aerosólové plechovky.

PO použití a pred vykonaním údržby musí byť spotrebič odpojený od elektrickej siete.

VAROVANIE: Udržujte vetracie otvory v kryte spotrebiča alebo vo vstavanej konštrukcii bez prekážok.

VAROVANIE: Na urýchlenie procesu odmrázovania sa nesmú používať iné mechanické zariadenia alebo iné prostriedky s výnimkou tých, ktoré sú odporúčané výrobcom.

VAROVANIE: Nepoškodzujte chladiaci okruh spotrebiča

VAROVANIE: V priestore na uchovávanie potravín nepoužívajte elektrické spotrebiče, ak sa nejedná o typy odporúčané výrobcom.

VAROVANIE: Chladničku likvidujte v súlade s miestnymi predpismi, pretože používa horľavý hnací plyn a chladivo.

VAROVANIE: Pri umiestňovaní spotrebiča dbajte na to, aby nedošlo k zachyteniu alebo poškodeniu napájacieho kábla.

VAROVANIE: Neumiestňujte do zadnej časti spotrebiča viacnásobné prenosné elektrické zásuvky ani prenosné zdroje napájania.

NEPOUŽÍVAJTE predlžovacie káble ani neuzemnené adaptére (s dvoma kolímkami).

NEBEZPEČENSTVO: Riziko uväznenia detí v spotrebiči. Skôr ako vyhodíte starú chladničku alebo mrazničku:

- Demontujte dvere.
- Ponechajte police na mieste, aby do vnútra nemohli vliezť deti.

SKÔR ako začnete inštalovať príslušenstvo, je nutné chladničku najskôr odpojiť od zdroja napájania.

CHLADIVO a penivý materiál cyklopentán použité v chladničke sú horľavé látky. Pri likvidácii chladničky je preto treba chladničku udržiavať mimo zdrojov ohňa a recyklovať špecializovanou spoločnosťou, ktorá má zodpovedajúcu kvalifikáciu; nesmie prebiehať likvidácia spaľovaním, aby nedošlo k poškodeniu životného prostredia alebo k iným škodám.

PRE štandard EN: Tento prístroj môže byť použitý deťmi vo veku od 8 rokov, staršími osobami, a osobami so zníženými fyzickými, zmyslovými, alebo duševnými schopnosťami, alebo bez potrebných skúseností a znalostí, pokiaľ im je poskytnutý dohľad alebo inštrukcie týkajúce sa použitia spotrebiča bezpečným spôsobom a rozumejú nebezpečenstvo použitia. Deti sa so zariadením nesmú hrať. Čistenie a bežnú údržbu nesmú robiť deti bez dozoru. Deti vo veku od 3 do 8 rokov môžu do chladiacich spotrebičov vkladať predmety a vyberať ich z nich.

Nutné je, aby v prípade dverí alebo vekov vybavených zámkami a kľúčmi boli kľúče uchovávané mimo dosahu detí a nie v blízkosti chladiaceho zariadenia, aby sa zabránilo uzamknutiu detí vo vnútri.

ABY ste sa vyhli kontaminácii jedla, riadte sa nasledovnými pokynmi:

- Otváranie dvierok na dlhý čas môže spôsobiť výrazné zvýšenie teploty v priestoroch spotrebiča.
- Pravidelne čistite povrchy, ktoré môžu prísť do kontaktu s potravinami, a prístupné systémy na odtok vody.
- Vyčistite nádrže na vodu, ak ste ich po 48 hodín nepoužili, prepláchnite vodný systém pripojený k zdroju vody, ak ste vodu nečerpali minimálne 5 dní, (poznámka 1)
- Surové mäso a ryby v chladničke skladujte vo vhodných nádobách, aby neprišli do kontaktu s ostatnými potravinami alebo aby na ne nekvapkali.
- Dvojhviezdičkové priestory na mrazené potraviny sú vhodné na skladovanie predmrazených potravín, skladovanie alebo výrobu zmrzliny a výrobu ľadových kociek. (Poznámka 2)
- Jednohviezdičkové-, dvojhviezdičkové- a trojhviezdičkové- priestory nie sú vhodné na zmrazovanie čerstvých potravín, (poznámka 3).

- Ak budete chladiaci spotrebič ponechávať dlhší čas prázdny, vypnite ho, odmrázte, vyčistite, vysušte a ponechajte otvorené dvierka, aby v spotrebiči nemohli rásť plesne.

- Pre spotrebiče bez štvorhviezdičkového priestoru: tento chladiaci spotrebič nie je vhodný na mrazenie potravín. (poznámka 4)

Poznámka 1,2,3,4: Potvrďte, či je to vhodné podľa typu priestoru na výrobok.

PRE samostatne stojaci spotrebič: tento chladiaci spotrebič nie je určený na použitie ako zabudovaný spotrebič.

AKÚKOĽVEK výmenu alebo údržbu LED svetla musí vykonať výrobca, jeho servisný zástupca alebo podobná kvalifikovaná osoba.

2. INŠTALÁCIA

2.1 Umiestnenie

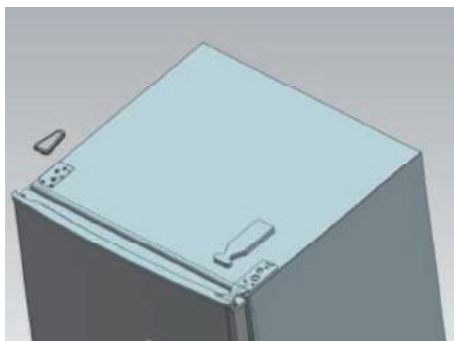
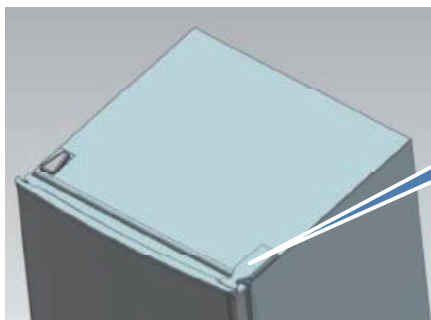
Pri výbere pozície pre jednotku by ste sa mali uistiť, že je podlaha rovná a pevná a miestnosť je dobre vetraná. Vyhnite sa umiestneniu jednotky v blízkosti zdroja tepla, napríklad sporáka, kotla alebo radiátora. Vyhnite sa aj priamemu slnečnému žiareniu, pretože by mohlo zvýšiť spotrebu elektrickej energie. Aj extrémne nízke teploty v okolí môžu spôsobiť, že jednotka nebude fungovať správne. Táto jednotka nie je navrhnutá na použitie v garážach alebo vonkajších objektoch. Nezakrývajte jednotku žiadnym krytom.

Pri inštalácii jednotky zaistíte, aby na oboch stranách zostalo 10 cm voľného miesta, 10 cm vzadu a 30 cm v hornej časti jednotky. To umožní cirkuláciu studeného vzduchu okolo chladiča a zlepší účinnosť procesu chladenia.

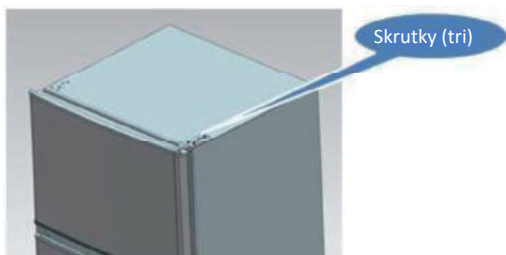
2.2 Obrátenie smeru otvárania dverí (voliteľné)

Požadované nástroje: Krížový skrutkovač / Plochý skrutkovač / Šesťhranný kľúč

- 1) Odstráňte kryt horného závesu.



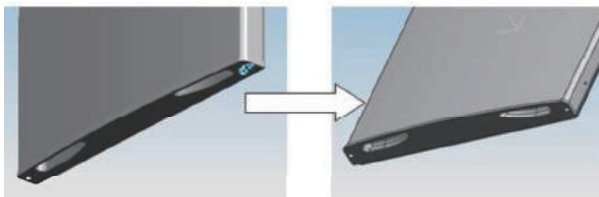
- 2) Pomocou skrutkovača s križovou drážkou odskrutkujte skrutky, ktoré držia horný záves.



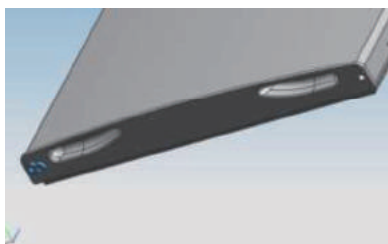
- 3) Presuňte horný záves, hornej dverový obmedzovací blok a ložiskovú vložku dverí na opačnú stranu.
- A. Odstráňte maticu s manžetou. Odstráňte podložku, potom odstráňte osi na opačnú stranu a upevnite.



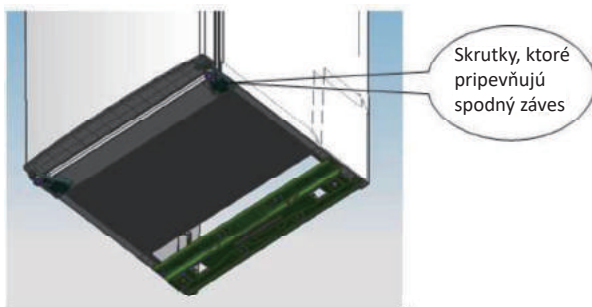
- B. Odoberte obmedzovací blok dverí.



- C. Vyberte ďalší obmedzovací blok a pomocou skrutkovej spojky ho pripevnite k dverám.

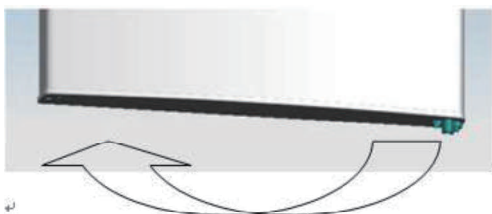


- 4) Pomocou skrutkovača s krížovou drážkou rozoberte skrutky, ktoré držia spodný záves.

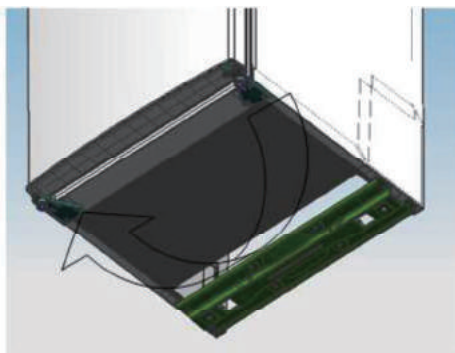


Poznámka: Sklon chladničky s mrazničkou nesmie presiahnuť 45°.

- 5) Presuňte spodnú ložiskovú vložku dverí a obmedzovací blok.



- 6) Presuňte spodný záves na opačnú stranu a následne ho pripevnite skrutkami.



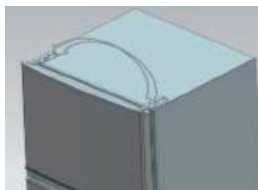
7) Presuňte stredný záves.



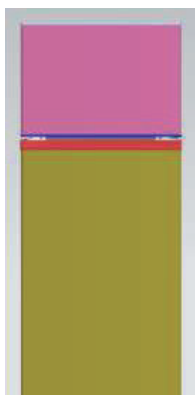
8) Nastavte správnu polohu spodnej časti dverí a pripevnite stredný záves.



9) Presuňte horný záves.



10) Nastavte správnu polohu hornej časti dverí a pripevnite horný záves a kryt.



- 11) Inštalujte štyri krytky skrutiek a dve západky na príslušnú pozíciu.
- Uistite sa, že spotrebič je odpojený od elektrickej siete a prázdny.
 - Nastavte dve vyrovnávacie nožičky na ich najvyššiu polohu.
 - Odporúčame, aby vám niekto pomohol.
- 12) Presuňte vyrovnávaciu nožičku na opačnú stranu a nastavte ju tak, aby ste zabezpečili vyrovnanosť tela chladničky.



* Vyššie uvedený obrázok je len orientačný. Skutočná konfigurácia bude závisieť od fyzického produktu alebo vyjadrenia distribútora.)

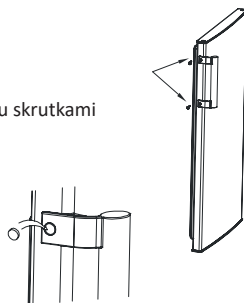
2.3 Inštalácia osvetlenia na rukoväti dverí (voliteľné)

Poznámka: Obrázky v používateľskej príručke sú len orientačné. Skutočný produkt sa môže líšiť. Skôr ako začnete inštalovať príslušenstvo, je nutné chladničku najskôr odpojiť od zdroja napájania.

Krok 1: Vytiahnite dve zásuvkové kolíky z dverí (Strana dverí, ktorá sa otvára)



Krok 2: Nainštalujte rukoväť dverí na dvere a pripevnite ju skrutkami



Krok 3: Zakryte skrutkové krytky rukoväte do skrutkových otvorov

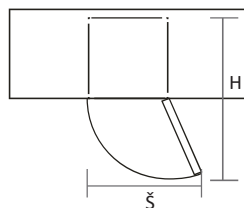


* Vyššie uvedený obrázok je len orientačný. Skutočná konfigurácia bude závisieť od fyzického produktu alebo vyjadrenia distribútora.)

2.4 Priestorové požiadavky dverí

Dvere jednotky musí byť možné úplne otvoriť podľa zobrazenia.

Š x H ≥ 902×1052mm



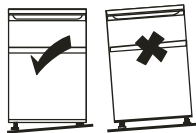
2.5 Vyrovnanie jednotky

Za týmto účelom nastavte dve vyrovnávacie nožičky v prednej časti jednotky

Ak nie je jednotka vo vodorovnej polohe, nebudú zarovnané dvere a magnetického tesnenia poriadne zakryté.

Pred použitím skontrolujte, či sa nožička dotýka podlahy.

Pozrite sa zhora, v smere hodinových ručičiek sa uvoľňuje, proti smeru hodinových ručičiek sa priťahuje.



2.6 Čistenie pred použitím

Vnútrajšok jednotky očistite slabým roztokom hydrogenuhličitanu sodného. Potom umyte teplou vodou pomocou vyžmýkanej špongie alebo handry. Pred opätovným vložením do jednotky umyte police a priehradku

na šalát v teplej mydlovej vode a úplne ich vysušte. Vonkajšiu časť jednotky očistite navlhčenou handričkou. Ak potrebujete viac informácií, prečítajte si ich v časti Čistenie.

2.7 Pred použitím jednotky

Za žiadnych okolností nepoškodujte napájací kábel, aby ste zaistili bezpečné používanie, nepoužívajte ho, ak je napájací kábel poškodený alebo je opotrebovaná jeho zástrčka.

Do chladničky nekladajte horľavé, výbušné, prchavé a vysoko korozívne predmety, aby ste predišli poškodeniu produktu alebo vzniku požiaru.

Neumiestňujte horľavé predmety v blízkosti chladničky, aby nedošlo k vzniku požiaru.

Týmto výrobkom je domáca chladnička a je vhodný len na uskladnenie potravín. Podľa vnútroštátnych noriem sa domáce chladničky nesmú používať na iné účely, ako napríklad na uchovávanie krvi, drog alebo biologických výrobkov.

Do mrazničky nekladajte také predmety ako sú fľaše alebo utesnené nádoby s tekutinami, napríklad fľašované pívá a nápoje, aby nedošlo k ich roztrhnutiu a iným škodám.

Skôr, než do tejto jednotky vložíte akékoľvek jedlo, zapnite ju na 24 hodín a počkajte, aby ste sa uistili, že funguje správne a mala dostatok času klesnúť na správnu teplotu. Vaša jednotka by nemala byť preplnená.



◆ Pred pripojením

Musíte skontrolovať, či máte zásuvku kompatibilnú so zástrčkou dodávanou s jednotkou.

◆ Pred zapnutím!

Jednotku nezapínajte do dvoch hodín po premiestnení.

2.8 Vnútorné príslušenstvo

Súčasťou vášho spotrebiča sú rôzne sklenené alebo plastové úložné police – rôzne modely disponujú rôznymi kombináciami.

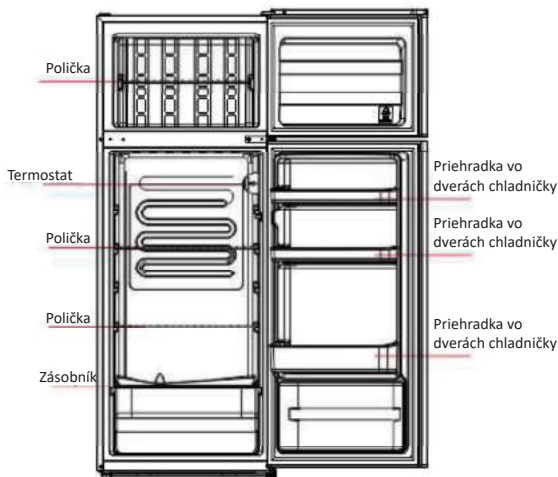
Vždy by ste mali nasunúť jednu sklenenú policu v plnej veľkosti do najnižších vodidiel nad nádobu na zeleninu a ovocie a ponechať ju v tejto polohe. Urobíte to potiahnutím skladovacej police dopredu, pokiaľ ju nie je možné natočiť nahor alebo nadol, a odobrať ju.

Rovnakým postupom v opačnom poradí policu vložíte do inej výšky.



V záujme čo najlepšieho využitia priehradky na čerstvé potraviny a priehradky na mrazené potraviny môže používateľ odobrať jednu alebo viacero políc, košov zo zariadenia podľa jeho každodenných potrieb.

3. PREHĽAD VÝROBKU



Energeticky najefektívnejšie sú zásuvky, boxy na potraviny, police atď., umiestnené podľa polohy na obrázku vyššie.

* Vyššie uvedený obrázok je len orientačný. Skutočná konfigurácia bude závisieť od fyzického produktu alebo vyjadrenia distribútora.)

4. PREVÁDZKA

4.1 Zapnutie vášho zariadenia

Nastavenie: "Off" („Vypnuté“): Jednotka je vypnutá

Nastavenie „Min“: Teplota menej chladu

Nastavenie „Med“ („Stred“) alebo „MID“ („STRED“): Normálna prevádzka (postačujúca pre väčšinu situácií)

Nastavenie „Max“: Najnižšia teplota

◆ Počas vysokých okolitých teplôt, napríklad počas horúcich letných dní. Môže byť nutné termostat nastaviť na najnižšie nastavenie (pozícia „Max“). To môže spôsobiť neustále behanie kompresora, aby udržal nízku teplotu v chladničke.

◆ Pri prvej inštalácii chladničky nastavte gombík termostatu na "Med" („Stred“).

Pred pridaním potravín dajte chladničke čas na úplné vychladnutie. Najlepšie je počkať 24 hodín pred pridaním potravín. Nastavením gombíka termostatu sa ovláda teplota. Keď je gombík termostatu nastavený na OFF (Vypnuté), chladnička nebude pracovať.

4.2 Hluk vo vnútri jednotky

Môžete si všimnúť, že vaša jednotka vydáva nezvyčajné zvuky. Väčšina z nich je absolútne normálna, ale mali by ste ich vnímať!

Tieto zvuky sú spôsobené cirkuláciou chladiacej kvapaliny v chladiacom systéme. Od zavedenia plynov neobsahujúcich CFC sa stal zvuk výraznejším. Nejde o závalu a neovplyvní to výkon vašej jednotky. Ide o motor kompresora, ktorý čerpá chladivo okolo systému.

4.3 Tipy na uchovávanie jedla v jednotke

◆ Varené mäso/ryby by mali byť skladované vždy na polici nad surovým mäsom/rybami, aby nedošlo k prenosu baktérií. Surové mäso/ryby uchovávajte v nádobe, ktorá je dostatočne veľká, aby zachytila štavu a dôkladne ich zakryla. Umiestnite nádobu na najnižšiu policu.

◆ Nechajte okolo jedla priestor, aby mohol vo vnútri jednotky cirkulovať vzduch. Uistite sa, že sú všetky časti jednotky udržiavané v chlade.

◆ Ak chcete zabrániť prenosu chutí a vyschnutia, zabaľte alebo zakryte jedlo samostatne. Ovocie a zeleninu balíť nemusíte.

◆ Pred vložením do jednotky nechajte predvarené potraviny vždy vychladnúť. To pomôže udržiavať vnútornú teplotu jednotky.

◆ Ak chcete zabrániť úniku studeného vzduchu z jednotky, skúste obmedziť počet otvárania dverí. Odporúčame, aby ste dvere otvárali len vtedy, keď potrebujete potraviny vybrať alebo vložiť.

4.4 Výmena žiarovky

Výmenu žiarovky musí vykonať odborník.

5. ČISTENIE

5.1 Odmrazovanie

POZNÁMKA: TOTO ZARIADENIE NEMÁ AUTOMATICKÝ SYSTÉM ODMAZÁVANIA.

Pri odstraňovaní námrazy z vyparovača použite plastovú lyžicu na ľad. Nepoužívajte ostré kovové predmety.

5.2 Čistenie vnútorného a vonkajšieho povrchu jednotky

- ◆ Prach za chladničkou a na podlahe je potrebné včas odstrániť, aby sa tak zlepšil chladiaci účinok a ušetrila energia.
- ◆ Pravidelne kontrolujte tesnenie dvierok, aby ste sa uistili, či na ňom nie sú žiadne zvyšky. Tesnenie dvierok čistite mäkkou utierkou navlhčenou v mydlovej vode alebo zriedenom čistiacom prostriedku.
- ◆ Vnútrotný priestor chladničky by mal byť čistený pravidelne, aby ste tak zabránili vzniku zápachu.
- ◆ Pred čistením vypnite napájanie spotrebiča, povyberajte všetky potraviny, nápoje, police, zásuvky, atď.
- ◆ Na čistenie vnútorného priestoru chladničky použite mäkkú utierku alebo špongiu s roztokom dvoch lyžíc jedlej sódy a litra teplej vody. Potom vnútorný priestor opláchnite vodou a utrite dosucha. Po vyčistení otvorte dvierka a nechajte spotrebič prirodzene vyschnúť skôr, ako zapnete napájanie.
- ◆ Tie časti chladničky, ktoré sa ťažko čistia (ako sú medzery alebo kúty), sa odporúča pravidelne utierať mäkkou tkaninou, mäkkou kefkou atď. a ak je to potrebné, čistenie skombinovať s niektorými pomocnými nástrojmi (ako sú tenké tyčinky), aby ste tak zabezpečili, že v týchto oblastiach nedôjde k nahromadeniu žiadnych kontaminantov alebo baktérií.
- ◆ Nepoužívajte mydlo, saponát, čistiaci prášok, sprejový čistič atď., pretože tieto prostriedky môžu zanechať zápach vo vnútornom priestore chladničky alebo kontaminovať potraviny.
- ◆ Koše vyčistite mäkkou tkaninou navlhčenou v mydlovej vode alebo zriedenom čistiacom prostriedku. Vysušte pomocou mäkkej tkaniny alebo nechajte vysušiť prirodzene.
- ◆ Vonkajší povrch chladničky utrite mäkkou tkaninou navlhčenou v mydlovej vode, čistiacom prostriedku atď. a potom utrite dosucha.
- ◆ Nepoužívajte tvrdé kefy, čistiace drôtenky, drôtené kefy, abrazívne prostriedky (ako sú zubné pasty), organické rozpúšťadlá (ako je alkohol, acetón, banánový olej, atď.), vriacu vodu, kyslé alebo zásadité prostriedky, ktoré môžu poškodiť povrch ako aj vnútorný priestor chladničky. Vriaca voda a organické rozpúšťadlá ako je napríklad benzén, môžu deformovať alebo poškodiť plastové časti spotrebiča.
- ◆ V priebehu čistenia neoplachujte spotrebič priamo vodou ani inými tekutinami, aby ste predišli skratu alebo nenarušili elektrickú izoláciu.

5.3 Rady na čistenie

Na vonkajšom povrchu jednotky sa môže objaviť kondenzácia. Môže to byť z dôvodu zmeny izbovej teploty. Utrite všetku zvyškovú vlhkosť. Ak problém pretrváva, o pomoc sa obráťte na kvalifikovaného technika.

6. ÚDRŽBA

6.1 Výmena žiarovky vnútorného osvetlenia

Výmenu žiarovky musí vykonať odborník..

6.2 Starostlivosť pri manipulácii / presune jednotky

Pri presune zariadenie držte za jeho strany alebo základňu. Za žiadnych okolností sa nesmie zdvíhať držaním za okraje horného povrchu.

6.3 Servis

Servis jednotky by mal uskutočňovať autorizovaný technik a mali by sa používať len originálne náhradné diely. Za žiadnych okolností sa nepokúšajte jednotku opraviť sami. Opravy uskutočnené neskúsenými osobami môžu spôsobiť zranenie alebo vážnu poruchu produktu. Kontaktujte kvalifikovaného technika.

6.4 Vypnutie na dlhú dobu

Ak sa jednotka dlhšiu dobu nepoužíva, odpojte ju od siete, vyberte všetko jedlo a spotrebič vyčistite. Dvere nechajte pootvorené, aby ste predišli nepríjemným zápachom.

7. Riešenie problémov

Nasledujúce jednoduché problémy môže vyriešiť používateľ. Ak problémy nie je možné vyriešiť, obráťte sa prosím na servisné stredisko.

Nefunkčnosť	Skontrolujte, či je mraznička zapojená a pripojená k napájaniu; Napätie v sieti je nízke; Došlo k výpadku elektrickej energie alebo vypínací mechanizmus odpojil obvod
Vôňa	Zapáchajúce potraviny by ste mali dôkladne zabaliť; Skontrolujte, či nie sú potraviny pokazené; Skontrolujte, či nie potrebné vyčistiť vnútorný priestor spotrebiča.
Kompresor je v prevádzke dlhodobo	Je normálne, že chladnička funguje v letnom období dlhšie, ak je okolitá teplota vyššia; Nevkladajte do mraznička veľmi veľa potravín naraz; Nevkladajte potraviny dovedy, pokiaľ nie sú vychladené; Dvierka chladničky sú otvárané často.
Osvetlenie nesvieti	Či je chladnička pripojená k elektrickej sieti a či je kontrolka poškodená.
Dvierka chladničky nie je možné zatvoriť správne.	Dvierka chladničky sú prilepené obalmi z potravín. V chladničke je veľmi veľa potravín; Nakloňte chladničku.
Hlasné zvuky	Skontrolujte, či sú potraviny v rovine, či je chladnička vyvážená; Alebo či sú súčasti chladničky správne umiestnené.

7.1 Tipy:

- ◆ Vonkajší povrch chladničky môže v priebehu prevádzky, najmä v lete, vyžarovať teplo, je to spôsobené žiarením kondenzátora a ide o normálny jav.
- ◆ Kondenzácia vlhkosti: ku kondenzácii vlhkosti dochádza na vonkajšom povrchu a tesnení dvierok mraznička vtedy, ak je vysoká okolitá vlhkosť, čo je normálny jav a túto kondenzáciu môžete utrieť suchou utierkou.

◆ Bzučanie: Bzučanie bude vytvárané činnosťou kompresora a to hlavne pri jeho spúšťaní alebo vypínaní.

8. NA ÚSPORU ENERGIE


Varovania týkajúce sa úspory energie

- 1) Chladnička nemusí fungovať trvalo (možnosť rozmrazenia obsahu alebo príliš vysokej teploty v priehradke na mrazené potraviny), ak je umiestnená dlhší čas v prostredí pod spodnou hranicou rozsahu teplôt, pre ktoré je mraznička navrhnutá.
- 2) Platí zásada, že šumivé nápoje by sa nemali skladovať v mraziacich priestoroch na potraviny alebo v skrinkách s nízkou teplotou a že niektoré produkty, ako sú kocky ľadu, by nemali byť konzumované veľmi studené.
- 3) Neprekračujte čas skladovania odporúčaný výrobcom potravín pre akékoľvek druhy potravín a hlavne v prípade komerčne rýchlo zmrazených potravín v priestoroch na skladovanie mrazených potravín alebo v skrinkách.
- 4) Dodržiavajte opatrenia potrebné na zabránenie neprimeraného zvýšenia teploty mrazených potravín pri rozmrazovaní chladiaceho spotrebiča, ako je napríklad zabalenie mrazených potravín do niekoľkých vrstiev novín.
- 5) Platí fakt, že zvýšenie teploty mrazených potravín v priebehu manuálneho rozmrazovania, údržby alebo čistenia môže skrátiť dobu skladovania.

9. LIKVIDÁCIA

Staré jednotky majú stále nejakú zostatkovú hodnotu. Ekologický spôsob likvidácie zaisťuje, že cenné suroviny budú môcť byť opäť získané a použité. Chladivo použité v jednotke a izolačné materiály vyžadujú špeciálne postupy likvidácie. Pred likvidáciou sa uistite, že žiadna z trubičiek na zadnej strane jednotky nie je poškodená. Aktuálne informácie o možnostiach likvidácie starej jednotky a obalov z novej jednotky získate na miestnom úrade.

Pri likvidácii starej jednotky odloďte všetky staré zámky alebo západky a na zabezpečenie odoberte dvere.

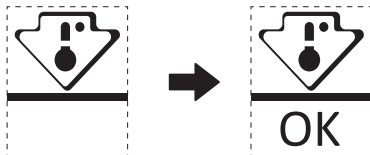
Správna likvidácia tohto produktu.	
	<p>Správna likvidácia tohto produktu.</p> <p>Toto označenie znamená, že tento výrobok nesmie byť likvidovaný spolu s iným komunálnym odpadom v celej EÚ. Aby sa zabránilo možnému znečisteniu životného prostredia, alebo poškodeniu ľudského zdravia nekontrolovanou likvidáciou odpadu, recyklujte zodpovedne, za účelom udržateľného využívania druhotných surovín. Ak chcete vrátiť použité zariadenie, použite prosíme systém zberu a recyklácie, alebo sa obráťte na predajcu, u ktorého ste výrobok kúpili. Oni môžu tento výrobok ekologicky bezpečne recyklovať.</p>

Ďalšie informácie vám poskytnú miestny úrad alebo predajca, u ktorého ste si produkt zakúpili.

Najchladnejšia zóna chladničky

VOLITEĽNÉ: Indikátor teploty OK

- Indikátor teploty OK možno použiť na určenie teplôt pod +4°C. Postupne znížte teplotu, ak značka neukazuje „OK“.



- Aby ste zabezpečili teplotu v tejto oblasti, nemeňte umiestnenie police. Chladničky s núteným obehom vzduchu (vybavené ventilátorom alebo modely No Frost), symbol najchladnejšej zóny nie je znázornený, pretože teplota vo vnútri chladničky je homogénna.

Nastavenia indikátora teploty

- Aby ste si chladničku dobre nastavili, je vybavená indikátorom teploty, ktorý bude sledovať priemernú teplotu v najchladnejšej zóne.
- POZOR: Tento indikátor je určený len pre vašu chladničku, nepoužívajte ho v inej chladničke (v skutočnosti najchladnejšia zóna nie je rovnaká) ani na žiadne iné použitie.

Kontrola teploty v najchladnejšej zóne

- Pomocou indikátora teploty môžete pravidelne kontrolovať, či je teplota v najchladnejšej zóne správna. Vnútna teplota chladničky závisí od rôznych činiteľov ako napríklad teplota okolia v miestnosti, množstvo uložených potravín a frekvencia otvárania dverí. Zohľadnite tieto faktory pri nastavovaní zariadenia.
- Keď indikátor ukazuje „OK“, znamená to, že váš termostat je dobre nastavený a vnútorná teplota je správna.
- Ak sa indikátor teploty zmení do BIELA, znamená to, že teplota je príliš vysoká. v takom prípade zvýšte nastavenie ovládania teploty chladničky a počkajte 12 hodín pred vykonaním novej vizuálnej kontroly indikátora. Keď sa vložili čerstvé potraviny alebo keď sa nechajú otvorené dvere na nejaký čas, je normálne, že farba indikátora teploty sa zmení na BIELU.

Tabuľka 1 Klimatické triedy

Trieda	Symbol	Rozsah teploty okolia °C
Predĺžené mierne	SN	+10 do +32
Mierne	N	+16 do +32
Subtropické	ST	+16 do +38
Tropické	T	+16 do +43

Rozšírené mierne: „toto chladiace zariadenie je určené na použitie pri teplotách okolia od 10 °C do 32 °C“.

mierne: „toto chladiace zariadenie je určené na použitie pri teplotách okolia od 16 °C do 32 °C“.

Subtropické: „toto chladiace zariadenie je určené na použitie pri teplotách okolia od 16 °C do 38 °C“.

Tropické: „toto chladiace zariadenie je určené na použitie pri teplotách okolia od 16 °C do 43 °C“.

Objednané diely v nasledujúcej tabuľke je možné získať z:

Objednaná časť	Poskytuje	Minimálny čas potrebný na poskytnutie
termostaty	Profesionálny personál údržby	Minimálne 7 rokov po uvedení posledného modelu na trh
tepelné senzory	Profesionálny personál údržby	Minimálne 7 rokov po uvedení posledného modelu na trh
dosky s plošnými spojami	Profesionálny personál údržby	Minimálne 7 rokov po uvedení posledného modelu na trh
zdroje svetla	Profesionálny personál údržby	Minimálne 7 rokov po uvedení posledného modelu na trh
kľučky dverí	Profesionálni opravári a finálni používatelia	Minimálne 7 rokov po uvedení posledného modelu na trh
pánty dverí	Profesionálni opravári a finálni používatelia	Minimálne 7 rokov po uvedení posledného modelu na trh
podnosy	Profesionálni opravári a finálni používatelia	Minimálne 7 rokov po uvedení posledného modelu na trh
koše	Profesionálni opravári a finálni používatelia	Minimálne 7 rokov po uvedení posledného modelu na trh
tesnenia dverí	Profesionálni opravári a finálni používatelia	Minimálne 10 rokov po uvedení posledného modelu na trh

Vážení zákazníci

1. Ak chcete produkt vrátiť alebo vymeniť, obráťte sa na obchod, v ktorom ste ho kúpili.
(Nezabudnite priniesť nákupnú faktúru)
2. Ak sa váš produkt pokazí a je potrebné ho opraviť, kontaktujte poskytovateľa popredajného servisu.

Tartalom

1	BIZTONSÁGI FIGYELMEZTETÉS.....	HU-1
2	TELEPÍTÉS	HU-4
2.1	Elhelyezés	HU-4
2.2	Ajtószárny Megcserélése (opcionális).....	HU-4
2.3	Ajtókilincs Telepítés Megvilágítás (opcionális).....	HU-9
2.4	Ajtó Helyigény.....	HU-9
2.5	Készülék Kiegyenlítése	HU-10
2.6	Használat Előtti Tisztítás	HU-10
2.7	Készülék Használata Előtt	HU-10
2.8	Belső Kiegészítők	HU-11
3	A TERMÉK ÁTTEKINTÉSE	HU-11
4	MŰVELET	HU-12
4.1	A Készülék Bekapcsolása.....	HU-12
4.2	Zaj a Készülékben!	HU-12
4.3	Tipp az Élelmiszer Tárolására a Készülékben	HU-12
4.4	Izzó Cseréje	HU-12
5	TISZTÍTÁS.....	HU-13
5.1	Leolvasztás.....	HU-13
5.2	A Készülék Belső és Külső Tisztítása.....	HU-13
5.3	Tisztítási Tippek	HU-13
6	KARBANTARTÁS.....	HU-14
6.1	A Belső Világítás Cseréje	HU-14
6.2	Figyelmeztetések a Készülék Kezelésénél / Mozgatásánál.....	HU-14
6.3	Szerviz	HU-14
6.4	Hosszú Időre Történő Kikapcsolás.....	HU-14
7	Hibaelhárítás.....	HU-14
7.1	Melegítési tippek:	HU-14
8	ENERGIATAKARÉKOSSÁG	HU-15
9	ÁRTALMATLANÍTÁS	HU-15

1 BIZTONSÁGI FIGYELMEZTETÉS



Figyelmeztetés: tűzveszélyes / gyúlékony anyagok

EZT a készüléket háztartási és ehhez hasonló környezetben, mint például üzletek, irodák és egyéb munkahelyi közegben, személyzeti konyhában, tanyákon, valamint hotelek, motelek és egyéb vendéglátóipari egységek, panziók vendégei által, nem kiskereskedelmi célú egységekben való használatra szánják.

EZT a készülék nem használható csökkent fizikai, érzékszervi vagy szellemi képességekkel rendelkező, illetve tapasztalattal és ismeretekkel nem rendelkező személyek (beleértve a gyermekeket is) által, kivéve, ha a biztonságukért felelős személy felügyeli vagy oktatja őket a készülék használatára vonatkozóan.

A gyermekek felügyeletével kell biztosítani azt, hogy ne játszanak a készülékkel.

HA a tápkábel megsérült, azt a gyártónak, a gyártói szerviznek vagy hasonlóan képzett személynek kell kicserélnie a veszély elkerülése érdekében.

NE tároljon robbanásveszélyes anyagokat, például gyúlékony hajtóanyagot tartalmazó aeroszolos dobozokat a készülékben.

A készüléket használat után és a készüléken végzett felhasználói karbantartás előtt ki kell húzni a hálózatból.

FIGYELMEZTETÉS: A szellőzőnyílásokat a készülékházban vagy a beépített szerkezetben tartsa akadálymentesen.

FIGYELMEZTETÉS: A leolvasztási folyamat felgyorsításához ne használjon mechanikus eszközöket vagy más eszközöket, a gyártó által ajánlottakon kívül.

FIGYELMEZTETÉS: Ne okozzon sérülést a hűtőközeg körében.

FIGYELMEZTETÉS: Ne használjon elektromos készülékeket az élelmiszer-tároló rekeszekben, kivéve, ha azok a gyártó által ajánlott típusúak.

FIGYELMEZTETÉS: Kérjük, a helyi szabályozásnak megfelelő módon ártalmatlanítsa a hűtőt, mert gyúlékony fűvógázt és hűtőközeget használ.

FIGYELMEZTETÉS: A készülék elhelyezésekor ügyeljen arra, hogy a tápkábel ne akadjon be sehova és ne sérüljön meg.

FIGYELMEZTETÉS: Ne helyezzen hordozható elosztókat vagy hordozható tápegységeket a készülék hátuljához.

NE használjon hosszabbítót vagy nem-földelt (kétágú) adaptert.

VESZÉLY: Gyermekes csapdába esésének veszélye. Mielőtt kidobja régi hűtőszekrényét vagy fagyasztóját:

- Vegye le az ajtókat.
- Hagyja a polcokat a helyükön, nehogy a gyermekek belemászanak.

A hűtőszekrényt le kell választani az áramforrásról, mielőtt megkísérelné a tartozékok beszerelését.

A készülékhez használt HŰTŐANYAG és a ciklopentán habosító anyag gyúlékony. Amikor a készüléket leselejtezik, minden tűzforrástól távol kell tartani, és egy speciális, megfelelő képzéssel rendelkező hasznosító vállalatnak kell feldolgoznia, de semmiképpen nem égetéssel kell ártalmatlanítani, hogy megakadályozzuk a környezet károsodását vagy bármilyen más kárt.

Az EN szabványra vonatkozóan: Ezt a készüléket 8 éves vagy annál idősebb gyermekek, valamint csökkent érzékszervi vagy szellemi képességekkel rendelkező vagy tapasztalattal és tudással nem rendelkező személyek is használhatják, ha felügyeletet kapnak vagy utasítást kaptak a készülék biztonságos használatára vonatkozóan, és megértik az ezzel járó veszélyeket. A gyerekek nem játszhatnak a készülékkel. A tisztítását és karbantartását nem végezhetik felügyelet nélkül hagyott gyerekek. 3 és 8 év közötti gyermekek be- és kipakolhatnak a hűtőberendezésekbe.

A zárral és kulccsal ellátott ajtók vagy fedelek esetében a kulcsokat a gyermekek számára elérhetetlen helyen, nem a hűtőkészülék közelében kell tartani annak érdekében, hogy elkerüljék a gyermekek bezáródását a készülékbe.

AZ élelmiszerek szennyeződésének elkerülése érdekében kérjük, tartsa be az alábbi utasításokat:

- Az ajtó hosszabb ideig történő nyitva hagyása jelentős hőmérséklet-növekedést eredményezhet a készülék rekeszeiben.
- Tisztítsa meg rendszeresen azokat a felületeket, amelyek érintkezésbe kerülhetnek az élelmiszerrel, és a hozzáférhető vízelvezető rendszerekkel.
- Tisztítsa meg a víztartályokat, ha 48 órán keresztül nem használták őket; öblítse át a vízhálózatához csatlakoztatott vízellátó egységet, ha 5 napig nem eresztették le a vizet, (megjegyzés 1.).
- A nyers húst és a halat tárolja megfelelő edényekben a hűtőszekrényen belül, hogy ne érintkezzen más élelmiszerrel, és ne is csöpögjön rá.
- A kétszintes fagyasztott-élelmiszer rekeszek alkalmasak előfagyasztott élelmiszerek tárolására, fagyalt készítésére vagy tárolására, és jégkocka készítésére. (megjegyzés 2.)
- Az egy-, két- és háromszintes rekeszek nem alkalmasak friss élelmiszerek fagyasztására (megjegyzés 3.).

- Ha a hűtőszekrény hosszú ideig üresen marad, kapcsolja ki, olvassza le, tisztítsa meg, szárítsa ki és hagyja nyitva az ajtaját, hogy megelőzze a penész kialakulását a készülék belsejében.

- A 4 csillagos rekessel nem rendelkező készülékekhez: ez a hűtőszekrény nem alkalmas élelmiszerek lefagyasztására. (megjegyzés 4.)

Megjegyzés 1, 2, 3, 4: Kérjük, erősítse meg, hogy a termék rekesztípusának megfelelően alkalmazható-e.

SZABADON álló készüléknél: ez a hűtőkészülék nem használható beépíthető készülékként.

A LED-lámpák MINDEN cseréjét vagy karbantartását a gyártó szerviznek vagy hasonló képesítéssel rendelkező személynek kell elvégeznie.

2 TELEPÍTÉS

2.1 Elhelyezés

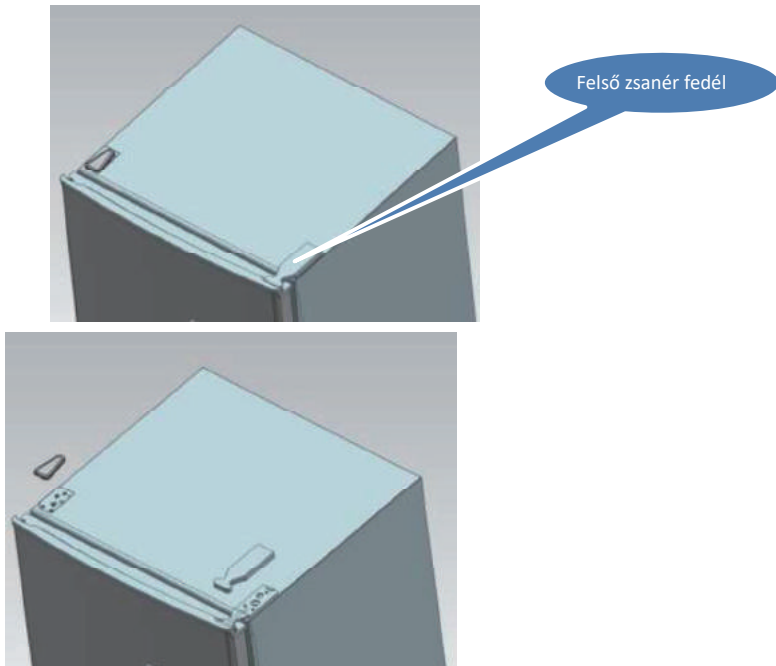
A készülék helyének kiválasztásakor ügyeljen arra, hogy a padló sík és szilárd legyen, és a helyiség jól szellőzzön. Kerülje a készülék elhelyezését hőforrás, pl. tűzhely, kazán vagy radiátor közelében. Kerülje a közvetlen napfényt, mivel az növelheti az elektromos fogyasztást. A szélsőségesen hideg környezeti hőmérséklet a készülék nem megfelelő működését eredményezheti. Ezt a készüléket nem garázsba, és nem kültéri telepítésre tervezték. A készüléket ne takarja le semmilyen anyaggal.

A készülék beszerelésekor ügyeljen arra, hogy mindkét oldalon 10 cm, hátul 10 cm, a készülék tetején pedig 30 cm szabad hely maradjon. Ez lehetővé teszi a hideg levegő keringését a borhűtő körül, és javítja a hűtési folyamat hatékonyságát.

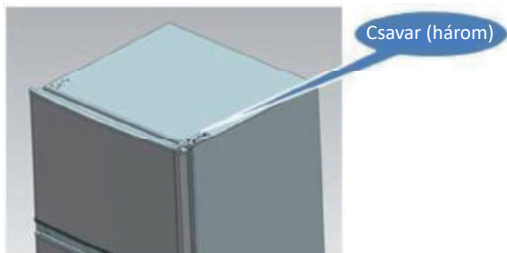
2.2 Ajtószárny Megcserélése (opcionális)

Szükséges eszközök: Phillips csavarhúzó / Lapos csavarhúzó / Hatszögletes csavarkulcs

- 1) Távolítsa el a felső zsanérfedélet.



- 2) Távolítsa el a felső zsanérhoz rögzített csavarokat keresztcsavarhúzóval.

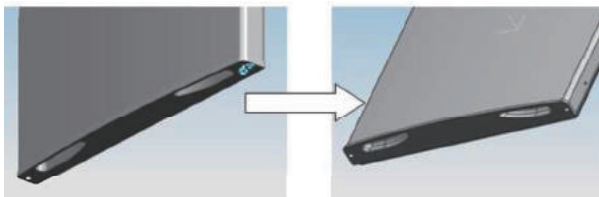


- 3) Helyezze át a felső zsanért és a felső ajtó támasztó-elemet, valamint a csapágyperselyt a másik oldalra.

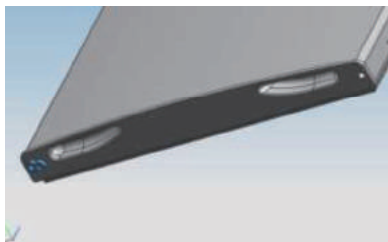
- A. Távolítsa el az anyát a hüvellyel együtt. Vegye le az alátétet, majd távolítsa el a tengelyeket és helyezze a másik oldalra majd rögzítse.



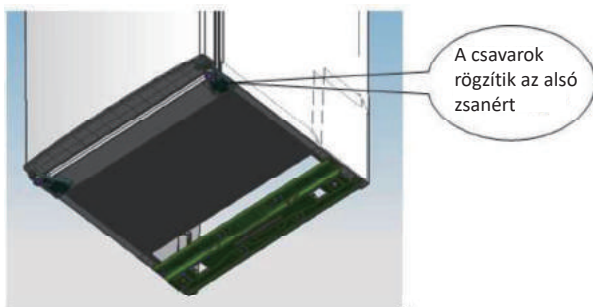
- B. Távolítsa el az ajtó támasztó-elemet.



- C. Vegyen ki egy másik ajtó támasztó-elemet és csavarral rögzítse az ajtóhoz.

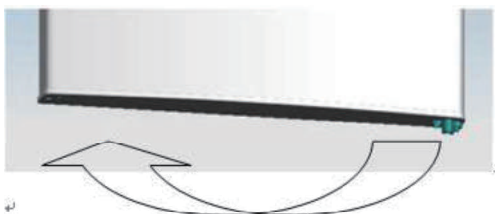


- 4) Keresztcsavarhúzó segítségével szerelje le az alsó zsanérhoz rögzített csavarokat.

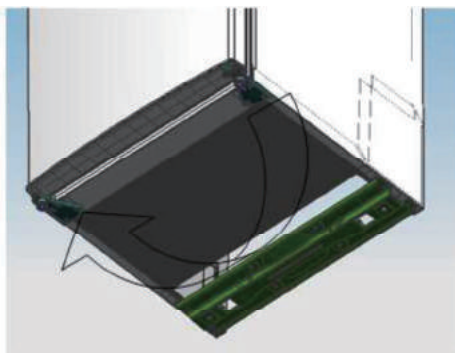


Megjegyzés: a hűtőszekrény-fagyasztó ferde dőlésszöge kevesebb mint 45° .

- 5) Helyezze át az alsó ajtó csapágyperselyét és a támasztó-elemet.



- 6) Helyezze át az alsó zsanért a másik oldalra és csavarral rögzítse.



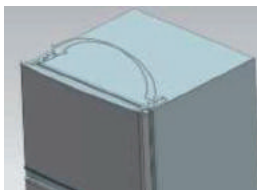
7) Cserélje le a középső zsanért.



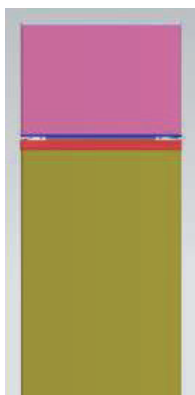
8) Állítsa be az ajtó jobboldali helyzetét, rögzítse a középső zsanért.



9) Cserélje le a felső zsanért.



10) Állítsa be a felső ajtó jobboldali helyzetét, rögzítse a felső zsanért és a fedelet.



11) Szerelje be a négy csavaros kupakot és a két reteszt a megfelelő pozícióba.

- Húzza ki a *készüléket és győződjön meg róla, hogy üres.*
- *Állítsa a legmagasabb pozícióba a két szintezőlábat.*
- *Javasoljuk egy másik személy segítségének igénybevételét.*

12) Helyezze át a szintezőt a másik oldalra és állítsa be úgy, hogy vízszintesen legyen.



* A fenti ábra csak tájékoztató jellegű. A tényleges konfiguráció függ a fizikai terméktől vagy a forgalmazó ismertetőjétől

2.3 Ajtókilincs Telepítés Megvilágítás (opcionális)

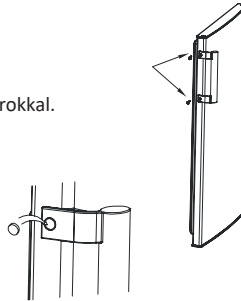
Megjegyzés: A használati útmutatóban szereplő ábrák csak tájékoztató jellegűek. A konkrét termék eltérő lehet.

A hűtőszekrényt a tartozék felszerelését megelőzően le kell csatlakoztatni az áramforrásról.

1. lépés: vegyen ki két dugaszcsapot az ajtóból (az ajtó oldala nyitva)



2. lépés: Szerelje fel a kilincset az ajtóra, és rögzítse csavarokkal.



3. lépés: Fedje be a fogantyú csavaros kupakjait a csavarfuratokba

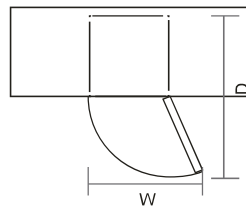


* A fenti ábra csak tájékoztató jellegű. A tényleges konfiguráció függ a fizikai terméktől vagy a forgalmazó ismertetőjétől

2.4 Ajtó Helyigény

A készülék ajtaját a képen látható módon teljese nyithatónak kell lennie.

$W \times D \geq 902 \times 1052$ mm



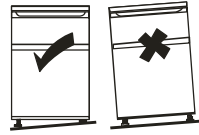
2.5 Készülék Kiegyenlítése

Ehhez állítsa be a készülék elején lévő két szintező lábat.

Ha a készülék nincs vízszintben, az ajtó és a mágneses tömítés igazítása nem lesz megfelelően lefedve.

Használat előtt győződjön meg arról, hogy a láb a talajhoz ér.

Fölről lefelé nézve, az óramutató járásával megegyező irányban lazítva, az óramutató járásával ellentétesen meghúzva.



2.6 Használat Előtti Tisztítás

Törölje át a készülék belsejét enyhe szóda-bikarbónás oldattal. Majd langyos vízzel öblítse le, használjon "kifacsart" szivacsot vagy rongyot. A polcokat és a salátatartót meleg szappanos vízben mossa el, és teljesen szárítsa meg, mielőtt visszahelyezi a készülékbe. Kívülről nedves ruhával tisztítsa meg a készüléket. Ha bővebb információra van szüksége, nézze meg a Tisztítás részt.

2.7 Készülék Használata Előtt

A biztonságos használat érdekében semmilyen körülmények között ne okozzon sérülést a tápkábelnek, és ne használja, ha a tápkábel sérült vagy a dugó már megkopott és meglazult.

Ne tegyen gyúlékony, robbanásveszélyes, illékony és erősen maró anyagokat a hűtőszekrénybe a termék károsodásának vagy tűzbalesetek megelőzése érdekében.

A tüzek elkerülése érdekében ne tegyen gyúlékony tárgyakat a hűtőszekrény közelébe.

Ez a termék háztartási hűtőszekrény, és csak élelmiszerek tárolására alkalmas. A nemzeti szabványok szerint a háztartási hűtőszekrények nem használhatók más célokra, például vér, gyógyszerek vagy biológiai termékek tárolására.

Ne helyezzen a fagyasztóba olyan tárgyakat, mint a palackozott vagy lezárt folyadéktartályok, palackozott sörök és italok, elkerülve a palackok kibukkanását és egyéb károkat.

Mielőtt bármilyen élelmiszert helyezne a készülékbe, kapcsolja be és várjon 24 órát, így ellenőrizve a készülék megfelelő működését, és elegendő időt hagyva a készüléknek a megfelelő hőmérséklet elérésére. Ne töltse túl a készüléket.



◆ Csatlakoztatás előtt

Ellenőrizze, hogy a készülékhez mellékelt csatlakozóval kompatibilis dugaljjal rendelkezik-e.

◆ Bekapcsolás előtt!

Mozgatás után várjon 2 órát mielőtt bekapcsolná.

2.8 Belső Kiegészítők

A készülékhez különböző üveg- vagy műanyag tároló polcok tartoznak - a különböző modellek különböző kombinációkkal rendelkeznek.

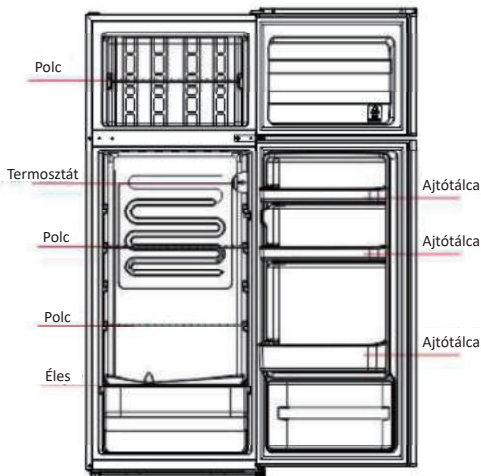
Az egyik teljes méretű üveg tároló polcot mindig a legalsó helyre, a gyümölcs- és zöldségtartályok fölé kell csúsztatni, és ebben a helyzetben kell tartani. Ehhez húzza előre a tároló polcot, amíg felfelé vagy lefelé nem forgatható és ki nem vehető.

Ugyanezt tegye meg fordítva, ha a polcot más magasságban szeretné behelyezni.



Annak érdekében, hogy a friss élelmiszerek tárolására szolgáló rekesz és a fagyasztott élelmiszerek tárolására szolgáló rekesz térfogatát a lehető legjobban kihasználhassa, a napi használatnak megfelelően kivehet egy vagy több polcot, fiókot a készülékből.

3 A TERMÉK ÁTTEKINTÉSE



A fiókok, ételdobozok, polcok, stb. a fenti képen látható módon történő elhelyezése a leginkább energia hatékony.

* A fenti ábra csak tájékoztató jellegű. A tényleges konfiguráció függ a fizikai terméktől vagy a forgalmazó ismertetőjétől

4 MŰVELET

4.1 A Készülék Bekapcsolása

„Off (Ki)” beállítás: Készülék KI:

„Min (Minimális)” beállítás Alacsonyabb hűtési hőmérséklet

„Med (Közepes hőmérséklet)” vagy „Mid (Közepes hőmérséklet)” beállítás Normál működtetés (legtöbb helyzetben alkalmas)

„Max (Maximális)” beállítás Leghidegebb hőmérséklet

◆ Magas környezeti hőmérséklet esetén, pl. forró nyári napokon. Szükség lehet arra, hogy a termosztátot a leghidegebb beállításra állítsa (pozíció „Max (Maximális)”). Ez azt eredményezheti, hogy a kompresszor folyamatosan működik, hogy alacsony hőmérsékletet tartson fenn a készülékben.

◆ A hűtőszekrény első üzembe helyezésekor állítsa a termosztát gombját a „Med (Közepes hőmérséklet)” állásba.

Adjon időt a hűtőszekrénynek, hogy teljesen lehűljön, mielőtt ételt helyezne bele. A legjobb, ha 24 órát vár az élelmiszerek bepakolása előtt. A termosztátgomb szabályozza a hőmérsékletet. Ha a termosztátvezérlő gomb OFF (ki) állásban van, a hűtőszekrény nem fog működni.

4.2 Zaj a Készülékben!

Észreveheti, hogy a készüléke szokatlan hangokat ad ki. A legtöbb esetben ez normális, de oda kell rá figyelni!

Ezeket a zajokat a hűtőfolyadék keringése okozza a hűtőrendszerben. A CFC-mentes gázok használata óta ez még hangsúlyosabbá vált. Ez nem hiba, és nem befolyásolja a készülék teljesítményét. Ez a kompresszor motorjának működése, ahogy a hűtőközeget a rendszerben pumpálja.

4.3 Típek az Élelmiszer Tárolására a Készülékben

◆ A főtt húsokat/halakat mindig a nyers húsok/halok feletti polcon kell tárolni a baktériumok átvitelének elkerülése érdekében. A nyers húsokat/halakat olyan edényben tartsa, amely elég nagy ahhoz, hogy a levet felfogja, és megfelelően lefedje. Helyezze a tárolóedényt a legalsó polcra.

◆ Hagyjon helyet az élelmiszer körül, hogy a levegő keringessen a készülék belsejében. Gondoskodjon arról, hogy a készülék minden része hűvös maradjon.

◆ Az étel illat átvitelének és kiszáradásának megakadályozása érdekében külön csomagolja vagy fedje le az ételeket. A gyümölcsöket és zöldségeket nem kell becsomagolni.

◆ Az előfőzött ételeket mindig hagyja kihűlni, mielőtt betenné a készülékbe. Ez segít fenntartani a készülék belső hőmérsékletét.

◆ Annak érdekében, hogy a hideg levegő ne szökjön ki a készülékből, próbálja meg nem túl sűrűn nyitogatni az ajtót. Javasoljuk, hogy csak akkor nyissa ki az ajtót, amikor ételt kell betenni vagy kivenni.

4.4 Izzó Cseréje

Lámpacsere szakemberek által.

5 TISZTÍTÁS

5.1 Leolvasztás

VEGYE FIGYELEMBE, HOGY EZ A KÉSZÜLÉK NEM RENDELKEZIK AUTOMATIKUS LEOLVASZTÁSI RENDSZERREL.

Kérjük, használjon műanyag jéglapátot, amikor a párologtatóról a fagyot eltávolítja. Ne használjon éles fémtárgyakat.

5.2 A Készülék Belső és Külső Tisztítása

- ◆ A hűtő mögötti és a földön keletkezett port időben fel kell tisztítani a hűtési hatás és az energiatakarékosság javítása érdekében.
- ◆ Rendszeresen ellenőrizze az ajtó tömítését, hogy nincs-e benne morzsa vagy törmelék. Tisztítsa meg az ajtó tömítést szappanos vízzel vagy mosószeres vízzel megnedvesített puha ruhával.
- ◆ A hűtőszekrény belsejét rendszeresen tisztítani kell a szagok elkerülése érdekében.
- ◆ Kérjük, kapcsolja ki a készüléket a belső tér tisztítása előtt, távolítsa el az összes ételt, italt, polcokat, fiókokat stb.
- ◆ Puha ruhával vagy szivaccsal tisztítsa meg a hűtőszekrény belsejét egy liter meleg vízzel, amelybe helyezett két evőkanál szóda-bikarbónát. Ezután öblítse ki vízzel és törölje tisztára. A tisztítást követően nyissa ki az ajtót, és hagyja, hogy magától kiszáradjon, mielőtt visszakapcsolná az áramot.
- ◆ A hűtőszekrényben lévő nehezen tisztítható területeket (például keskeny zugok, hézagok vagy sarkok) ajánlatos puha ronggyal, puha kefével, stb. rendszeresen törölni, és ha szükséges kombinálja ezeket néhány kiegészítő eszközzel (például vékony pálcával), hogy ezeken a területeken ne halmozódjon fel a szennyeződés vagy a baktériumok.
- ◆ Ne használjon szappant, mosószert, súrolóport, tisztítósprayt stb., mert ezek szagokat okozhatnak a hűtőszekrény belsejében, vagy beszennyezhetik az ételeket.
- ◆ Tisztítsa meg a palacktároló keretet, a polcokat és a fiókokat szappanos vízzel vagy mosószerrel hígított vízzel megnedvesített puha ruhával. Szárítsa meg puha ruhával vagy hagyja magától megszáradni.
- ◆ Törölje le a hűtőszekrény külső felületét szappanos vízzel, mosószerrel stb. megnedvesített puha ruhával, majd törölje szárazra.
- ◆ Ne használjon kemény keféket, acél szivacsot, drótkéféket, csiszolóanyagokat (pl. fogkrémek), szerves oldószereket (pl. alkohol, aceton, banánolaj stb.), forró vizet, savas vagy lúgos elemeket, amelyek károsíthatják a hűtőszekrény felületét és belsejét. Forrásban lévő víz és szerves oldószerek, például benzol deformálhatják vagy károsíthatják a műanyag alkatrészeket.
- ◆ Tisztítás közben ne öblítse le vízzel vagy más folyadékkal közvetlenül, hogy elkerülje a rövidzárlatot, vagy ne befolyásolja az elektromos szigetelés hatékonyságát a leöntés után.

5.3. Tisztítási Tipp

Páralecsapódás jelenhet meg a készüléken. Ennek oka lehet a helyiség hőmérsékletének változása. Törölje le a nedvességmaradványokat. Ha a probléma továbbra is fennáll, forduljon szakképzett szakemberhez segítségért.

6 KARBANTARTÁS

6.1 A Belső Világítás Cseréje

A lámpa cseréjét szakemberek végzik.

6.2 Figyelmeztetések a Készülék Kezelésénél / Mozgatásánál

Mozgatas közben fogja meg a készüléket az oldala vagy a talpazata körül. Semmiképpen sem szabad a felső felület széleinél fogva emelni.

6.3 Szerviz

A készülék szervizelését csak erre jogosult szakember végezheti, és csak eredeti pótalkatrészeket szabad használni. Semmilyen körülmények között ne próbálja meg saját maga megjavítani a készüléket. A tapasztalatlan személyek által végzett javítások sérülést vagy súlyos meghibásodást okozhatnak. Forduljon megfelelő szakemberhez.

6.4 Hosszú Időre Történő Kikapcsolás

Ha a készüléket hosszabb ideig nem használja, válassza le a hálózatról, ürítse ki az összes élelmiszert, és tisztítsa meg a készüléket, az ajtót nyitva hagyva a kellemetlen szagok elkerülése érdekében.

7 Hibaelhárítás

A következő egyszerű problémákat a felhasználó is meg tudja oldani. Kérjük, hívja a szervizszolgálatot, ha a problémákat nem sikerült megoldania.

Működésképtelenség	Hogy a fagyasztó be van-e dugva és csatlakoztatva van-e a hálózathoz; Alacsony feszültség; Tápellátás meghibásodása vagy áramkör kioldása
Szag	A szagos élelmiszereket szorosan be kell csomagolni; Ellenőrizze, hogy nem romlottak-e meg az ételek; Győződjön meg róla, hogy a belső rész tiszta-e.
A kompresszor hosszú ideje tartó működése	Normális, hogy a hűtőszekrény hosszabb ideig működik nyáron, amikor a környezeti hőmérséklet is magasabb; Ne tegyen egyszerre túl sok élelmiszert a fagyasztóba; Ne tegyen be ételeket, amíg azok ki nem hűltek; A hűtőszekrény ajtajának gyakori kinyitása.
A világító fény nem világít	A hűtőszekrényt csatlakoztatták-e a hálózathoz, nem sérült-e meg a világító lámpa.
A hűtőszekrény ajtaja nem zárható megfelelően.	A fagyasztó ajtaja elakadt az élelmiszercsomagok miatt; Túl sok étel; Megdől a hűtőszekrényt.
Erős hang	Hogy az ételek kiegyenlítették-e, hogy a hűtőszekrény kiegyensúlyozott-e; A hűtőszekrény alkatrészei megfelelően vannak-e elhelyezve.

7.1 Melegítési tippek:

- ◆ A hűtő üzemeltetés közben hőt bocsáthat ki, különösen nyáron, ezt a kondenzátor sugárzása okozza, és ez normális jelenség.
- ◆ Páraelcsapódás: a fagyasztó külső felületén és ajtótomítésein kondenzációs jelensége észlelhető, ha a környezeti páratartalom nagy, ez normális jelenség, és a kondenzáció száraz törülközővel letörölhető.

◆ Zúgás: A zümmögést a kompresszor futása okozza, különösképpen indításkor vagy leállításkor.

8 ENERGIATAKARÉKOSSÁG


Energia figyelmeztetés

- 1) Előfordulhat, hogy a hűtőkészülék nem működik egyenletesen, (a tartalom leolvadásának lehetősége vagy a fagyasztottélelmiszer-rekeszben a hőmérséklet túl meleg lesz) ha hosszabb ideig a hűtőkészülék tervezett hőmérséklet-tartományának hideg vége alatt üzemeltetik.
- 2) Az tény, hogy habzó italt nem szabad élelmiszerfagyasztó rekeszekben vagy szekrényekben, vagy alacsony hőmérsékletű rekeszekben vagy szekrényekben tárolni, és egyes termékek, például víz, jég nem fogyasztható túl hidegen;
- 3) Bármilyen élelmiszer esetén, különösen az élelmiszer-fagyasztó és a fagyasztott élelmiszerek tárolására szolgáló rekeszekben vagy szekrényekben a kereskedelmi forgalomban lévő gyorsfagyasztott élelmiszerek esetén szükséges, hogy a tárolási idő ne haladja meg a gyártó által ajánlott időt;
- 4) A fagyasztott élelmiszerek hőmérsékletének, a hűtőkészülék kiolvasztása közbeni, nem kívánt emelkedésének megelőzése érdekében szükséges óvintézkedés például, hogy a fagyasztott élelmiszert több réteg újságpapírba csomagoljuk.
- 5) Az tény, hogy a fagyasztott élelmiszer hőmérsékletének emelkedése a kézi leolvasztás, karbantartás vagy tisztítás során lerövidítheti a tárolási időt.

9 ÁRTALMATLANÍTÁS

A régi egységeknek még van némi maradványértékük. A környezetbarát ártalmatlanítási módszer biztosítja, hogy az értékes nyersanyagok visszanyerhetők és újra felhasználhatók legyenek. Az Ön készülékében használt hűtőközeg és a szigetelőanyagok speciális ártalmatlanítási eljárást igényelnek. Ügyeljen arra, hogy a készülék hátoldalán lévő csövek egyike se sérüljön meg az ártalmatlanítás előtt. A régi készülék és az új készülék csomagolásának ártalmatlanítási lehetőségeivel kapcsolatos aktuális információkat a helyi önkormányzati hivatalban kaphat.

A régi készülék ártalmatlanításakor törje le a régi záratkat vagy reteszeket, és biztonsági intézkedésként távolítsa el az ajtót.

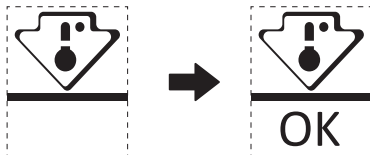
A termék megfelelő ártalmatlanítása	
	<p>A termék megfelelő ártalmatlanítása</p> <p>Ez a jelzés azt mutatja, hogy ezt a terméket nem szabad más háztartási hulladékkal együtt kidobni az Európai Unióban. Az ellenőrizetlen hulladékártalmatlanításból adódó esetleges környezeti károk vagy emberi egészségkárosodások elkerülése érdekében megfelelően hasznosítsa újra az anyagi erőforrások fenntartható újrafelhasználásának elősegítése érdekében. Használt eszközeinek visszajuttatásához kérjük, használja a visszaküldési és begyűjtési rendszereket vagy lépjen kapcsolatba azzal a kiskereskedővel, ahonnan a terméket vásárolta. Ők elvihetik ezt a terméket a környezetbarát újrafelhasználás céljából.</p>

További információért forduljon a helyi hatóságához vagy a kiskereskedőhöz, ahol a terméket vásárolta.

Leghidegebb zóna a fagyasztóban

OPCIONÁLIS: OK-hőmérsékletjelző

- Az OK-hőmérsékletjelző a +4°C alatti hőmérséklet meghatározására használható. Fokozatosan csökkentse a hőmérsékletet, ha a jelző nem jelzi az "OK"-t.



- A hőmérséklet biztosítása érdekében ezen a területen ne változtassa meg a polc elhelyezését. Kényszerlevegős hűtőszekrények (ventilátorral felszerelt vagy No Frost modellek), a leghidegebb zóna szimbóluma nem jelenik meg, mivel a belső hőmérséklet homogén.

Hőmérsékletjelző beállítása

- A megfelelő beállítás érdekében a hűtőszekrény hőmérséklet-jelzővel van felszerelve, amely a leghidegebb zóna átlaghőmérsékletét figyeli.
- FIGYELMEZTETÉS: Ez a kijelző csak az Ön hűtőszekrényével való működésre szolgál, ne használja más hűtőszekrényben (a leghidegebb zóna ugyanis nem azonos), vagy bármilyen más célra.

A hőmérséklet ellenőrzése a leghidegebb zónában

- A hőmérsékletjelzővel rendszeresen ellenőrizheti, hogy a leghidegebb zóna hőmérséklete megfelelő-e. A hűtőszekrény belső hőmérséklete több tényezőtől függ, például a helyiség környezeti hőmérsékletétől, a tárolt élelmiszerek mennyiségétől és az ajtónyitás gyakoriságától. Vegye figyelembe ezeket a tényezőket a készülék beállításakor.
- Ha a kijelző „OK” jelzést mutat, ez azt jelenti, hogy a termostát jól van beállítva és a belső hőmérséklet megfelelő.
- Ha a hőmérsékletjelző fehérre vált, ez azt jelenti, hogy a hőmérséklet túl magas; ebben az esetben növelje a hűtőszekrény hőmérséklet-szabályozási beállítását, és várjon 12 órát, mielőtt a kijelző újabb vizuális ellenőrzését elvégezné. Ha friss élelmiszer került a készülékbe, vagy az ajtó nyitva maradt, előfordulhat, hogy a hőmérsékletjelző egy idő után FEHÉRRE vált.

1. Táblázat Klímaosztályok

Osztály	Szimbólum	Környezeti hőmérséklet-tartomány °C
Kiterjesztett mérsékelt öv	SN	+10 és +32 között
Mérsékelt	N	+16 és +32 között
Szubtrópusi	ST	+16 és +38 között
Trópusi	T	+16 és +43 között

Kibővített mérsékelt 'ezt a hűtőkészüléket 10 °C és 32 °C közötti környezeti hőmérsékleten kell használni';

Mérsékelt: 'ezt a hűtőkészüléket 16 °C és 32 °C közötti környezeti hőmérsékleten kell használni';

Szubtrópusi: 'ezt a hűtőkészüléket 16 °C és 38 °C közötti környezeti hőmérsékleten kell használni';

Trópusi: 'ezt a hűtőkészüléket 16 °C és 43 °C közötti környezeti hőmérsékleten kell használni';

A megrendelt alkatrészek az alábbi táblázatban szereplő módon szerezhetőek be:

Rendelt alkatrész	Biztosítva	Ellátáshoz szükséges minimális idő
termosztát	Szakképzett karbantartó személyzet	Legalább 7 évvel az utolsó kiállított modell után
hőmérséklet szenzorok	Szakképzett karbantartó személyzet	Legalább 7 évvel az utolsó kiállított modell után
nyomatott áramkörök	Szakképzett karbantartó személyzet	Legalább 7 évvel az utolsó kiállított modell után
fényforrások	Szakképzett karbantartó személyzet	Legalább 7 évvel az utolsó kiállított modell után
ajtókilincsek	Professzionális javítók és végső használók	Legalább 7 évvel az utolsó kiállított modell után
Ajtó zsanérok	Professzionális javítók és végső használók	Legalább 7 évvel az utolsó kiállított modell után
tálcák	Professzionális javítók és végső használók	Legalább 7 évvel az utolsó kiállított modell után
kosarak	Professzionális javítók és végső használók	Legalább 7 évvel az utolsó kiállított modell után
ajtó tömítések	Professzionális javítók és végső használók	Legalább 10 évvel az utolsó kiállított modell után

Kedves Vásárló

- Ha szeretné visszaküldeni vagy kicserélni a terméket, kérjük, lépjen kapcsolatba az áruházal, ahol vásárolta.

(Ne felejtse el magával vinni a számlát)

- Ha a termék meghibásodik és javításra szorul, vegye fel a kapcsolatot a szervizzel.

comfee'

