



comfee

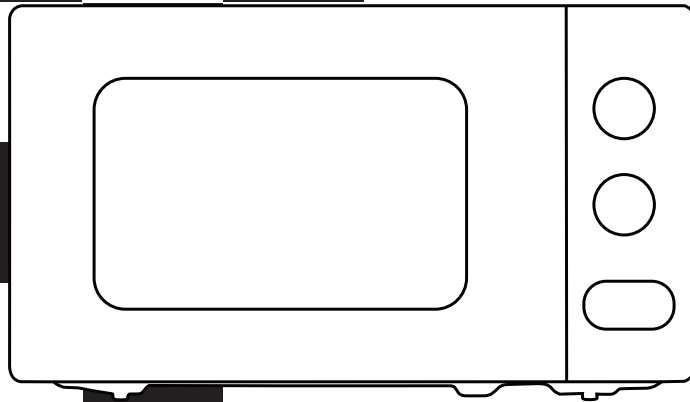
Microwave Oven

Instruction Manual

CM-M202CC(GR)

CM-M202CC(WH)

CM-M202CC(BK)



SAVE THESE INSTRUCTIONS CAREFULLY

Read these instructions carefully before using your microwave oven, and keep it carefully. If you follow the instructions, your oven will provide you with many years of good service.

01

PRECAUTIONS TO AVOID POSSIBLE EXPOSURE TO EXCESSIVE MICROWAVE ENERGY

- (a) Do not attempt to operate this oven with the door open since this can result in harmful exposure to microwave energy. It is important not to break or tamper with the safety interlocks.
- (b) Do not place any object between the oven front face and the door or allow soil or cleaner residue to accumulate on sealing surfaces.
- (c) **WARNING:** If the door or door seals are damaged, the oven must not be operated until it has been repaired by a competent person.

ADDENDUM

If the apparatus is not maintained in a good state of cleanliness, its surface could be degraded and affect the lifespan of the apparatus and lead to a dangerous situation.

SPECIFICATIONS

Model:	CM-M202CC(GR)/CM-M202CC(WH)/CM-M202CC(BK)
Rated Voltage:	230-240V- 50Hz
Rated Input (Microwave):	1100-1150 W
Rated Output (Microwave):	650-700 W

▲ **WARNING**

To reduce the risk of fire, electric shock, injury to persons or exposure to excessive microwave oven energy when using your appliance, follow basic precautions, including the following:

1. Read and follow the specific: "PRECAUTIONS TO AVOID POSSIBLE EXPOSURE TO EXCESSIVE MICROWAVE ENERGY".
2. This appliance can be used by children aged from 8 years and above and persons with reduced physical, sensory or mental capabilities or lack of experience and knowledge if they have been given supervision or instruction concerning use of the appliance in a safe way and understand the hazards involved. Children shall not play with the appliance. Cleaning and user maintenance shall not be made by children without supervision.
3. Keep the appliance and its cord out of reach of children less than 8 years.
4. If the supply cord is damaged, it must be replaced by the manufacturer, its service agent or similarly qualified persons in order to avoid a hazard.
5. **WARNING:** Ensure that the appliance is switched off before replacing the lamp to avoid the possibility of electric shock.

6. WARNING: It is hazardous for anyone other than a competent person to carry out any service or repair operation that involves the removal of a cover which gives protection against exposure to microwave energy.
7. WARNING: Liquids and other foods must not be heated in sealed containers since they are liable to explode.
8. When heating food in plastic or paper containers, keep an eye on the oven due to the possibility of ignition.
9. Only use utensils that are suitable for use in microwave ovens.
10. If smoke is emitted, switch off or unplug the appliance and keep the door closed in order to stifle any flames.
11. Microwave heating of beverages can result in delayed eruptive boiling, therefore care must be taken when handling the container.
12. The contents of feeding bottles and baby food jars shall be stirred or shaken and the temperature checked before consumption, in order to avoid burns.
13. Eggs in their shell and whole hard-boiled eggs should not be heated in microwave ovens since they may explode, even after microwave heating has ended.
14. The oven should be cleaned regularly and any food deposits removed.
15. Failure to maintain the oven in a clean condition could lead to deterioration of the surface that could adversely affect the life of the appliance and possibly result in a hazardous situation.
16. The appliance must not be installed behind a decorative door in order to avoid overheating. (This is not applicable for appliances with decorative door.)

17. Only use the temperature probe recommended for this oven. (for ovens provided with a facility to use a temperature-sensing probe.)
18. The microwave oven shall not be placed in a cabinet unless it has been tested in a cabinet.
19. The microwave oven must be operated with the decorative door open. (for ovens with a decorative door.)
20. This appliance is intended to be used in household and similar applications such as:
 - staff kitchen areas in shops, offices and other working environments;
 - by clients in hotels, motels and other residential type environments;
 - farm houses;
 - bed and breakfast type environments.
21. The microwave oven is intended for heating food and beverages. Drying of food or clothing and heating of warming pads, slippers, sponges, damp cloth and similar may lead to risk of injury, ignition or fire.
22. Metallic containers for food and beverages are not allowed during microwave cooking.
23. The appliance shall not be cleaned with a steam cleaner.
24. The appliance is intended to be used freestanding.
25. The rear surface of appliances shall be placed against a wall.

**READ CAREFULLY AND KEEP
FOR FUTURE REFERENCE**

TO REDUCE THE RISK OF INJURY TO PERSONS

GROUNDING INSTALLATION

▲ DANGER

Electric Shock Hazard

Touching some of the internal components can cause serious personal injury or death. Do not disassemble this appliance.

▲ WARNING

Electric Shock Hazard

- Improper use of the grounding can result in electric shock.
 - Do not plug into an outlet until appliance is properly installed and grounded.
 - This appliance must be grounded. In the event of an electrical short circuit, grounding reduces the risk of electric shock by providing an escape wire for the electric current.
 - This appliance is equipped with a cord having a grounding wire with a grounding plug. The plug must be plugged into an outlet that is properly installed and grounded.
 - Consult a qualified electrician or serviceman if the grounding instructions are not completely understood or if doubt exists as to whether the appliance is properly grounded.
 - If it is necessary to use an extension cord, use only a 3-wire extension cord.
1. A short power-supply cord is provided to reduce the risks resulting from becoming entangled in or tripping over a longer cord.
 2. If a long cord set or extension cord is used:
 - 1) The marked electrical rating of the cord set or extension cord should be at least as great as the electrical rating of the appliance.
 - 2) The extension cord must be a grounding-type 3-wire cord.
 - 3) The long cord should be arranged so that it will not drape over the counter top or tabletop where it can be pulled on by children or tripped over unintentionally.

Be sure to unplug the appliance from the power supply.

1. Clean the cavity of the oven after using with a slightly damp cloth.
2. Clean the accessories in the usual way in soapy water.
3. The door frame and seal and neighbouring parts must be cleaned carefully with a damp cloth when they are dirty.
4. Do not use harsh abrasive cleaners or sharp metal scrapers to clean the oven door glass since they can scratch the surface, which may result in shattering of the glass.
5. **Cleaning Tip**—For easier cleaning of the cavity walls that the food cooked can touch: Place half a lemon in a bowl, add 300ml (1/2 pint) water and heat on 100% microwave power for 10 minutes. Wipe the oven clean using a soft, dry cloth.

▲ CAUTION**Personal Injury Hazard**

It is hazardous for anyone other than a competent person to carry out any service or repair operation that involves the removal of a cover which gives protection against exposure to microwave energy.

See the instructions on "Materials you can use in microwave oven or to be avoided in microwave oven." There may be certain non-metallic utensils that are not safe to use for microwaving. If in doubt, you can test the utensil in question following the procedure below.

Utensil Test:

1. Fill a microwave-safe container with 1 cup of cold water (250ml) along with the utensil in question.
2. Cook on maximum power for 1 minute.
3. Carefully feel the utensil. If the empty utensil is warm, do not use it for microwave cooking.
4. Do not exceed 1 minute cooking time.

Materials you can use in microwave oven

Utensils	Remarks
Browning dish	Follow manufacturer's instructions. The bottom of browning dish must be at least 3/16 inch (5mm) above the turntable. Incorrect usage may cause the turntable to break.
Dinnerware	Microwave-safe only. Follow manufacturer's instructions. Do not use cracked or chipped dishes.
Glass jars	Always remove lid. Use only to heat food until just warm. Most glass jars are not heat resistant and may break.
Glassware	Heat-resistant oven glassware only. Make sure there is no metallic trim. Do not use cracked or chipped dishes.
Oven cooking bags	Follow manufacturer's instructions. Do not close with metal tie. Make slits to allow steam to escape.
Paper plates and cups	Use for short-term cooking/warming only. Do not leave oven unattended while cooking.
Paper towels	Use to cover food for reheating and absorbing fat. Use with supervision for a short-term cooking only.
Parchment paper	Use as a cover to prevent splattering or a wrap for steaming.
Plastic	Microwave-safe only. Follow the manufacturer's instructions. Should be labeled "Microwave Safe". Some plastic containers soften, as the food inside gets hot. "Boiling bags" and tightly closed plastic bags should be slit, pierced or vented as directed by package.
Plastic wrap	Microwave-safe only. Use to cover food during cooking to retain moisture. Do not allow plastic wrap to touch food.
Thermometers	Microwave-safe only (meat and candy thermometers).
Wax paper	Use as a cover to prevent splattering and retain moisture.

Materials to be avoided in microwave oven

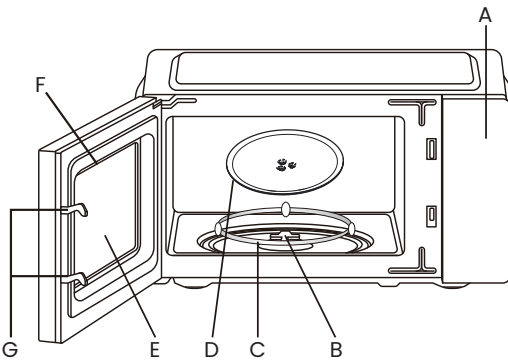
Utensils	Remarks
Aluminum tray	May cause arcing. Transfer food into microwave-safe dish.
Food carton with metal handle	May cause arcing. Transfer food into microwave-safe dish.
Metal or metaltrimmed utensils	Metal shields the food from microwave energy. Metal trim may cause arcing.
Metal twist ties	May cause arcing and could cause a fire in the oven.
Paper bags	May cause a fire in the oven.
Plastic foam	Plastic foam may melt or contaminate the liquid inside when exposed to high temperature.
Wood	Wood will dry out when used in the microwave oven and may split or crack.

▲ Names of Oven Parts and Accessories

In case of any differences between the appliance and the pictures in this manual, the product shall prevail.

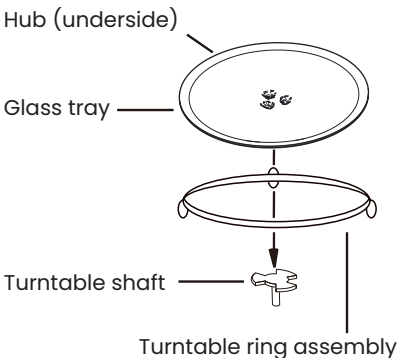
Remove the oven and all materials from the carton and oven cavity. Your oven comes with the following accessories:

Glass tray	1
Turntable ring assembly	1
Instruction Manual	1



- A) Control panel
- B) Turntable shaft
- C) Turntable ring assembly
- D) Glass tray
- E) Observation window
- F) Door assembly
- G) Safety interlock system

▲ Turntable Installation



- a. Never place the glass tray upside down. The glass tray should never be restricted.
- b. Both glass tray and turntable ring assembly must always be used during cooking.
- c. All food and containers of food are always placed on the glass tray for cooking.
- d. If glass tray or turntable ring assembly cracks or breaks, contact your nearest authorized service center.

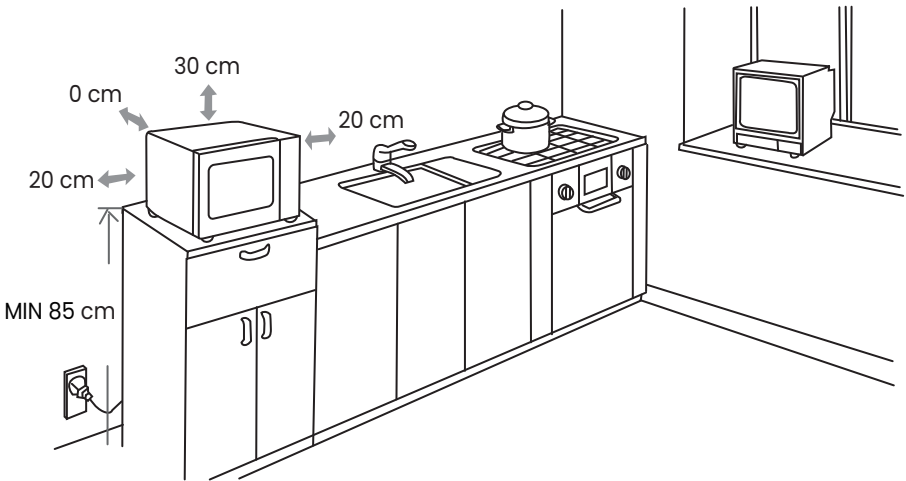
▲ COUNTERTOP INSTALLATION

Remove all packing material and accessories. Examine the oven for any damage such as dents or broken door. Do not install if oven is damaged.

Cabinet:

Remove any protective film found on the microwave oven cabinet surface. Do not remove Waveguide cover that is attached to the oven cavity to protect the magnetron.

1. Select a level surface that provide enough open space for the intake and/or outlet vents.



- 1) The minimum installation height is 85cm.
- 2) The rear surface of appliance shall be placed against a wall. Leave a minimum clearance of 30cm above the oven. A minimum clearance of 20cm is required between the oven and any adjacent walls.
- 3) Do not remove the legs from the bottom of the oven.

- 4) Blocking the intake and/or outlet openings can damage the oven.
 - 5) Place the oven as far away from radios and TV as possible.
Operation of microwave oven may cause interference to your radio or TV reception.
2. Plug your oven into a standard household outlet. Be sure the voltage and the frequency is the same as the voltage and the frequency on the rating label.

▲ WARNING

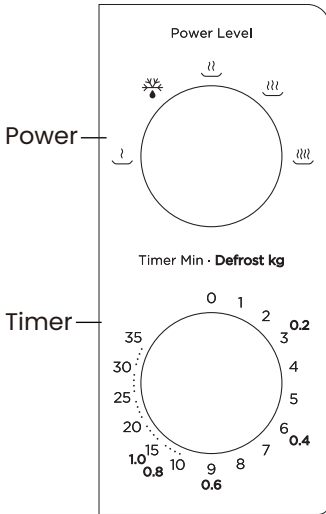
Do not install oven over a range cooktop or other heat-producing appliance. If installed near or over a heat source, the oven could be damaged and the warranty would be void.








The accessible surface may be hot during operation.

Control Panel and Features

Operation Instructions



1. To set cooking power by turning the power knob to desired level.
2. To set the time of cooking by turning the timer knob to desired time per your food cooking guide.
3. The microwave oven will automatically start cooking after power level and time are set.
4. When the cooking time is up, the unit will "Dong" to stop.
5. If the unit is not in use, always set time to "0".

Function/Power	Output	Application
	17% micro.	Soften ice cream
	33% micro.	Soup stew, soften butter or defrost
	55% micro.	Stew, fish
	77% micro.	Rice, fish, chicken, ground meat
	100% micro.	Reheat, milk, boil water, vegetables, beverage

▲ NOTICE

When removing food from the oven, please ensure that the oven power is switched off by turning the timer switch to 0 (zero). Failure to do so, and operating the microwave oven without food in it, can result in overheating and damage to the magnetron.

Normal

Microwave oven interfering TV reception	Radio and TV reception may be interfered when microwave oven operating. It is similar to the interference of small electrical appliances, like mixer, vacuum cleaner, and electric fan. It is normal.
Dim oven light	In low power microwave cooking, oven light may become dim. It is normal.
Steam accumulating on door, hot air out of vents	In cooking, steam may come out of food. Most will get out from vents. But some may accumulate on cool place like oven door. It is normal.
Oven started accidentally with no food in	It is forbidden to run the unit without any food inside. It is very dangerous.

Trouble	Possible Cause	Remedy
Oven cannot be started.	(1) Power cord is not plugged in tightly.	Unplug. Then plug again after 10 seconds.
	(2) Fuse blowing or circuit breaker works.	Replace fuse or reset circuit breaker (repaired by professional personnel of our company)
	(3) Trouble with outlet.	Test outlet with other electrical appliances.
Oven does not heat.	(4) Door is not closed well.	Close door well.



According to Waste of Electrical and Electronic Equipment (WEEE) directive, WEEE should be separately collected and treated. If at any time in future you need to dispose of this product please do NOT dispose of this product with household waste. Please send this product to WEEE collecting points where available.

comfee'
... is how i feel!

Comfee'

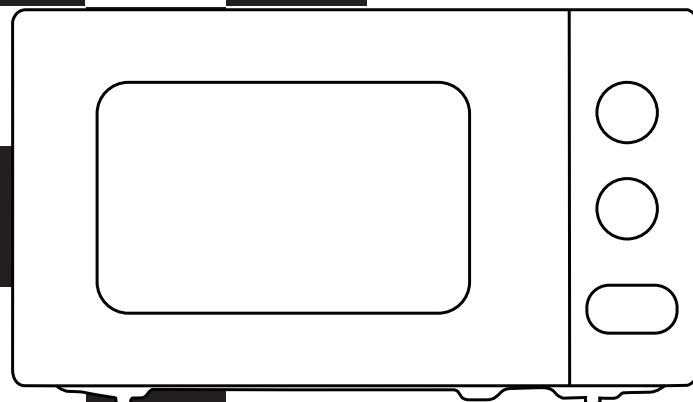
Forno a microonde

Manuale di istruzioni

CM-M202CC(GR)

CM-M202CC(WH)

CM-M202CC(BK)



CONSERVARE QUESTE ISTRUZIONI CON CURA

Leggere attentamente le presenti istruzioni prima di utilizzare il forno a microonde e conservarle con cura.

Se si rispettano le istruzioni, il forno garantisce un funzionamento ottimale e duraturo.

01

PRECAUZIONI PER EVITARE POSSIBILI ESPOSIZIONI A UN'ECESSIVA ENERGIA DELLE MICROONDE

- (a) Non tentare di far funzionare il forno con lo sportello aperto, in quanto questo può comportare un'esposizione pericolosa all'energia delle microonde. È importante non rompere o manomettere gli interblocchi di sicurezza.
- (b) Non collocare alcun oggetto tra la parte anteriore del forno e lo sportello, né lasciare che residui di sporco o detersivi si accumulino sulle superfici di tenuta.
- (c) **ATTENZIONE:** Se la porta o le guarnizioni della porta sono danneggiate, il forno non deve essere azionato fino a quando non è stato riparato da un tecnico qualificato.

APPENDICE

Se l'elettrodomestico non viene mantenuto in buono stato di pulizia, la superficie potrebbe deteriorarsi e incidere sulla durata di vita dello stesso e comportare una situazione di pericolo.

Specifiche

SPECIFICHE

Modello:	CM-M202CC(GR)/CM-M202CC(WH)/CM-M202CC(BK)
Tensione nominale:	230-240V- 50Hz
Potenza di ingresso nominale (microonde):	1100-1150 W
Potenza di uscita nominale (microonde):	650-700 W

▲ AVVERTENZA

Per ridurre il rischio di incendi, scosse elettriche, lesioni alle persone o l'esposizione a un'eccessiva energia del forno a microonde durante l'uso dell'elettrodomestico, seguire le seguenti precauzioni di base, tra cui:

1. Leggere e attenersi alla specifica: "PRECAUZIONI PER EVITARE POSSIBILI ESPOSIZIONE A UN'ECESSIVA ENERGIA DELLE MICROONDE".
2. Questo elettrodomestico può essere utilizzato da bambini dagli 8 anni in su e da persone con ridotte capacità fisiche, sensoriali o mentali o con scarsa esperienza e conoscenza, a condizione che siano assistiti o istruiti nell'uso sicuro e che comprendano i rischi connessi. I bambini non devono giocare con l'elettrodomestico. La pulizia e la manutenzione da parte dell'utente non devono essere effettuate da bambini a meno che non abbiano più di 8 anni e siano sorvegliati. I bambini di età inferiore agli 8 anni devono essere tenuti a distanza, a meno che non siano costantemente sorvegliati.
3. Tenere l'elettrodomestico e il cavo di alimentazione fuori dalla portata dei bambini di età inferiore agli 8 anni.
4. Se il cavo di alimentazione è danneggiato, deve essere sostituito dal produttore, dal suo tecnico di assistenza o da personale qualificato per evitare rischi.
5. ATTENZIONE: Assicurarsi che l'elettrodomestico sia spento prima di sostituire la lampadina per evitare il rischio di scosse elettriche.

6. **ATTENZIONE:** È pericoloso per tutti coloro che non sono competenti eseguire operazioni di manutenzione o riparazione che comportino la rimozione di una copertura di protezione contro l'esposizione all'energia delle microonde.
7. **ATTENZIONE:** I liquidi e gli altri alimenti non devono essere riscaldati in contenitori sigillati in quanto sussiste il rischio di esplosione.
8. Quando si riscaldano alimenti in contenitori di plastica o di carta, controllare il forno per evitare la possibilità di incendio.
9. Utilizzare solo utensili adatti all'uso in forni a microonde.
10. In caso di emissione di fumo, spegnere o scollegare l'elettrodomestico e tenere chiusa la porta per soffocare eventuali fiamme.
11. Il riscaldamento a microonde delle bevande può provocare un'ebollizione eruttiva ritardata, pertanto è necessario prestare attenzione durante la manipolazione del contenitore.
12. Il contenuto dei biberon e degli omogeneizzati deve essere mescolato o agitato e la temperatura deve essere controllata prima del consumo, al fine di evitare ustioni.
13. Le uova in guscio e le uova sode intere non devono essere riscaldate nei forni a microonde, poiché possono esplodere, anche a fine riscaldamento.
14. Pulire regolarmente il forno e rimuovere eventuali depositi di cibo.
15. La mancata manutenzione del forno in condizioni di pulizia può portare a un deterioramento della superficie che potrebbe compromettere la vita dell'elettrodomestico e causare una situazione di pericolo.

16. L'apparecchio non deve essere installato dietro una porta decorativa per evitare il surriscaldamento. (Ciò non vale per gli apparecchi con porta decorativa.)
17. Utilizzare solo la sonda di temperatura raccomandata per questo forno (per i forni dotati di un dispositivo che consente di utilizzare una sonda di rilevamento della temperatura).
18. Il forno a microonde non deve essere collocato in un mobile a meno che non sia stato testato a tale scopo.
19. Il forno a microonde deve funzionare con lo sportello decorativo aperto (per i forni con sportello decorativo).
20. Questo elettrodomestico è destinato all'uso in applicazioni domestiche e simili, come ad esempio:
 - aree di cucina per il personale in negozi, uffici e altri ambienti di lavoro;
 - da clienti in alberghi, motel e altri ambienti di tipo residenziale;
 - case coloniche;
 - ambienti di tipo bed and breakfast.
21. Il forno a microonde è destinato al riscaldamento di cibi e bevande. L'essiccazione di alimenti o l'asciugatura di indumenti e il riscaldamento di cuscinetti termici, pantofole, spugne, panni umidi e simili possono causare rischi di lesioni, esplosione o incendio.
22. Non è consentito l'uso di contenitori metallici per cibi e bevande durante la cottura a microonde.
23. Non pulire l'elettrodomestico con un pulitore a vapore.
24. L'apparecchio è destinato all'uso indipendente.
25. La superficie posteriore dell'apparecchio deve essere addossata a una parete.

LEGGERE ATTENTAMENTE E CONSERVARE PER RIFERIMENTO FUTURO

RIDURRE IL RISCHIO DI LESIONI ALLE PERSONE

INSTALLAZIONE DI MESSA A TERRA

▲ PERICOLO

Rischio di scossa elettrica

Il contatto con alcuni componenti interni può causare gravi lesioni personali o morte, pertanto non smontare l'elettrodomestico.

▲ ATTENZIONE

Rischio di scossa elettrica

- Un uso improprio della messa a terra può causare scosse elettriche.
 - Non inserire la spina in una presa di corrente finché l'elettrodomestico non è correttamente installato e messo a terra.
 - Questo prodotto deve essere messo a terra. In caso di cortocircuito elettrico, la messa a terra riduce il rischio di scosse elettriche fornendo un conduttore di dispersione della corrente elettrica.
 - Questo elettrodomestico è dotato di un cavo con filo e spina di messa a terra. La spina deve essere inserita in una presa correttamente installata e messa a terra.
 - Consultare un elettricista o un tecnico qualificato se le istruzioni di messa a terra non sono pienamente chiare o se sussistono dubbi sulla corretta messa a terra del prodotto.
 - Se è necessario utilizzare una prolunga, utilizzare solo una a 3 fili.
1. Viene fornito un cavo di alimentazione corto per ridurre i rischi derivanti dall'impigliarsi o inciampare su un cavo più lungo.
 2. In caso di utilizzo di un gruppo di cavi lunghi o di prolunga:
 - 1) La potenza elettrica del gruppo di cavi o della prolunga deve essere almeno pari a quella dell'elettrodomestico.
 - 2) La prolunga deve essere un cavo di messa a terra a 3 fili.
 - 3) Il cavo lungo deve essere disposto in modo tale da non coprire il piano di lavoro o il piano del tavolo in modo che non possa essere tirato dai bambini o provocare involontariamente inciampi.

Assicurarsi di scollegare il prodotto dalla rete elettrica.

1. Pulire la cavità del forno dopo l'uso con un panno leggermente umido.
2. Pulire gli accessori come al solito con acqua saponata.
3. Il telaio della porta, la guarnizione e le parti adiacenti devono essere puliti accuratamente con un panno umido quando sono sporchi.
4. Non utilizzare detergenti abrasivi aggressivi o raschietti metallici taglienti per pulire il vetro dello sportello del forno, in quanto possono graffiare la superficie e causare la rottura del vetro.
5. **Suggerimento** per una più facile pulizia delle pareti delle cavità a contatto con il cibo cotto: mettere mezzo limone in una ciotola, aggiungere 300 ml (1/2 pinta) di acqua e riscaldare al 100% di potenza del microonde per 10 minuti. Pulire il forno con un panno morbido e asciutto.

▲ ATTENZIONE**Pericolo di lesioni personali**

È pericoloso per tutti coloro che non siano persone competenti eseguire qualsiasi operazione di manutenzione o riparazione che comporti la rimozione di una copertura di protezione contro l'esposizione all'energia delle microonde.

Vedere le istruzioni su "Materiali che possono essere utilizzati o meno nel forno a microonde".

Possono esserci alcuni utensili non metallici che non sono sicuri da usare per il microonde. In caso di dubbio, è possibile testare l'utensile in questione seguendo la seguente procedura.

Test dell'utensile:

1. Riempire un contenitore adatto alle microonde con 1 tazza di acqua fredda (250 ml) insieme all'utensile in questione.
2. Cuocere alla massima potenza per 1 minuto.
3. Toccare attentamente l'utensile. Se l'utensile vuoto è caldo, non utilizzarlo per cucinare a microonde.
4. Non superare il tempo di cottura di 1 minuto.

Materiali utilizzabili nel forno a microonde

Utensili	Osservazioni
Piatto per rosolatura	Seguire le istruzioni del produttore. Il fondo del piatto di rosolatura deve essere posizionato almeno 5 mm (3/16") al di sopra del piatto girevole. Un uso improprio può causare la rottura del piatto girevole.
Stoviglie	Utilizzare solo stoviglie adatte per microonde. Seguire le istruzioni del produttore. Non utilizzare stoviglie crepate o scheggiate.
Vasetti in vetro	Rimuovere sempre il coperchio. Utilizzare solo per riscaldare gli alimenti fino a quando non sono appena caldi. La maggior parte dei vasetti di vetro non sono resistenti al calore e possono rompersi.
Oggetti in vetro	Utilizzare solo oggetti in vetro da forno resistenti al calore. Accertarsi che non vi sia alcuna rifinitura metallica. Non utilizzare recipienti crepati o scheggiate.
Sacchetti per cottura da forno	Seguire le istruzioni del produttore. Non chiudere con la fascetta con anima in metallo. Praticare delle aperture per permettere la fuoriuscita del vapore.
Piatti e bicchieri di carta	Utilizzare solo per cucinare/riscaldare a breve termine. Non lasciare il forno incustodito durante la cottura.
Tovaglioli di carta	Utilizzare per coprire gli alimenti per il riscaldamento e l'assorbimento del grasso. Utilizzare sotto supervisione solo per una cottura di breve durata.
Carta da forno	Utilizzare come copertura per evitare schizzi o come involucro per la cottura a vapore.
Plastica	Utilizzare solo elementi adatti alle microonde. Seguire le istruzioni del produttore. Dovrebbe recare la dicitura "Microwave Safe". Alcuni contenitori di plastica diventano più morbidi, man mano che il cibo all'interno si scalda. I sacchetti di plastica per ebollizione e i sacchetti di plastica chiusi ermeticamente devono essere tagliati, forati o ventilati come indicato dalla confezione.
Pellicola di plastica	Utilizzare solo elementi adatti alle microonde. Utilizzare per coprire i cibi durante la cottura per trattenere l'umidità. Non lasciare che l'involucro di plastica entri in contatto con i cibi.
Termometri	Utilizzare solo elementi adatti alle microonde (termometri per carne e dolci).
Carta oleata	Utilizzare come copertura per evitare schizzi e trattenere l'umidità.

Materiali da evitare nel forno a microonde

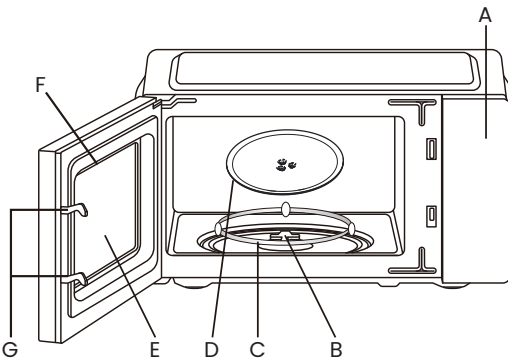
Utensili	Osservazioni
Vaschetta in alluminio	Può causare archi elettrici. Trasferire il cibo in un piatto per microonde.
Cartone per alimenti con manico in metallo	Può causare archi elettrici. Trasferire il cibo in un piatto per microonde.
Utensili in metallo o rifiniti in metallo	Il metallo isola il cibo dall'energia delle microonde. Le finiture metalliche possono causare archi elettrici.
Fascette con anima in metallo	Può provocare archi elettrici e incendi nel forno.
Sacchetti di carta	Può provocare un incendio nel forno
Schiuma di plastica	La schiuma di plastica può sciogliersi o contaminare il liquido all'interno se esposta ad alte temperature.
Legno	Il legno si asciuga quando viene utilizzato nel forno a microonde e può spaccarsi o rompersi.

▲ Nomi di parti del forno e accessori

In caso di differenze tra l'apparecchio e le immagini del presente manuale, prevale il prodotto.

Rimuovere il forno e tutti i materiali dal cartone e dalla cavità del forno. Il forno viene fornito con i seguenti accessori:

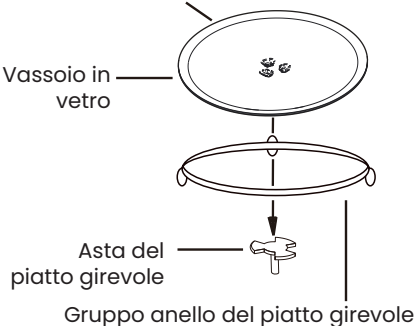
Vassoio in vetro	1
Gruppo anello del piatto girevole	1
Manuale di istruzioni	1



- A) Pannello di controllo
- B) Asta del piatto girevole
- C) Gruppo anello del piatto girevole
- D) Vassoio in vetro
- E) Finestra di osservazione
- F) Gruppo porta
- G) Sistema di interblocco di

▲ Installazione del piatto girevole

Cavità (lato inferiore)



- a. Non posizionare mai il vassoio di vetro capovolto. Il vassoio di vetro non deve mai essere bloccato.
- b. Durante la cottura utilizzare sempre sia il vassoio di vetro che l'anello del piatto girevole.
- c. Tutti i cibi e i contenitori di cibo sono sempre posizionati sul vassoio di vetro per la cottura.
- d. In caso di crepe o rotture del vassoio di vetro o del gruppo anello del piatto girevole, contattare il centro di assistenza autorizzato più vicino.

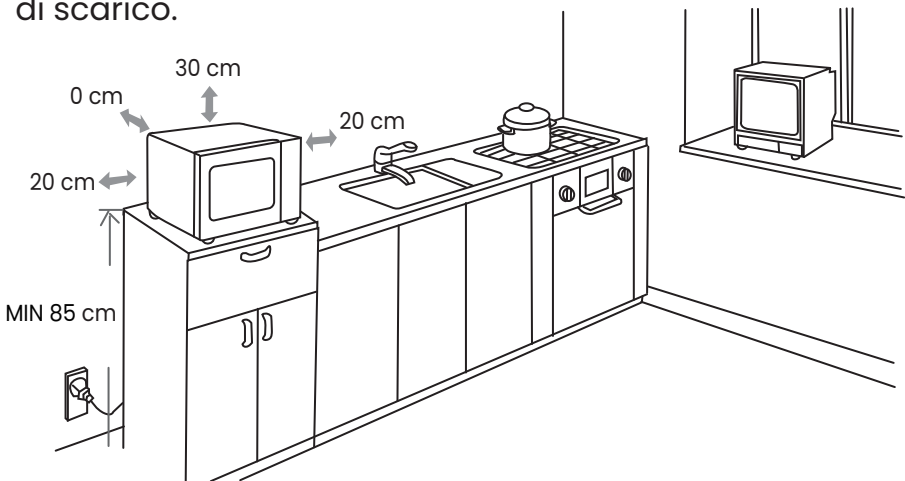
▲ INSTALLAZIONE SUL PIANO DI LAVORO

Rimuovere tutto il materiale di imballaggio e gli accessori. Esaminare il forno per verificare la presenza di eventuali danni, quali ammaccature o rottura dello sportello. Non installare se il forno è danneggiato.

Mobile:

Rimuovere eventuali pellicole protettive presenti sulla superficie del mobile del forno a microonde. Non rimuovere il coperchio della guida per microonde fissato alla cavità del forno per proteggere il magnetron.

1. Scegliere una superficie piana che offra uno spazio aperto sufficiente per le bocchette di aspirazione e/o di scarico.



- 1) L'altezza minima di installazione è di 85 cm.
- 2) La superficie posteriore dell'apparecchio deve essere appoggiata a una parete. Lasciare uno spazio minimo di 30 cm sopra il forno. È necessaria una distanza minima di 20 cm tra il forno e le pareti adiacenti.
- 3) Non rimuovere i piedini dal fondo del forno.

- 4) L'ostruzione delle aperture di aspirazione e/o di scarico può danneggiare il forno.
 - 5) Posizionare il forno il più lontano possibile da radio e TV.
Il funzionamento del forno a microonde può causare interferenze nella ricezione radio o televisiva.
2. Collegare il forno a una presa di corrente standard.
Assicurarsi che il voltaggio e la frequenza corrispondano a quelli indicati sull'etichetta.

▲ **AVVERTENZA**

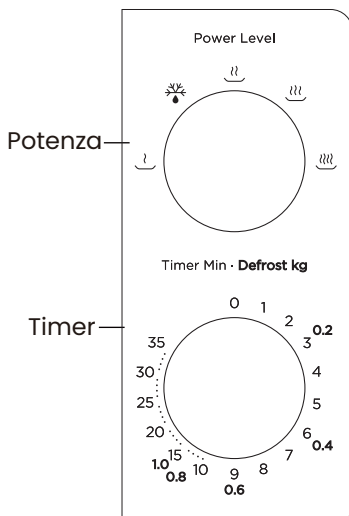
Non installare il forno sopra un piano di cottura o altri apparecchi che producono calore. Se installato vicino o sopra una fonte di calore, sussiste il rischio di danneggiare il forno e di invalidare la garanzia.



La superficie accessibile può riscaldarsi durante il funzionamento.

Pannello di controllo e funzioni

Istruzioni per l'uso



1. Impostare la potenza di cottura ruotando la manopola di potenza al livello desiderato.
2. Impostare il tempo di cottura ruotando la manopola del timer sul tempo desiderato in base alla guida alla cottura dei cibi.
3. Il forno a microonde avvia automaticamente la cottura dopo aver impostato il livello di potenza e il tempo.
4. Al termine del tempo di cottura, l'apparecchio si arresta con un "Dong".
5. Se l'apparecchio non viene utilizzato, impostare sempre il tempo su "0".

Funzione/Potenza	Rendimento	Applicazione
	17% micro.	Ammorbidire il gelato
	33% micro.	Zuppa stufata, ammorbidire il burro o scongelare
	55% micro.	Stufato, pesce
	77% micro.	Riso, pesce, pollo, carne macinata
	100% micro.	Riscaldare, latte, ebollizione dell'acqua, verdure, bevande

▲ NOTA

Quando si rimuove il cibo dal forno, assicurarsi che l'alimentazione del forno sia spenta portando l'interruttore del timer su 0 (zero). In caso contrario, il funzionamento del forno a microonde senza alimenti può provocare il surriscaldamento e il danneggiamento del magnetron.

Normale

Forno a microonde che interferisce con la ricezione TV	La ricezione radio e TV può essere disturbata durante il funzionamento del forno a microonde. È simile all'interferenza causata da piccoli apparecchi elettrici, come mixer, aspirapolvere e ventilatore elettrico. Si tratta di una situazione normale.
Luce del forno scarsa	Nella cottura a microonde a bassa potenza, la luce del forno può diventare scarsa. Si tratta di una situazione normale.
Vapore che si accumula sulla porta, aria calda dalle bocchette di ventilazione	Durante la cottura, il vapore può fuoriuscire dai cibi. La maggior parte esce dalle bocchette di ventilazione. Ma alcuni possono accumularsi in un luogo fresco come lo sportello del forno. Si tratta di una situazione normale.
Il forno si è avviato accidentalmente senza cibo presente all'interno.	È vietato azionare l'unità senza cibo all'interno, in quanto può essere pericoloso.

Problema	Possibile causa	Soluzione
Il forno non può essere azionato.	(1) Cavo di alimentazione non inserito saldamente.	Scollegare, quindi ricollegare dopo 10 secondi.
	(2) Fusibile bruciato o interruttore attivato	Sostituire il fusibile o ripristinare l'interruttore (riparato da personale specializzato della nostra azienda).
	(3) Problemi con la presa di corrente.	Prova di prova con altri apparecchi elettrici.
Il forno non riscalda.	(4) La porta non si chiude correttamente.	Chiudere bene la porta.



Secondo la direttiva sui rifiuti di apparecchiature elettriche ed elettroniche (RAEE), i rifiuti RAEE devono essere raccolti e trattati separatamente. Se in futuro sarà necessario smaltire questo prodotto, si prega di NON smaltirlo insieme ai rifiuti domestici. Inviare il prodotto ai punti di raccolta RAEE, se disponibili.

comfee'
... is how i feel!



Comfee'

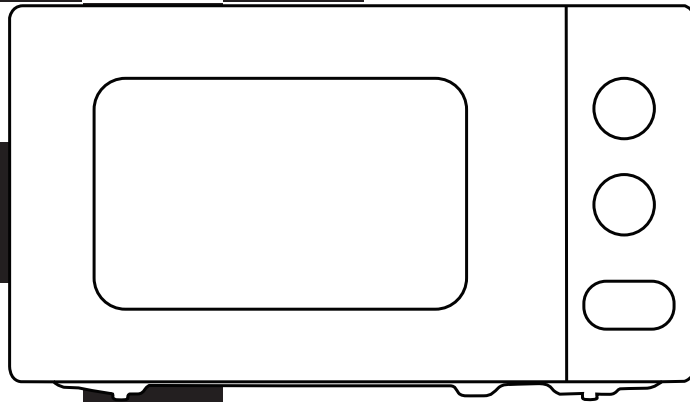
Horno microondas

Manual de instrucciones

CM-M202CC(GR)

CM-M202CC(WH)

CM-M202CC(BK)



GUARDE ESTAS INSTRUCCIONES

Lea atentamente estas instrucciones antes de utilizar el horno de microondas y guárdelas cuidadosamente. Si sigue las instrucciones, su horno le proporcionará un buen servicio durante muchos años.

01

EXPOSICIÓN EXCESIVA A ENERGÍA DE MICROONDAS

- (a) No intente hacer funcionar este horno microondas con la puerta abierta ya que podría suponer una exposición perjudicial a la energía de microondas. Es importante no forzar los cierres de seguridad.
- (b) No coloque ningún objeto entre la parte frontal del horno y la puerta, y evite que se acumule suciedad o restos de detergentes limpiadores en las superficies de sellado.
- (c) ADVERTENCIA: Si la puerta o juntas de la puerta están dañadas, el horno no debe utilizarse hasta que haya sido reparado por una persona competente.

ADDENDUM

Si el aparato no se mantiene en un buen estado de limpieza, su superficie se podría degradar y afectar a la vida útil del aparato, dando lugar a una situación peligrosa.

ESPECIFICACIONES

Modelo:	CM-M202CC(GR)/CM-M202CC(WH)/CM-M202CC(BK)
Tensión nominal:	230-240V- 50Hz
Potencia de entrada (microondas):	1100-1150 W
Potencia de salida (microondas):	650-700 W

▲ ADVERTENCIAS

Para reducir el riesgo de quemaduras, electrocución, incendio, lesiones o exposición excesiva a la energía del horno microondas al usar el electrodoméstico, siga las precauciones básicas de seguridad, incluidas las siguientes:

1. Lea y siga las instrucciones específicas: "PRECAUCIONES PARA EVITAR UNA POSIBLE EXPOSICIÓN EXCESIVA A ENERGÍA DE MICROONDAS".
2. Este aparato no está diseñado para ser utilizado por personas (incluidos niños) con capacidades físicas, sensoriales o mentales reducidas, o con falta de experiencia y conocimiento, a menos que sean supervisados o instruidos acerca del uso del aparato por una persona responsable de su seguridad.
3. Se debe vigilar a los niños para asegurarse de que no jueguen con el aparato.
4. Si el cable de alimentación está dañado, debe ser reemplazado por el fabricante, su servicio técnico o una persona cualificada para evitar peligro.
5. ADVERTENCIA: Asegúrese de que el aparato esté apagado antes de sustituir la bombilla de luz para evitar la posibilidad de electrocución.
6. Aviso: Es peligroso para cualquier persona que no sea una persona competente llevar a cabo cualquier servicio o reparación que consista en la extracción de una cubierta que impida la exposición a la energía de microondas.

7. Aviso: Los líquidos u otros alimentos no deben calentarse en recipientes cerrados ya que podrían explotar.
8. Cuando caliente alimentos en recipientes de plástico o de papel, vigile el horno debido a la posibilidad de ignición.
9. Sólo use utensilios adecuados para su uso en hornos microondas.
10. Si emite humo, apague o desenchufe el aparato y mantenga la puerta cerrada para sofocar las llamas.
11. El calentamiento por microondas de bebidas puede resultar en retraso en ebullición eruptiva; por lo tanto se debe tener cuidado al manipular el recipiente.
12. El contenido de los biberones y potitos se debe remover o agitar y revisar la temperatura antes de su consumo, para evitar quemaduras.
13. Los huevos con cáscara y huevos duros enteros no deben ser calentados en hornos microondas ya que podrían explotar, incluso después de que el calentamiento por microondas haya terminado.
14. El horno se debe limpiar con regularidad y los depósitos de alimentos deben ser eliminados.
15. Si no mantiene el horno en condiciones limpias podría dar lugar a un deterioro de la superficie que podría afectar negativamente a la vida del aparato y provocar una situación peligrosa.
16. El aparato no debe instalarse detrás de una puerta decorativa con el fin de evitar sobrecalentamientos. (Esto no se aplica a los aparatos con puerta decorativa).
17. Utilice únicamente la sonda de temperatura recomendada para este horno (hornos con posibilidad de utilizar una sonda de temperatura).

18. El horno de microondas no debe colocarse en un gabinete a menos que haya sido probado en el mismo.
19. El horno de microondas deberá funcionar con la puerta decorativa abierta. (para hornos con puerta decorativa).
20. Este aparato está destinado a ser utilizado en hogares y aplicaciones similares, tales como:
 - relacionadas con el personal de las áreas de cocina en tiendas, oficinas y otros ambientes de trabajo;
 - por clientes en hoteles, moteles y otros entornos de tipo residencial;
 - casas de campo;
 - entornos de tipo alojamiento y desayuno.
21. El horno de microondas está diseñado para calentar alimentos y bebidas. El secado de alimentos o ropa y el calentamiento de almohadillas térmicas, zapatillas, esponjas, paños húmedos y similares pueden provocar riesgo de lesiones, inflamación o incendio.
22. Los recipientes metálicos para alimentos y bebidas no están permitidos durante la cocción con microondas.
23. El aparato no debe limpiarse con un limpiador de vapor.
24. El aparato está diseñado para ser utilizado de forma independiente.
25. La parte trasera del aparato debe colocarse contra la pared.

**LEA ATENTAMENTE Y
CONSERVE PARA FUTURAS
CONSULTAS**

REDUCIR EL RIESGO DE LESIONES A PERSONAS

INSTRUCCIONES DE CONEXIÓN A TIERRA

▲ PELIGRO

Riesgo de choque eléctrico

Tocar alguno de los componentes internos puede provocar graves lesiones personales o incluso la muerte. No desarme este aparato.

▲ ADVERTENCIA

Riesgo de choque eléctrico

- El uso inadecuado de la conexión a tierra puede ocasionar un choque eléctrico.
 - No conecte el dispositivo en un tomacorriente hasta que el primero haya sido correctamente instalado y conectado a tierra.
 - Este horno debe tener una conexión a tierra. En caso de corto circuito, este tipo de conexión reduce el riesgo de descargas eléctricas al proporcionar un cable de escape para la corriente eléctrica.
 - Este dispositivo está equipado con un cable que cuenta con un enchufe de conexión a tierra. El enchufe debe ser conectado a un tomacorriente correctamente instalado y conectado a tierra.
 - Consulte con un eléctrico o con personal de servicio técnico calificado si no comprende completamente las instrucciones de conexión a tierra o si tiene dudas sobre si el microondas está conectado a tierra de forma adecuada.
 - Si es necesario utilizar una extensión, sólo utilice una que cuente con 3 cables.
1. Puede utilizar cables más largos o extensiones si tiene cuidado a la hora de manejarlos.
 2. Si utiliza cables o extensiones más largos:
 - 1) La clasificación eléctrica marcada del cable o extensión debe ser tan alta como la del propio dispositivo.
 - 2) La extensión debe tener un cable de conexión a tierra tipo 3.
 - 3) El cable más largo debe ser ordenado de tal manera que no represente un peligro para los niños y para evitar que estos últimos lo tiren o se tropiecen de forma involuntaria.

Asegúrese de desenchufar el aparato de la red eléctrica.

1. Limpie la cavidad del horno después de usar con un paño ligeramente húmedo.
2. Limpie los accesorios de la manera habitual con agua y jabón.
3. El marco de la puerta y el sello y partes vecinas deben limpiarse cuidadosamente con un paño húmedo cuando estén sucias.
4. No use limpiadores abrasivos ni rascadores metálicos afilados para limpiar el cristal de la puerta del horno, ya que pueden rayar la superficie, lo que puede provocar la rotura del vidrio.
5. **Sugerencia de limpieza** --- Para facilitar la limpieza de las paredes internas que la comida cocinada puede tocar: coloque la mitad de un limón en un bol, añada 300 ml (1/2 pinta) de agua y caliente al 100 % de potencia en el microondas durante 10 minutos. Limpie el horno con un paño suave y seco.

▲ PRECAUCIÓN**Peligro de lesiones personales**

Los utensilios herméticamente cerrados podrían estallar. Los contenedores cerrados deben ser abiertos y las bolsas de plástico deben ser agujereadas antes de cocinar.

Consulte las instrucciones en "Materiales que puede utilizar en el horno microondas o para evitar en el horno de microondas". Podrían existir ciertos utensilios no metálicos que podrían no ser seguros de usar en un horno de microondas. Si tiene dudas, puede revisar los utensilios en cuestión siguiendo el procedimiento que le presentamos a continuación:

Revisión de utensilios:

1. Llene un contenedor microondeable con una taza de agua (250ml) fría junto con el utensilio que desee probar.
2. Cocine a máxima potencia durante un minuto.
3. Con cuidado toque el utensilio. Si el utensilio está caliente, entonces no lo utilice en el microondas.
4. No exceda el tiempo de 1 minuto.

Materiales que se pueden utilizar en el horno de microondas

Utensilios	Observaciones
Plato para dorar	Siga las recomendaciones del fabricante. El fondo del plato para dorar debe estar al menos 3/16 pulgadas (5mm) por sobre del plato giratorio. Su uso incorrecto podría provocar que el plato se quiebre.
Vajilla	Utilice sólo vajilla microondeable. Siga las recomendaciones del fabricante. No use platos agrietados o astillados.
Recipiente de vidrio	Siempre retire la tapa. Sólo utilícelos para calentar comida. La mayoría de los recipientes de vidrio no son resistentes al calor y podrían quebrarse.
Cristalería	Utilice sólo cristalería resistente al calor. Asegúrese de que no tengan bordes metálicos. No use platos agrietados o astillados.
Bolsas para hornear	Siga las recomendaciones del fabricante. No cierre las bolsas usando ataduras de metal. Realice agujeros para permitir que escape el vapor.
Platos y vasos de papel	Sólo utilícelos para periodos de cocción cortos. No deje el horno sin vigilancia cuando cocine con estos utensilios.
Toallas de papel	Utilícelas para cubrir la comida cuando la recaliente y para absorber la grasa. Utilícelas bajo supervisión y durante periodos de cocción breves.
Papel manteca	Utilícelo como cubierta para evitar salpicones o como envoltura para el vapor.
Plástico	Utilice sólo productos microondeables. Siga las recomendaciones del fabricante. Debe tener una marca que señale que el producto es "Microondeable". Algunos contenedores de plástico se ablandan, pues la comida en su interior se calienta. Las "bolsas de cocción" y las bolsas de plásticos selladas deben ser agujereadas tal y como señalan sus instrucciones.
Envoltura plástica	Utilice sólo productos microondeables. Utilícelo para cubrir la comida y retener la humedad. No permita que las envolturas de plástico toquen la comida.
Termómetros	Utilice sólo utensilios microondeables (termómetros de carne y dulce).
Papel encerado	Utilícelo como cubierta para evitar salpicaduras y retener humedad.

Materiales que deben evitarse en el horno de microondas

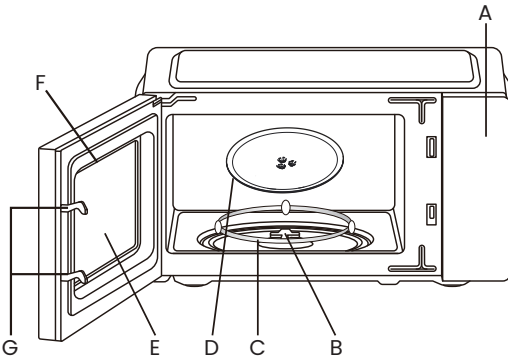
Utensilios	Observaciones
Bandeja de aluminio	Podría provocar un arco eléctrico. Transfiera la comida a un plato microondeable.
Comida envuelta con manijas de metal	Podría provocar un arco eléctrico. Transfiera la comida a un plato microondeable.
Utensilios de metal o con decoraciones metálicas	El metal blindo la comida de la energía de microondas. Las decoraciones de metal podrían producir arcos eléctricos.
Ataduras de metal	Podrían causar arcos eléctricos y provocar incendios en el horno.
Bolsas de papel	Podrían provocar incendio en el horno.
Porexpan	El porexpán podría derretirse y contaminar la comida cuando se expone altas temperaturas.
Madera	La madera podría secarse cuando la utilice en el horno de microondas y podría partirse o agrietarse.

▲ Nombres de las partes del horno y accesorios

En caso de cualquier diferencia entre el aparato y las imágenes de este manual, prevalecerá el producto.

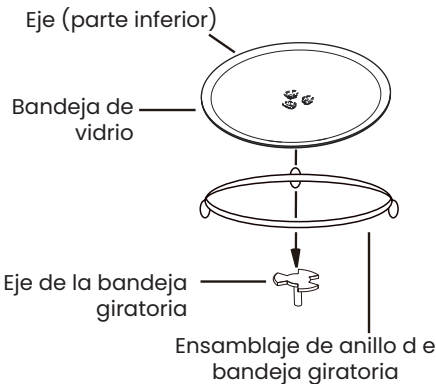
Retire el horno y todos los materiales de la caja de cartón y de la cavidad del horno. Su horno posee los siguientes accesorios:

Bandeja de vidrio	1
Ensamblaje de anillo de bandeja giratoria	1
Manual de instrucciones	1



- A) Panel de control
- B) Eje de la bandeja giratoria
- C) Ensamblaje de anillo de bandeja giratoria
- D) Bandeja de vidrio
- E) Ventana de observación
- F) Ensamblado de puerta
- G) Seguros de la puerta

▲ Instalación de la bandeja giratoria



- a. Nunca coloque la bandeja de vidrio al revés. La bandeja de vidrio nunca debe tener restricciones que la imposibiliten de girar.
- b. Tanto la bandeja de vidrio como el ensamblaje del anillo de la misma deben usarse a la hora de cocinar.
- c. Toda la comida y los contenedores de comida deben colocarse sobre la bandeja de vidrio para cocinar o calentar.
- d. Si la bandeja de vidrio o el ensamblaje del anillo de la misma se triza o rompe, contacte al centro de servicio técnico autorizado más cercano.

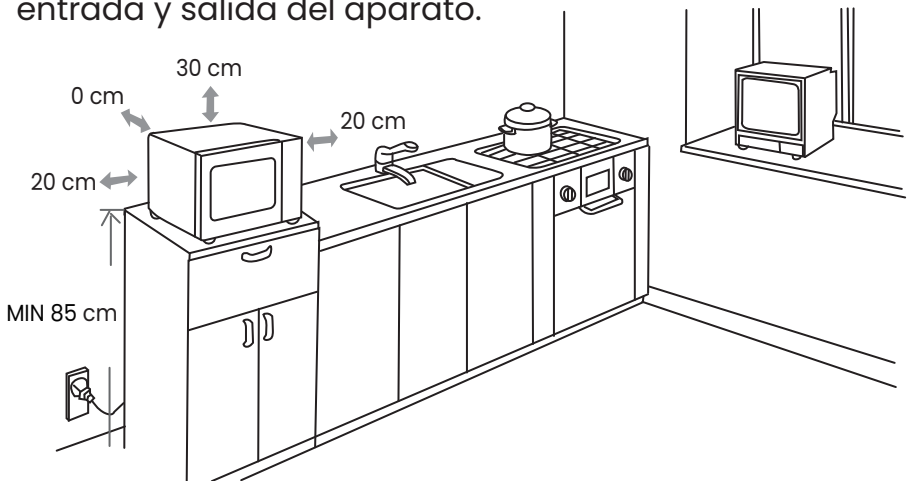
▲ INSTALACIÓN EN UNA ENCIMERA

Retire todos los materiales de empaque y los accesorios. Examine el horno en busca de daños como abolladuras o puerta rota. No instale si el horno se encuentra dañado.

Gabinete:

Retire cualquier película protectora que se encuentre en la superficie de la carcasa del microondas. No retire la cubierta marrón claro que está adherida a la cavidad del horno para proteger el magnetrón.

1. Seleccione una superficie nivelada que proporcione espacio suficiente para las ranuras de ventilación de entrada y salida del aparato.



- (1) La altura mínima de instalación es de 85 cm.
- (2) La parte trasera del aparato debe colocarse contra una pared. Deje un espacio libre mínimo de 30cm por encima del horno, se requiere un espacio libre mínimo de 20cm entre el horno y cualquier pared adyacente.
- (3) No retire las patas de la parte inferior del horno.

- (4) El bloqueo de las aberturas de entrada y/o salida puede dañar el horno.
 - (5) Coloque el horno lo más lejos posible de radios y TV. El funcionamiento del horno microondas puede causar interferencias en la recepción de su radio o TV.
2. Conecte su horno en un tomacorriente casero estándar. Asegúrese de que el voltaje y la frecuencia sean las mismas que aparecen en la etiqueta de clasificación del horno.

▲ **ADVERTENCIA**

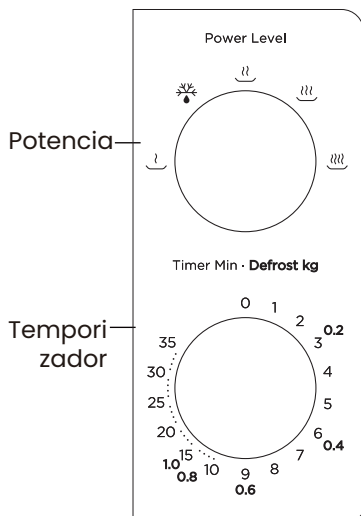
No coloque el horno sobre una estufa o parrillas u otros aparatos productores de calor. Si instala el horno cerca o sobre una fuente de calor, podría dañarlo y la garantía quedaría inválida.



Las superficies accesibles pueden calentarse durante el funcionamiento.

Panel de control y funciones

Instrucciones de uso



1. Configure la potencia de cocción girando la perilla de encendido al nivel deseado.
2. Configure el tiempo de cocción girando la perilla del temporizador al tiempo deseado de acuerdo con la guía de cocción de alimentos.
3. El horno microondas comienza a cocinar automáticamente después de configurar el nivel de potencia y el tiempo.
4. Al final del tiempo de cocción, el aparato se detiene con un "Dong".
5. Si el aparato no está en uso, ajuste siempre el tiempo a "0".

Función/Potencia	Salida	Aplicación
	17% micro.	Ablandar el helado
	33% micro.	Sopa guisada, ablandar la mantequilla o descongelar
	55% micro.	Guiso, pescado
	77% micro.	Arroz, pescado, pollo, carne molida
	100% micro.	Recalentar, leche, hervir agua, verduras, bebidas.

▲ NOTA

Al retirar alimentos del horno, asegúrese de que el horno esté apagado girando el interruptor del temporizador a 0 (cero). De no hacerlo y operar el horno microondas sin comida dentro, se puede producir un sobrecalentamiento y daños al magnetrón.

Normal

El horno de microondas provoca interferencia con la recepción de la TV

La recepción de radio y televisión podría ser interferida por el funcionamiento del horno microondas. Esta interferencia es similar a aquella que producen pequeños electrodomésticos como batidoras, aspiradoras y ventiladores eléctricos. Esto es normal.

Luz del horno con baja intensidad

Cuando cocine con baja potencia la luz del horno podría perder intensidad. Esto es normal.

Se acumula vapor en la puerta y sale aire caliente por las ranuras de ventilación.

Cuando cocine la comida puede emitir vapor. La mayoría saldrá por las ranuras de ventilación. Pero se podría acumular en un lugar frío como la puerta del horno. Esto es normal.

El horno se inicia accidentalmente sin comida en el interior.

Está prohibido hacer funcionar esta unidad sin comida en su interior. Esto es peligroso.

Problema	Posible causa	Solución
El horno no puede iniciarse	(1) El cable de alimentación no está bien conectado.	Desconecte el cable. Reconéctelo después de 10 segundos.
	(2) Falla de los fusibles o del sistema del cortacircuitos.	Reemplace el fusible o haga que un profesional repare el cortacircuitos.
	(3) Problema con el tomacorriente.	Verifique el normal funcionamiento del tomacorriente con otros electrodomésticos.
El horno no calienta	(4) La puerta no cerró bien.	Cierre bien la puerta del horno.



De acuerdo con la Directiva de Residuos de Aparatos Eléctricos y Electrónicos (WEEE, por sus siglas en inglés), estos deben recolectarse y tratarse por separado. Si en el futuro, necesita desechar este producto, por favor NO se deshaga de él junto con los residuos del hogar, envíelo a alguno de los puntos de recolección dispuestos por la WEEE donde se encuentren disponibles.

comfee'
... is how i feel!