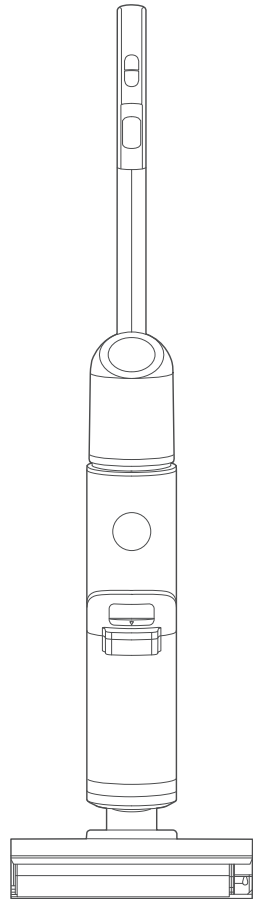


comfee

FLOOR CLEANER

Instruction Manual

CXC05APGY



Please read this manual carefully before operating your set and retain it for future reference

CONTENTS

CONTENTS -----	01
SAFETY INSTRUCTIONS -----	02
SPECIFICATIONS -----	06
PRODUCT OVERVIEW -----	07
PRODUCT INSTALLATION -----	09
OPERATION INSTRUCTIONS -----	11
CLEANING AND MAINTENANCE -----	13
TROUBLE SHOOTING -----	16

SAFETY INSTRUCTIONS

Intended Use

The following safety guidelines are intended to prevent unforeseen risks or damage from unsafe or incorrect operation of the appliance. Please check the packaging and appliance on arrival to make sure everything is intact to ensure safe operation. If you find any damage, please contact the retailer or dealer. Please note modifications or alterations to the appliance are not allowed for your safety concern. Unintended use may cause hazards and loss of warranty claims.

Explanation of symbols



Danger

This symbol indicates that there are dangers to the life and health of persons due to extremely flammable gas.



Warning of electrical voltage

This symbol indicates that there is a danger to life and health of persons due to voltage.



Warning

The signal word indicates a hazard with a medium level of risk which, if not avoided, may result in death or serious injury.



Caution

The signal word indicates a hazard with a low degree of risk which, if not avoided, may result in minor or moderate injury.



Attention

The signal word indicates important information (e.g. damage to property), but not danger.



Observe instructions

This symbol indicates that a service technician should only operate and maintain this appliance in accordance with the operating instructions.

Read these operating instructions carefully and attentively before using/commissioning the unit and keep them in the immediate vicinity of the installation site or unit for later use!

Important Safety Instructions

- This product is suitable for hard floors in the indoor environment, including waxed floors, stone floors, rubber floors, marble floors, granite floors, terrazzo floors, solid wood floors, composite floors, bamboo floors, as well as glazed tiles, ceramic facing tiles and other flat ground. It may not achieve the best results if the product is used on uneven ground surface.
 - Do not use this product near or on the surface of flammable and explosive objects, which may cause fire and explosion.
 - Do not use this product near a working fireplace or heater to prevent deformation of the machine casing.
 - Do not use it to clean high-temperature substances (unextinguished cigarette butts, matches or hot ash, etc.), ultra-fine substances (such as lime, cement, wood chips, gypsum powder, ashes, charcoal, etc.), dangerous substances (such as solvents, descaling agents, etc.), chemical substances (such as acidic substances, detergents, etc.) and other substances with uncertain physical properties.
 - Do not use this floor cleaner to absorb detergent, kerosene, gasoline, alcohol, paint or perfume, or else it may cause short-circuit, fire or explosion.
 - Do not use this floor cleaner to absorb toner used in laser printers and copiers, or else it may cause fire or explosion.
 - Do not use this floor cleaner to absorb sharp or large objects, such as glass shards, small toys, pins, paper clips, stones, plaster and large pieces of paper, or else it may block up and damage the machine.
 - Do not use this floor cleaner to absorb any burning or smoking objects, such as soot from the unextinguished heat source, burning cigarette butts or matches.
 - This product can't be used to clean stains of strong grease, strong viscosity, or strong dyeing properties such as shoe polish, paint, and pigments.
 - Do not touch the plug or any live part of the product with wet hands to avoid the risk of electric shock.
 - Stop using it if the plug is damaged. Please call our service personnel for replacement in order to avoid hazards.
 - Please keep the airflow channels and moving parts of this product away from long hair, loose clothing, fingers and other parts of the body. Do not point the suction tube, accessory tip or tool to the eyes or ears, or put them in the mouth.
 - Please use the cleaning agent produced by our company and the manufacturer approved by us.
 - Do not add other solutions to avoid generating toxic and harmful gases.
- If electric leakage, motor over-temperature, abnormal noise, peculiar smell or weak suction is found during use, stop using it immediately and call our service personnel.
- After using the machine, please clean the wastewater tank in time to avoid peculiar smell, and keep the ventilation path unobstructed, so as to avoid obstruction, or else it will cause the suction power to drop, the motor to heat up, and will affect the service life of the floor cleaner.
 - After using the machine, please store it in a dry place. A humid place will affect the insulation and service life of the appliance.
 - Do not soak or rinse the floor cleaner or floor brush in water.

Important Safety Instructions

- This appliance can be used by children aged from 8 years and above and persons with reduced physical, sensory or mental capabilities or lack of experience and knowledge if they have been given supervision or instruction concerning use of the appliance in a safe way and understand the hazards involved.
 - Cleaning and user maintenance shall not be made by children without supervision.
 - Children should not play with the appliance.
 - Please check the suction nozzle regularly. If there is a blockage, please clear it in time to avoid decrease in suction and affecting the performance of the machine.
- Turn off the power before replacing the brush.
- In the following situations, do not use the machine, contact to our customer service center for inspection and repair in time:
 1. Obvious damage or abnormal operation caused by drop;
 2. Power cord is damaged.
 - Do not disassemble the enclosed machine without permission. There are no user serviceable parts. Do not try to change the performance of the machine, or else it will cause danger.
 - Using a voltage that does not match the specifications will cause damage to the product and more likely to cause harm to the user. The correct rated voltage is marked on the nameplate.
 - When cleaning the stairs, be extra cautious to prevent falling.
 - Do not shake or impact the machine up and down to prevent wastewater from flowing into the motor.
 - When the motor is working, do not lift or carry the appliance up and down, and do not put the machine on its side to prevent the wastewater from entering the motor.
 - To prevent tip-over, place the machine against the wall after use.
 - Do not use the floor cleaner before the clean water tank and wastewater tank are installed properly.
 - Do not place any small objects in the outlet or block the outlet. Remove any small objects that may interfere with the flow of air through the outlet to prevent overheating of the machine.
 - Do not wet the machine body, or it may cause damage and fire due to short circuit.
 - This is only allow to use the docking station for charge the battery.
 - The plug must be removed from the socket-outlet before cleaning or maintaining the appliance.
 - All the technologies and other data in this manual are obtained by our company or the designated third party testing company, and we reserve the right of final interpretation.

Use and Precautions of Washer Detergent

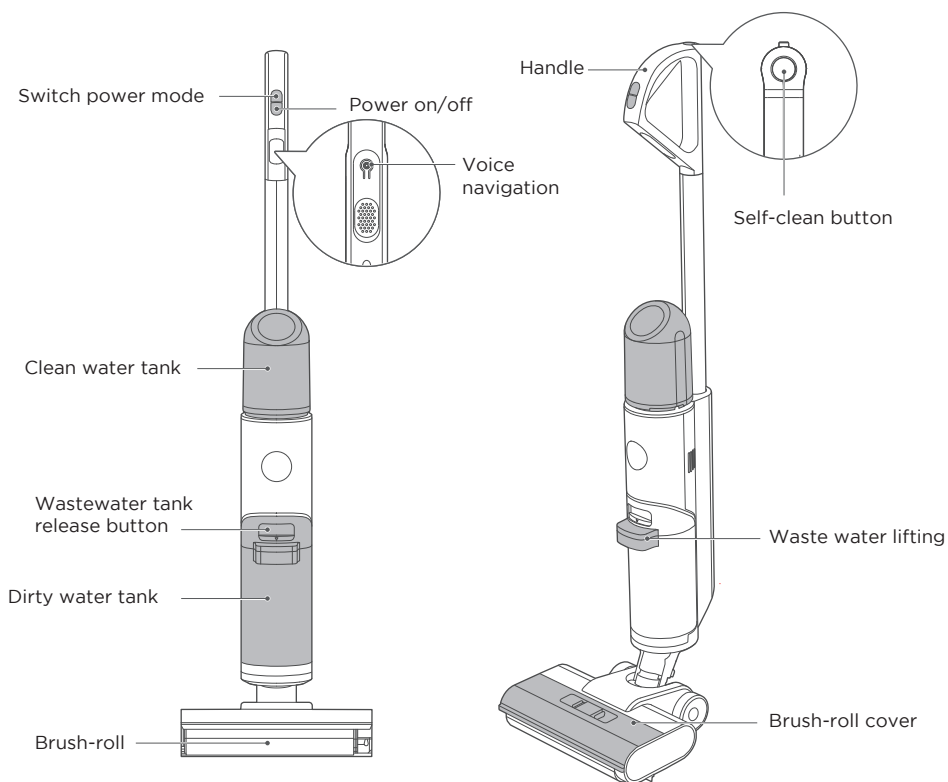
- Mix and clean according to instructions. It is recommended to use cleaning liquid produced by our company or manufacturers approved by our company, which do not contain acid, alkali solutions or substances harmful to the environment.
- If a large amount of cleaning liquid is added, more foam will be generated when used, which may infiltrate into the motor and cause danger.
- The cleaning liquid should be kept out of reach of children. If the cleaning liquid accidentally gets into eyes, rinse thoroughly with clean water; in case of accidental ingestion, seek medical treatment immediately. Follow local environmental protection regulations when handling wastewater and cleaning liquid.

SPECIFICATIONS

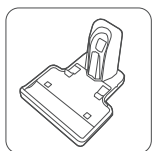
Product Model	CXC05APGY
Charging rated input	100-240V~50/60Hz
Charging output	27V \equiv 0.8A
Power	200W
Voltage	22.2V \equiv
Net Weight	3.7kg
Product Size	1120*270*282mm
Clean water tank volume	740mL
Dirty water tank MAX line volume	400mL

PRODUCT OVERVIEW

Product introduction



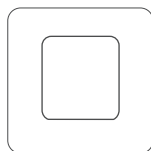
List of Accessories



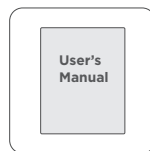
Docking station



Cleaning brush

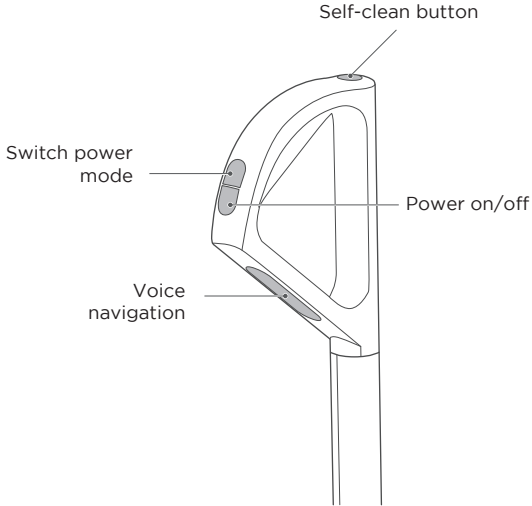


Filter



User's Manual

Parts



Auto mode

- the water from the machine wets the brush-roll to clean the floor;

Quick suction mode

- the machine stops discharging water, and sucks dry garbage or residual water;

Electrolyzed Water

- Cleaning and disinfecting agent obtained by means of electrolysis with a dilute sodium chloride solution and it is no harm to the human body and friendly to the human body and friendly to the environment.

PRODUCT INSTALLATION

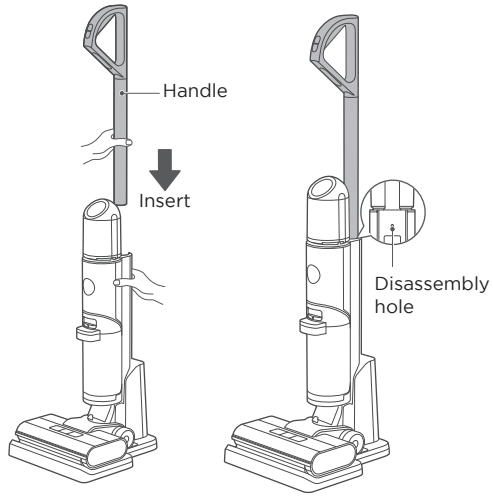
Handle Installation and Removal

Installation

Insert the end of the handle into the port of the main unit along the vertical direction until there is a click, which indicates the installation is successful;

Removal

Insert a screwdriver or other tools into the hole, and pull out the handle upward.



Charging Battery



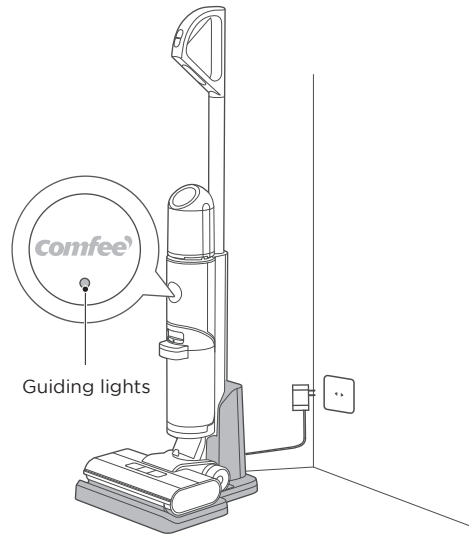
WARNING

- For the purposes of recharging the battery, only use the detachable supply unit provided with this appliance.



Attention

- Charge the product before the first use.
1. Insert the charging end of the charger into the rear port of the charging dock, and connect the plug to a 100V-240V power
 2. Put the machine upright into the charging base, and make sure that the bottom of the body completely falls into the charging base. At this moment, a voice will prompt "start charging", and the indicator light flashes.
 3. It takes about 3-4 hours to fully charge the machine. When the battery is fully charged, the indicator will turn off and the machine will automatically power off.





Attention

- Voice cannot be triggered when turned off

4. When the machine is first turned on, the voice function is enabled by default. While in the on or pause state, you can press the voice button to turn off the voice function. Pressing the same button again will re-enable the voice function.

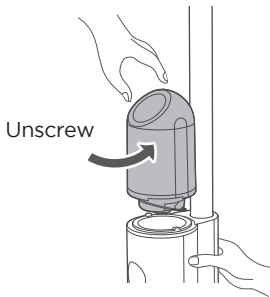
Filling Clean Water Tank



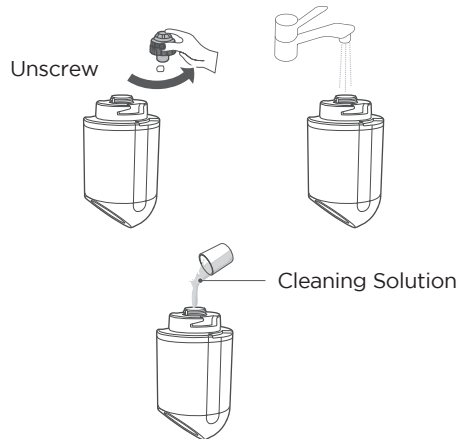
Attention

- Fill water only to the clean water tank.

1. Hold the machine with one hand, grab the water tank with the other hand, rotate and remove the water tank;



2. Unscrew the water tank cover, pour tap water into the water tank, and add an appropriate amount of cleaning solution if desired;

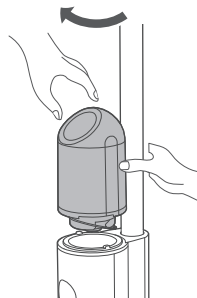


3. Screw the water tank back into place on the machine, and when you hear a click sound, it means the installation is successful.

Screw back into



Screw back into

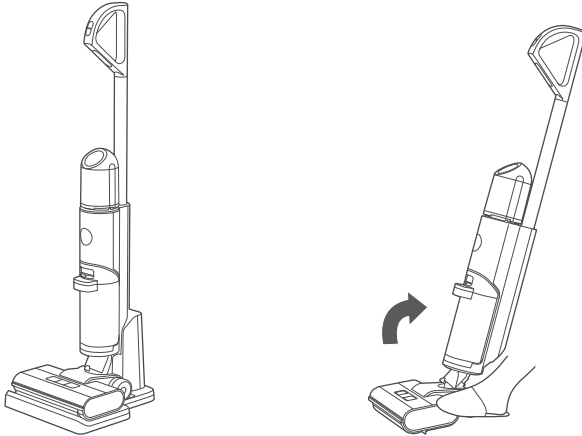


OPERATION INSTRUCTIONS

Turning On and Cleaning

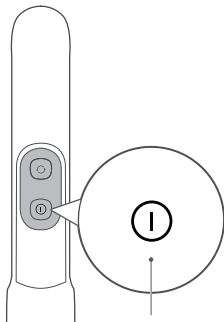
Step 1

Step on the floor brush and pull the handle diagonally until you hear a click. The machine is now in standby mode.



Step 2

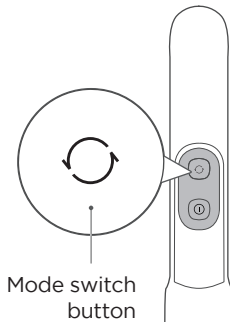
To start working, press the power button. Press this button again to stop the machine.



Power button

Step 3

The machine defaults to automatic mode when it starts. To switch to the sterilization mode, press the mode switch button. Press this button again to switch to the suction mode.



Mode switch button

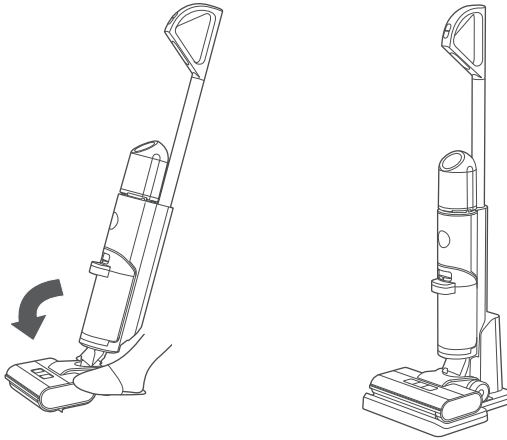


Attention

- After using the machine, it is recommended to place it vertically on the specially designed charging base.

Upright Pause Function

In working state, you can step on the floor brush to erect the body, the machine will stop working and enter standby state; it will automatically turn off after 2 minutes of standby.

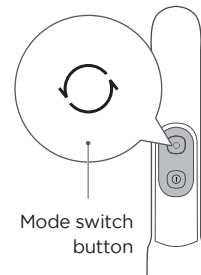


Self-cleaning + Drying Function

⚠ Caution

- During the air-drying process, the machine does not charge. After the air-drying is complete, it automatically enters the charging state. It is normal for the machine to indicate low battery after air-drying in a low battery state.
- In the air-drying mode, to improve the drying effect, the rolling brush will rotate every 2 minutes with a "drip" sound, which is a normal phenomenon.

1. When the machine is in charging state, short press the self-cleaning button to activate the self-cleaning and self-drying mode. During the self-drying process, the roller brush rotates for 30 seconds for centrifugal drying, followed by the low-speed operation of the fan for 90 minutes to properly dry the roller brush and pipeline.
2. When the machine is in charging state, long press the mode switch button for 3 seconds to directly enter the self-drying mode.
3. To stop the self-cleaning or self-drying, press the self-cleaning button again.
4. After the self-cleaning is completed, please clean the wastewater tank in time. If there are residual stains on the base, please clean them in time.



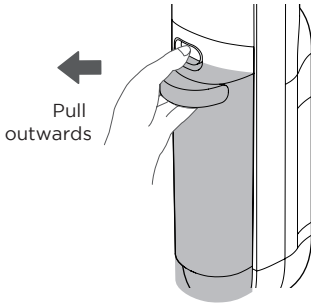
CLEANING AND MAINTENANCE

Waste Water Detect Alarm

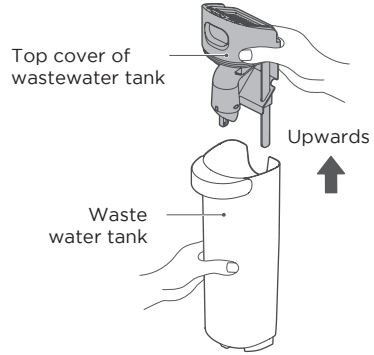
Attention

- After cleaning, it is recommended to place the machine upright in the charging base; do not place the machine in places with direct sunlight or moisture;
- In order not to affect the performance of the machine, it is recommended that you regularly maintain its parts;
- Before cleaning, please disconnect the power supply to stop the machine;
- Scrub with water or neutral detergent, wring out the cleaning cloth before scrubbing to avoid water leaking into the electrical components.

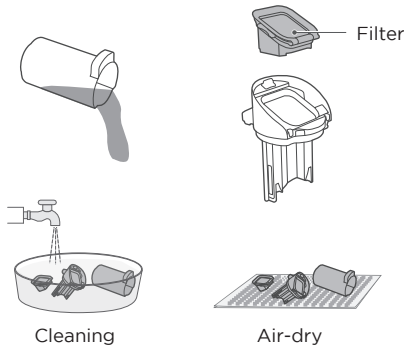
1. Press the button of wastewater tank with your thumb and pull outward to remove the tank.



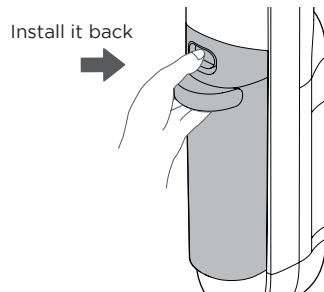
2. Hold the tank with one hand and pull out the top cover of the tank with the other hand.



3. Dump the sewage from the side of the sewage tank and rinse it clean; remove the filter from the top cover of the sewage tank, rinse it clean, and air-dry it.



4. Install the wastewater tank back to the machine until there is a click sound; (when installing wastewater tank, it is recommended to hold the body with another hand to avoid tipping over).



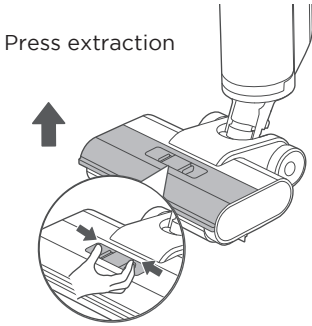
Brush-roll and Cover Cleaning



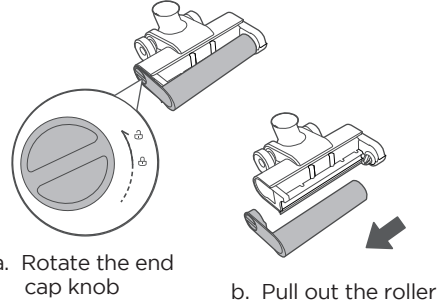
Attention

- It is recommended that after each use, the roller brush and cover should be cleaned and dried in time;
- If residual stains are found on the suction surface of the floor brush, wipe it with a wet cloth. Do not rinse it with water.

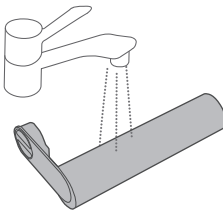
1. Press the buckle as shown in the diagram to remove the floor brush cover;



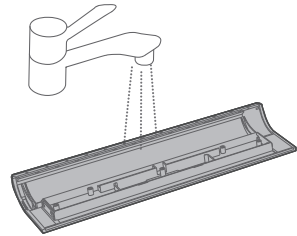
2. Rotate the end cap knob as shown in the diagram and pull out the roller brush sideways;



3. If there is still hair or other debris tangled on the roller brush after self-cleaning, remove the tangled debris from the roller brush; for heavy-duty cleaning (such as tomato sauce, soy sauce, etc.), if there is still dirt residue on the roller brush after self-cleaning, it can be self-cleaned again or the roller brush can be removed and cleaned with water;

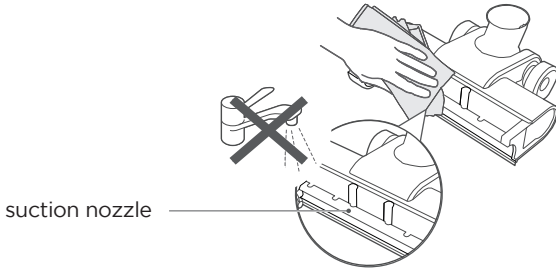


4. If there is residual dirt on the roller brush cover after self-cleaning, rinse the roller brush cover with water.

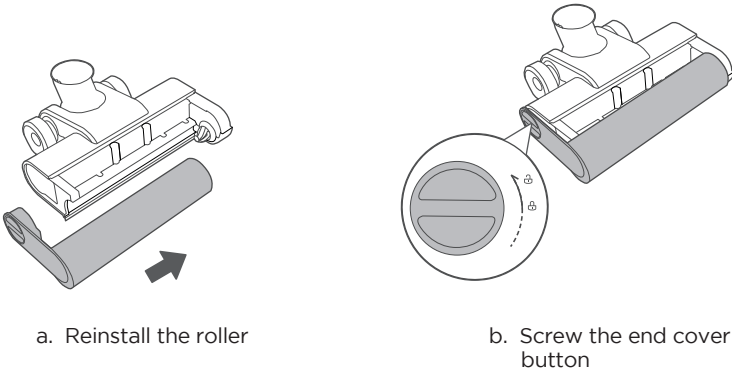


Brush-roll and Cover Cleaning

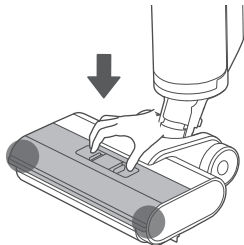
5. If there are any residual stains on the suction nozzle (the part exposed after removing the roller brush) after self-cleaning, please wipe it with a damp cloth instead of washing it with water.



6. After cleaning, reinstall the roller brush. If not in immediate use, you can place the roller brush in a ventilated area to dry before installation.



7. After cleaning, cover the floor brush, align it with the installation hole, press it down, and you will hear a click when it is successfully installed.



TROUBLESHOOTING

Please check the following table in case of any abnormal conditions when using the product.

Problem	Possible cause	Solution
The floor cleaner does not work	• The roller brush is entangled by hair or stuck by foreign objects	Remove the roller brush to clean and reinstall
	• Wastewater tank is full	Clean the wastewater tank
	• Low battery voltage	Charge
Suction power is weakened	• Roller brush, roller brush cover, or wastewater tank is not installed in place	Remove all components and reinstall them
	• The filter screen above the inside of the sewage tank is dirty	Use after cleaning the filter screen
	• Floor brush suction or pipe blockage	Wipe the floor brush suction and clean the pipe under the air duct
	• Roller brush is entangled by hair	Clean the roller brush
	• Wastewater tank filter is dirty	Clean the filter and dry thoroughly before installation
Noise when the fan is running	• Foreign matter in the suction port of the floor brush or in the pipe	Wipe the suction port and clean the pipe under the air duct
	• Wastewater tank is full	Clean the Wastewater tank
Floor brush doesn't spray water	• Water shortage in clean water tank	Add water to the clean water tank
	• Clean water tank is not installed properly	Reinstall the clean water tank
Air outlet leaks water	• Wastewater tank filter is cleaned and not dried after use	Clean the filter and dry thoroughly before installation
Water leakage at the bottom of floor brush	• Wastewater tank or filter isn't installed	Install wastewater tank and filter



According to Waste of Electrical and Electronic Equipment (WEEE) directive, WEEE should be separately collected and treated. It at any time in future you need to dispose of this product please do NOT dispose of this product with household waste. Please send this product to WEEE collecting points where available.

comfee'
... is how i feel !

Contact information
Facebook : Comfee Thailand
Line : @comfeethailand
Website : www.feelcomfee.com/th
Customer service: 02-511-7888

