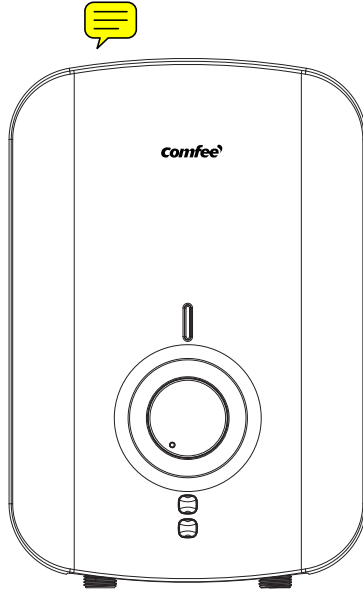


Comfee®



The diagram above is just for reference. Please take the appearance of the actual product as the standard.

Instant Electric Water Heater

Instruction Manual

Model: CWH-45MVNTH(W)-WS

CWH-38MVNTH(W)-WS

Thank you very much for purchasing our water heater.
Before installing and operating your water heater, please
read this manual carefully and keep it for future reference.

Sincerely thank you for selecting our electric water heater. Please read this manual carefully before use; correctly grasp the methods for installation and use of this electrical water heater, to make full use of its excellent performances. Please do preserve the instruction manual for future reference.

TABLE OF CONTENTS

<u>TITLE</u>	<u>PAGE</u>
1.Cautions	(2)
2.Product introduction	(3)
3.Unit installation	(5)
4.Methods of using	(8)
5.Maintenance	(9)
6.Troubleshooting	(10)

1. CAUTIONS

To prevent personal injury, injury to others and property damage, the instructions below must be followed. Incorrect operation due to failure to follow instructions will cause harm or damage.

Special Cautions

- This water heater is for household, and it can be installed wherever place that need hot water.
- Plug is not used for this water heater; this water heater must be connected directly with power switch that comes with leakage-protection. Please distinguish live line (red/brown), neutral line (blue) and earth line (green/yellow) during installation.
- Do check whether the amperes of the household wiring enough before installation, and dedicated circuit must be used when installation.
- Before installing this water heater, check and confirm the earth electrode on the socket is reliably earthed, without electricity.
- The hot water from the water heater may cause scald, please test the temperature of the hot water before use.
- The distance between water heater installed and water output should be as nearby as possible to avoid loss of heat.
- The electric water heater may be damaged if the water hardness is too high. To ensure longer product lifespan, please install and put it into use on condition that the local water hardness is less than 450mg/L (CaCO₃)
- In time of lightning/thunder, switch "Off" the Miniature Circuit Breaker (MCB) in advance to protect the water heater against possible damage.
- Inspection on the built-in ELCB (once a month) to avoid a hazard to users such as damage to property, serious injury or death.
- Do cut-off power supply before any maintenance. Any maintenance or adjustment towards this product by non-professional is highly prohibited.
- The damage power cord must be replaced by a good power cord provided by the manufacturer, and the replacement should be done by a qualified technician or engineer or professionals of the similar products.
- In order to avoid a hazard due to inadvertent resetting of the Earth Leakage Circuit Breaker (ELCB), this appliance must not be supplied through an external switching device, such as timer or connected to a circuit that is regularly switched "On" and "Off" by the utility.
- Water heater is equipped with adjustable flow capacity safety valve. For safety use, please do not change its installation location and do not block its water outlet.
- For any improper installation and incorrect operation of this product, our company will not be liable for any responsibility.
- This water heater can be used for other purpose, eg. Washing hands, dishes or foods, and so on. (Multi directional water supply is not available).
- Children being supervised not to play with the appliance.
- The appliance is not to be used by persons(including children) with reduced physical, sensory or mental capabilities, or lack of experience and knowledge, unless they have been given supervision or instruction. When they are using this product, the concern person is kindly requested to pay attention and check the shower temperature by using hand from time to time.



WARNING

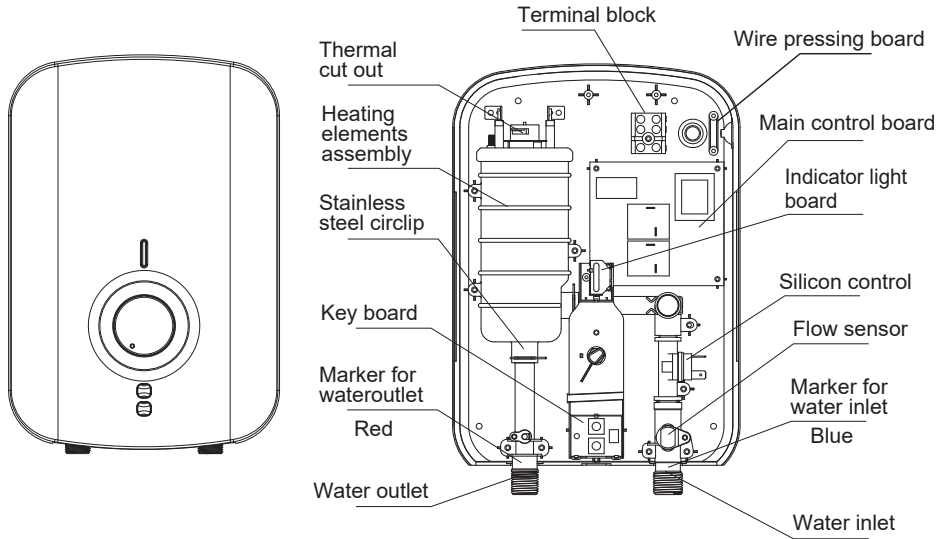
The water heater should be earthed before use. Please ensure that the resistance of household earth wire is $<4\Omega$. Using water heater without earthed is highly prohibited.

2. PRODUCT INTRODUCTION

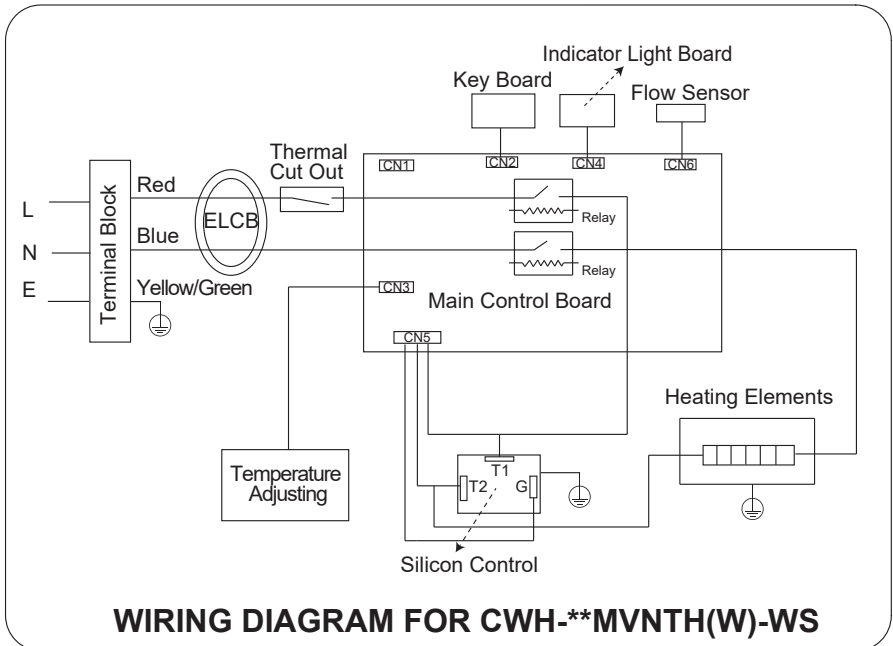
2.1 Technical Performance Parameters

Model	CWH-45MVNTH(W)-WS	CWH-38MVNTH(W)-WS
Rated Voltage	220V~	220V~
Rated Frequency	50Hz	50Hz
Rated Power	4500W	3800W
Rated Current	20.5A	17.3A
Dia. Of Wire Code	2.5 mm ²	2.0 mm ²
Air Switch	≥25A	≥20A
Rated Pressure	0 MPa	
Minimum Flow Rate	1.2 Liters/minute	
Minimum Pressure	0.02 MPa	
Maximum Pressure	0.3 MPa	
Protection Class	I	
Water Proof Class	IP25	
Products Size(W×D×H)	224×93×330 mm	
Water Pump	No Pump	No Pump

2.2 Parts Identification



2.3 Internal Wire Diagram



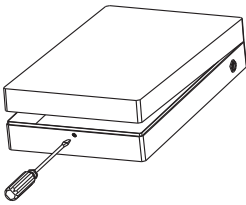
3. UNIT INSTALLATION

3.1 Installation Instruction

- ① Check the capacity of power circuit;
- ② Power cord installation;
- ③ Water heater installation;
- ④ Plumbing connection;
- ⑤ Power supply connection;
- ⑥ Water Supply.

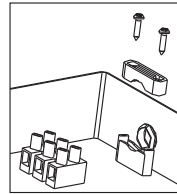
3.2 Power Cord Installation

Step 1



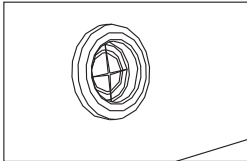
Remove the screws at the bottom of the unit. Lift up the Main Switch Knob and Power Knob to make it free. Remove the front plate gently.

Step 2



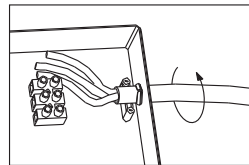
Remove the power cord wire pressing plate and keep the screws.

Step 3



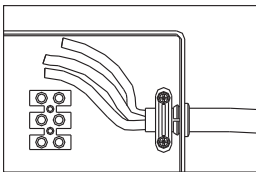
Gash the middle of the film of the power cord jacket with a sharp knife in order to put into power lines.

Step 4



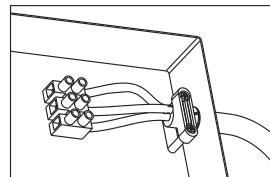
Screw the power cord into the jacket for installation of wire pressing plate.

Step 5



Tighten the wire-pressing plate with screws to primary position, ensure that the power cord not be pulled out more than 60N.

Step 6



Connect the power cord to wiring terminals; the method is as shown in picture.

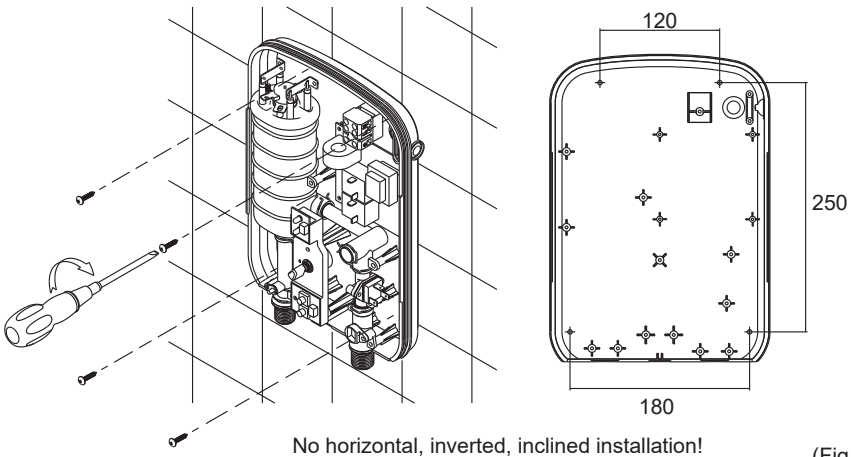


NOTE

The installation position of neutral line (blue), live line (brown/red) and earth line (green/yellow) should be corresponding to the other end on wiring terminals.

3.3 Water Heater Installation

- ① Determine installation position of the unit according to length of power cord / position of air switch (Distance between bottom and floor should be $\geq 1.6\text{m}$).
- ② Make sure the distance between the unit and surrounding wall is not less than 300mm, so that to have enough space for maintenance purpose.
- ③ Determine the position of four fixing screws (attached with the unit), make four holes with corresponding depth in the wall by means of a drill and drive a wall plug into the hole.
- ④ Drive in the screws on the top and ensure certain distance between screw head and wall (See Fig.1)
- ⑤ Mount the unit on the wall and tighten with two screws at bottom, connect the wires and install top cover with the screws.



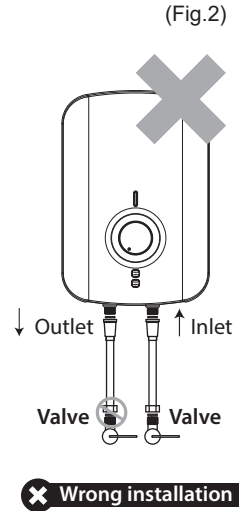
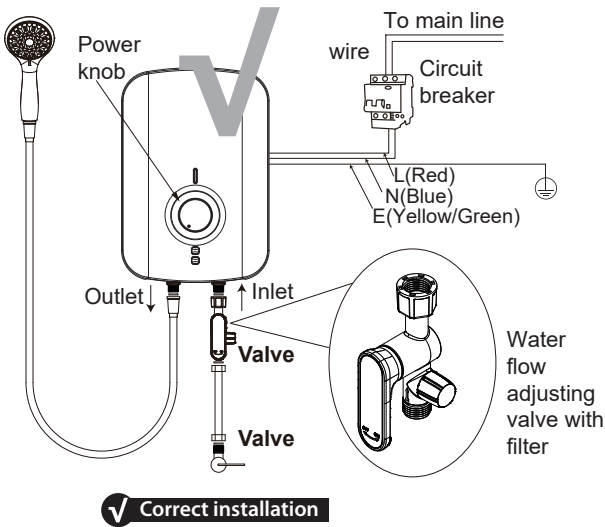
3.4 Plumbing Connection

- ① Water valve with filter should be installed at water inlet of the unit, sealing ring with filter should be used at end face. (See Fig.2).
- ② Shower flexible tube should be connected with water outlets and shower head separately, attached sealing ring should be used at end face.



WARNING

Metallic / chromed hose and conductive control valve shall not be used.



NOTE

It is prohibited to close the water outlet using a valve or restrict water flow by other means or devices. The water outlet should always remain opened ensuring free continuous to avoid the water heater damage, leakage and security incidents ! Water flow adjusting valve with filter must be used when install the unit. Blue marker stands for water inlet, red marker stands for water outlet. Do not overexert to avoid damaging the water heater.

3.5 Power Supply Connection

- ① Adjust power selection knob to "OFF";
- ② Choose air switch with leakage protection according to power of water heater;
- ③ When connecting the water heater to electric network, please pay attention to connect live line (red/brown), neutral line (blue) and earth line (yellow/green) with corresponding line in electric network.



NOTE

A private power cord should be used for this unit. After connecting to electric network, please check the earth condition and make sure the earth resistance is $<4\Omega$.

3.6 Water Supply

After all the plumbing is finished connecting, open water inlet valve of the product and supply water to the unit to drain away air inside until there is stable water flow comes out from shower head. Check whether there is leakage at joints or not. If there is, check whether the connecting parts are fastened or not, then re-supply water.



WARNING

That the outlet must not be connected to any tap or fitting other than those specified.

4. METHODS OF USING

4.1 Operating Of The Unit

Switch on the power supply, the unit will take self-inspection for 2s, The indicator light will turn blue (under the condition of no electricity leakage). When the water flow exceeds 1.2L/min, rotate the knob clockwise to switch on heating power rotate switch, the indicator light will turn white ,the unit start to work.

4.2 Leakage Testing

When the water heater is working normally (including working state of PUMP), press TEST button, if the leakage test circuit is no problem, the indicator light will be off, and the unit will not heat. Press RESET, testing will be canceled, and indicator light will turn blue or white, the unit will be back to working state set before. If the circuit leaks, press RESET button can't cancel leakagetesting, the indicator light keeps off, it means the water heater has problems and can't be used; all the buttons are invalid, the indicator lights are all off, heating is stopped, and pump will be closed.

4.3 To Adjust Water Flow

Rotate the handle of water flow adjusting valve to adjust the water flow.

4.4 Electricity Leakage Protection

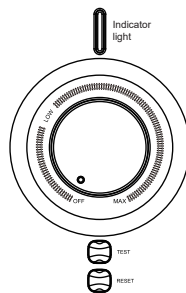
When the electricity leakage testing circuit is working normally, if the leakage current is bigger than certain value between 7.5mA and 15mA, the indicator light will keep flickering, no heating; it can only be used after the failure is excluded. (When electricity leakage is tested, red and green indicator lights are all off, stop heating)

4.5 To Adjust Water Temperature

Rotate the handle of water flow adjusting valve to adjust to proper water flow. Adjust power by rotating knob, clockwise rotate, power will be increased and water temperature increase accordingly or vice versa.

4.6 Use After Overheating Protection

If the water flow is small and power is high while using the unit, outlet water temperature is rather high; the unit will stop heating automatically. At this time, please lower the power and adjust the water flow faster in order to avoid inconsistency of water temperature.



NOTE

For first time using, ensure electrify after the unit is filled fully with water and there is stable water flow comes out from shower head.

The electric water heater may be damaged if the water hardness is too high. To guarantee the normal service life, please install and put it into use on condition that the local water hardness is less than 450mg/L (CaCO₃).

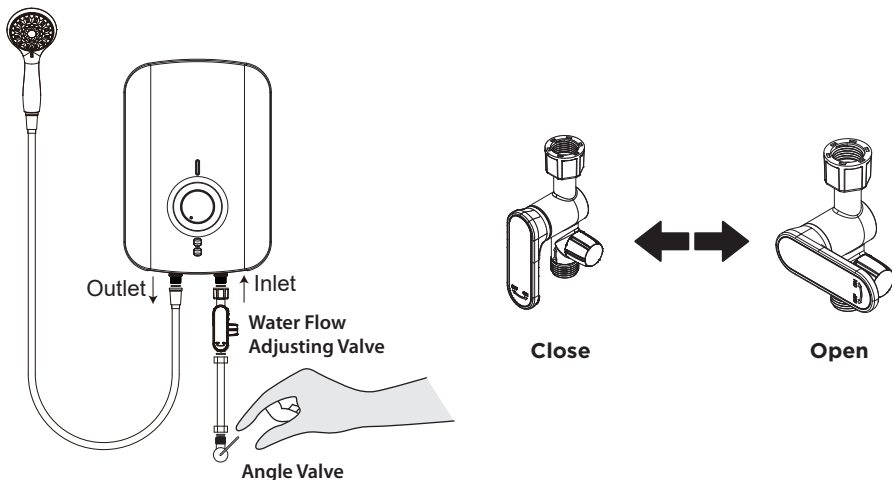


NOTE

1. When the water inlet temperature is too low, or the voltage is too low, it may not reach the set temperature because the total power is limited, in this situation, please turn the water flow down to reach your desired water temperature.

2. If you use the water heater every day, you don't need to turn off the angle valve and the air switch every time, and the temperature knob doesn't need to turn off counter clockwise every time. You just need to close the flow adjusting valve after using the water heater every time.

(It is not necessary to open the angle valve to the maximum position. When the flow adjusting valve is opened to the maximum position, close the angle valve to the right position for the water flow. In the future, it is not necessary to adjust the angle valve every time.)



5. MAINTENANCE

- This electric water heater should be installed at the place without sunshine or rain spray. Please cut off power supply if not use for long time.
- Please blow down the water for about 10 seconds to drain away the impurities in the pipe before connecting the water source to the electric water heater to avoid blockage of water heater.
- If long time no use the unit, check the water heater first before use. Electrify after the water flows out stably.
- Do not spray water to air switch or heater body directly, to avoid moist.
- Please cut off the power in the weather of thunder and rain to avoid damaging the water heater.
- If not use for long period of time, please cut off water inlet to prolong the lifespan of the water heater.
- Check the power cord connecting terminals frequently to make sure that they are well and reliably contacted, no overheating phenomenon, and grounding is good or not.
- Used with spray head, disassembly shower head and sealing ring with filter to descaled regularly.

DECLARATION: this water heater can only be maintained by authorized service personnel, incorrect installation and using method may cause serious injury or loss of property.



WARNING

Do cut off power supply before maintenance, to avoid danger like electric shock.

6. TROUBLESHOOTING

SYMPTOMS	REASONS	SUGGESTIONS
Switch on the power supply, indicator light is off.	<ol style="list-style-type: none"> 1. Power supply error; 2. PCB error; 3. Thermal cut out acts; 4. Electricity leaks. 	<ol style="list-style-type: none"> 1. Check whether power is cut 2. Contact authorized service personnel for repair.
Outlet water is cold.	<ol style="list-style-type: none"> 1. Switch is off; 2. Heating element error; 3. PCB error; 4. Water pressure is too low, can't start the unit. 	<ol style="list-style-type: none"> 1. Adjust the power higher. 2. Contact authorized service personnel for repair. 3. Start the water heater again when the hydraulic pressure is increased.
No water flows out from the shower head.	<ol style="list-style-type: none"> 1. The running water supply is cut off; 2. The inlet valve of running water is not open. 	<ol style="list-style-type: none"> 1. Wait for restoration of running water supply; 2. Open the inlet valve of running water.
Outlet water temperature sometimes is hot, sometimes is cold.	<ol style="list-style-type: none"> 1. Water pressure is not stable. 2. Outlet water temperature is too high, overheating protection again and again. 	Adjust the heating power lower, make the water flow bigger.
Close water valve, the heating indicator light is still on.	Water flow switches error.	Contact authorized service personnel for repair.
Press TEST, indicator light is off; press RESET button, the indicator light is still off.	Electricity leaks.	Contact authorized service personnel for repair.

The product is subject to change without notice.
Please keep this manual properly.

Wuhu Midea Kitchen & Bath Appliances Mfg. Co., Ltd.

Address: East Road Wanchun, East Area Economic & Technological
Development Area, Wuhu City, Anhui Province, P.R.China.

Web site: www.midea.com/global Postal code: 241000